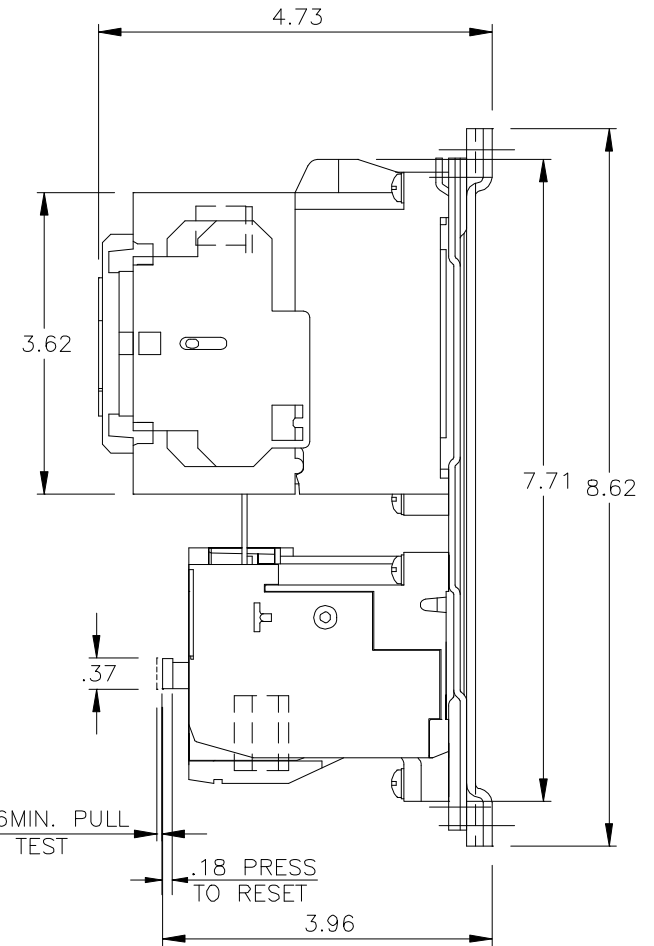
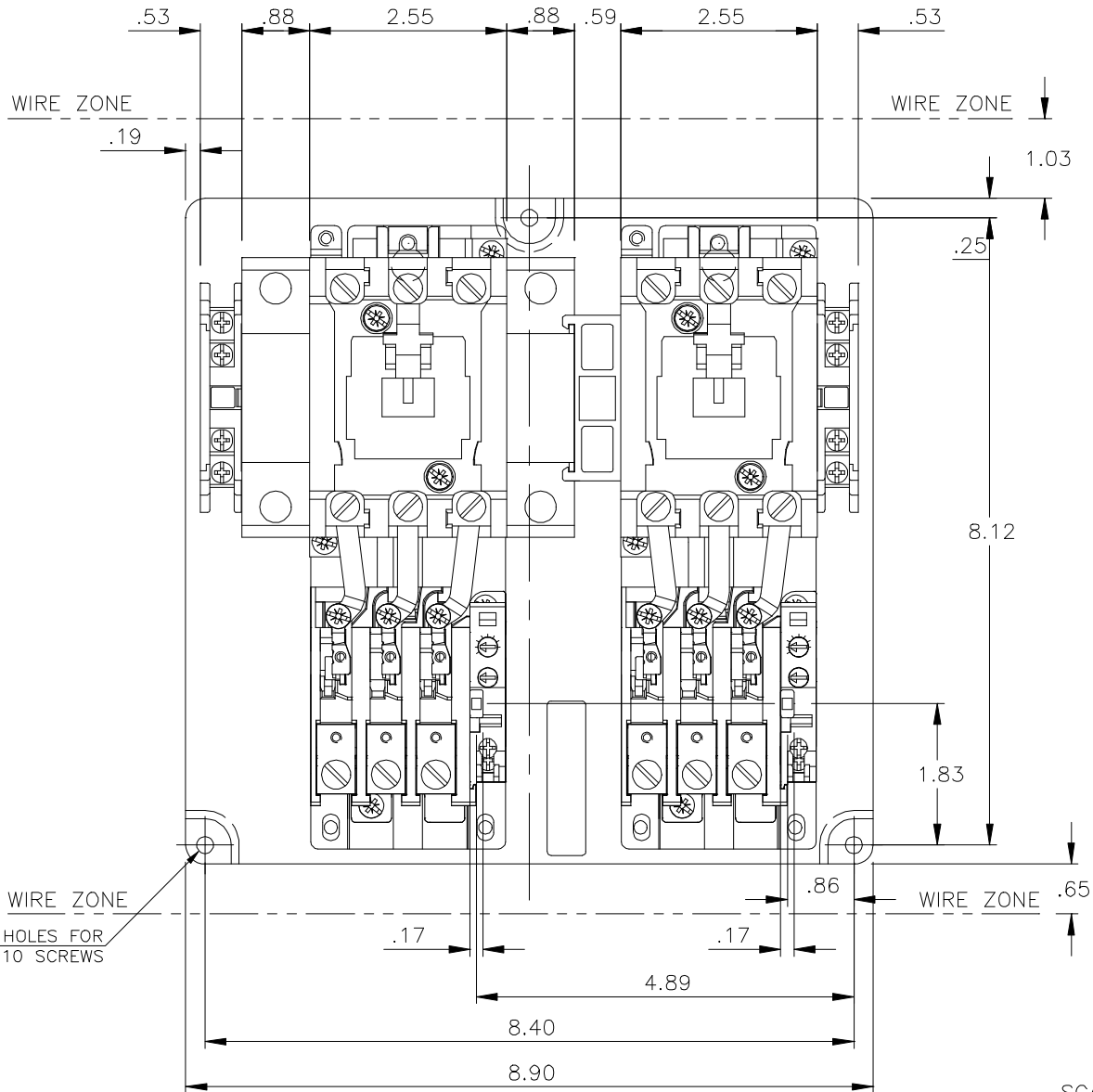


B 84-29081



THE INFORMATION ON THIS DRAWING IS THE PROPERTY OF EATON CORPORATION. IT IS DISCLOSED IN CONFIDENCE AND IS NOT TO BE REPRODUCED, USED OR DISCLOSED EXCEPT FOR THE PURPOSE FOR WHICH FURNISHED.

MTG. HOLES FOR (3) #10 SCREWS

TITLE DIMENSIONS FOR SIZE "2" MULTISPEED STARTER (2 SPEED, 1 WINDING)

A					DR. M. GOSKOWICZ	8-26	APP.
B					CHK.	-96	FIRST ASSY. WHERE LISTED AN700GNO #2
C							
D							
E							

SCALE: 1=1.53
THIRD ANGLE PROJECTION

