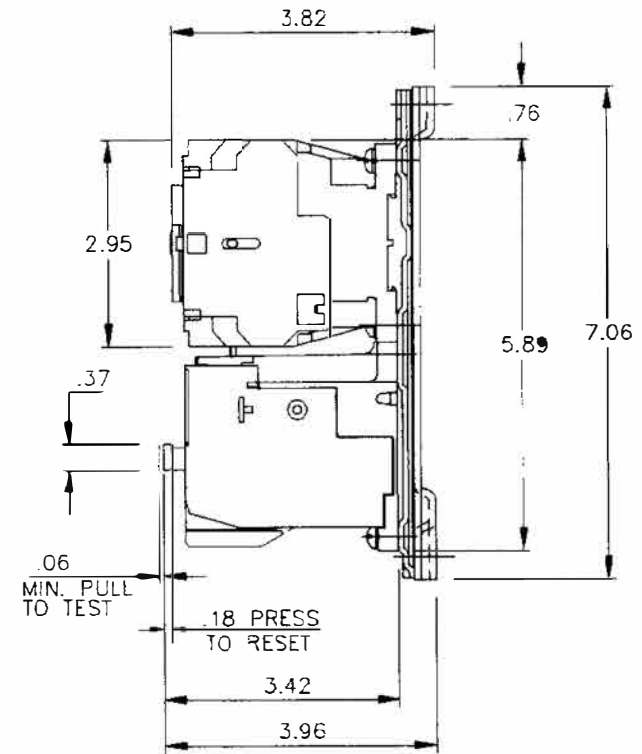
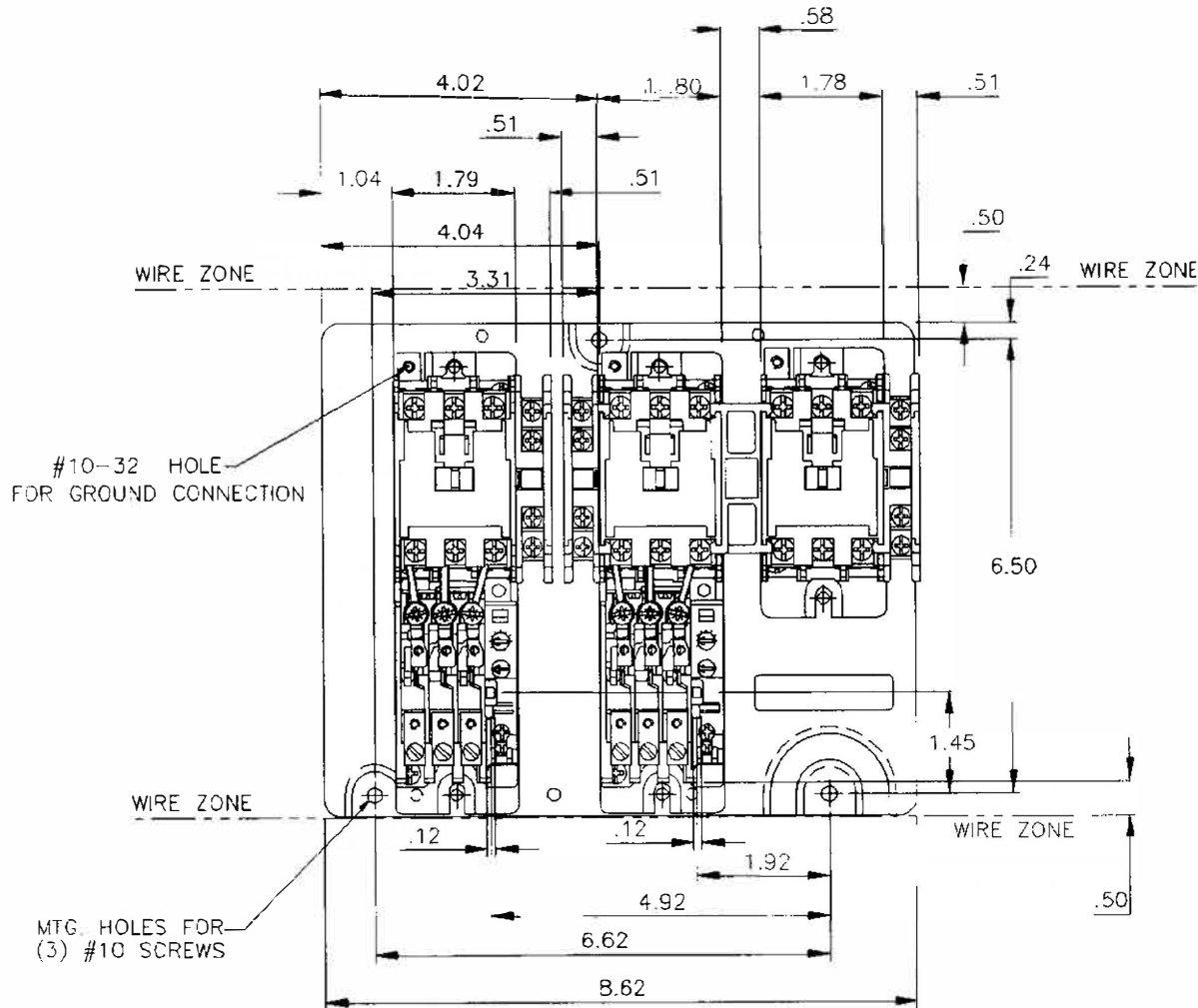


B 84-29079



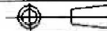
THE INFORMATION ON THIS DRAWING IS THE PROPERTY OF LAYON CORPORATION, IS DISCLOSED IN CONFIDENCE AND IS NOT TO BE REPRODUCED, USED OR DISCLOSED EXCEPT FOR THE PURPOSE FOR WHICH FURNISHED.

TITLE DIMENSIONS FOR SIZE "O" MULTISPEED STARTER (2 SPEED, 1 WINDING)

A			DR	M. GOSKOWICZ	8-96	APP.
B			CHK.		-96	
C						FIRST ASSY WHERE LISTED
D						AN700BNO #2
E						

SCALE: 1 = 1.75

THIRD ANGLE PROJECTION



EATON