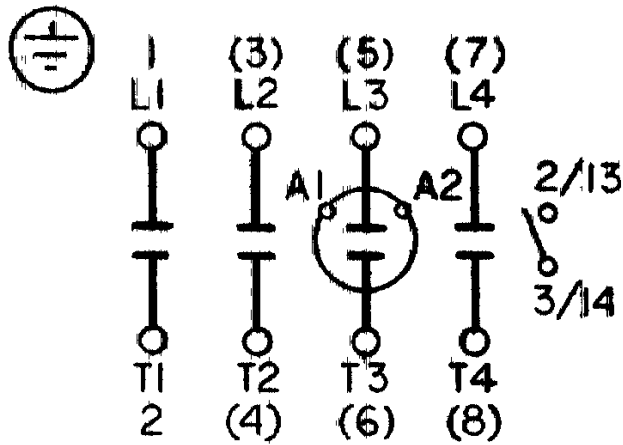
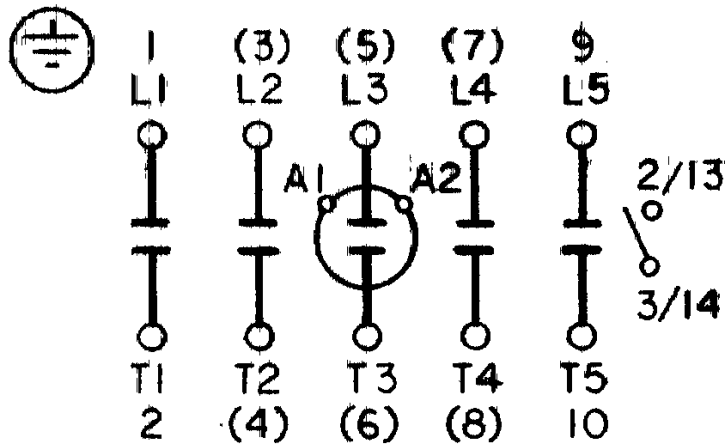


4 POLE



5 POLE



4 AND 5 POLE NEMA SIZE 1, 1 3/4 AND 2 CONTACTORS

	APPROVAL	WIRING CHANGED INTERNAL EXTERNAL	DRAWN E. B. TAL	7-21-87	ENGR APP. <i>W. A. Schubring</i>	9/21/87
A			CHECKED		SUPR APP	
B			SUP NO	E.T.N 256347 D1		
C			SUP BY NO			
D			PANEL NO			
E			BUL NO			
F			GROUP NO 15			
G			ORDER NO DV23-4545-10			