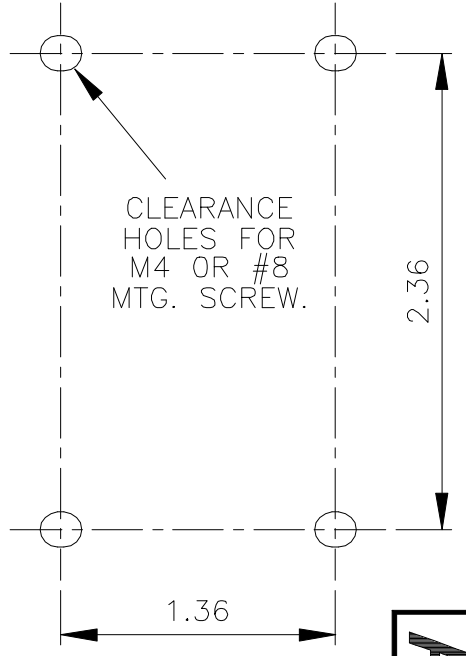
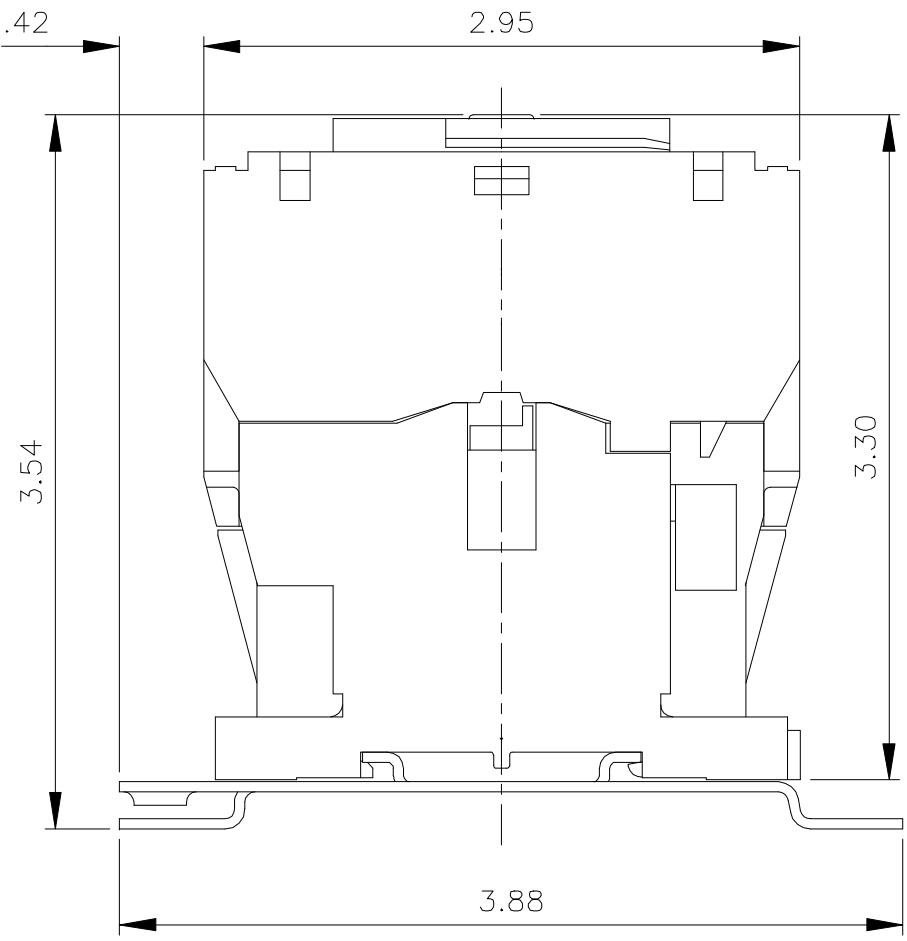
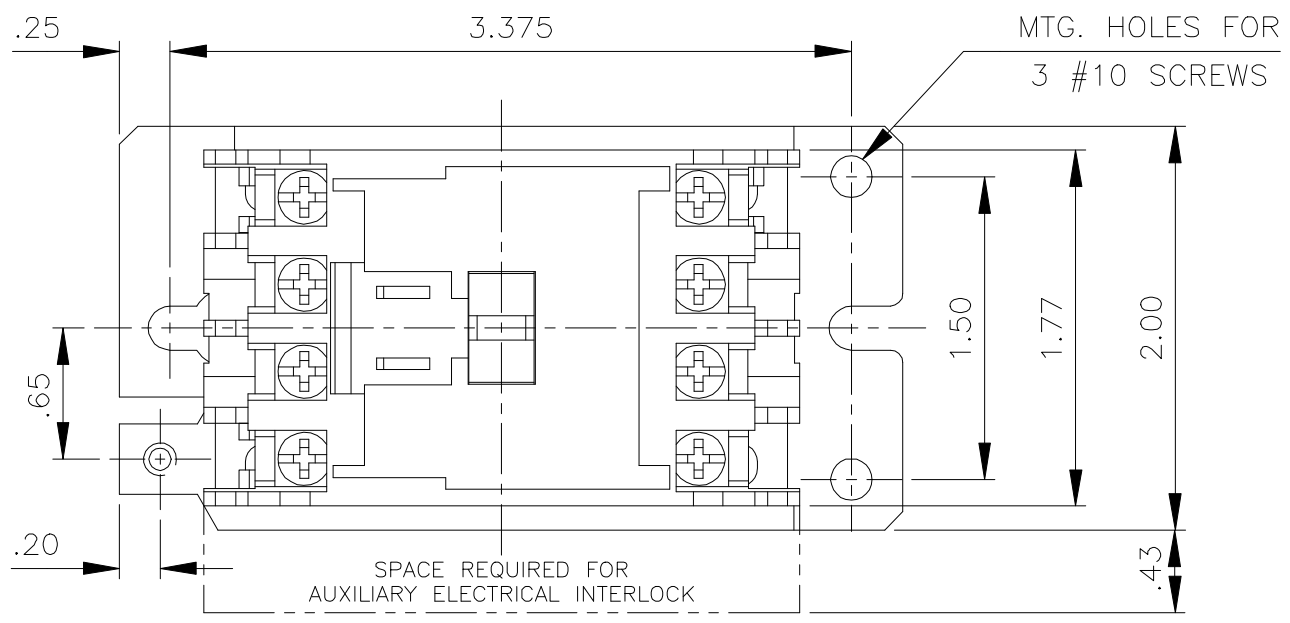


THE INFORMATION ON THIS DRAWING IS THE PROPERTY OF EATON CORPORATION, IS DISCLOSED IN CONFIDENCE AND IS NOT TO BE REPRODUCED, USED OR DISCLOSED EXCEPT FOR THE PURPOSE FOR WHICH FURNISHED.



MTG. HOLES OF CONTACTOR W/O MTG. PLATE

MAIN TERMINAL
2 WIRE MAX PER TERMINAL
#12-#16 AWG CU SOLID OR STRANDED.

CONTROL OR COIL TERMINAL
1 WIRE MAX PER TERMINAL
#12-#16 AWG CU SOLID OR STRANDED.

A 10-6876

COMPUTER GENERATED TRACING - .DWG

FILE IN H-65

DV13-6254-10

TITLE DIMENSIONS FOR 45MM CONTACTOR - 4 POLE

DR.	J. SIEBENLIST	10-08-91	APP.
CHK.	J. SIEBENLIST	10-08-91	FIRST ASSEM. WHERE LISTED D10-6597

A					D			
B					E			
C					F			

