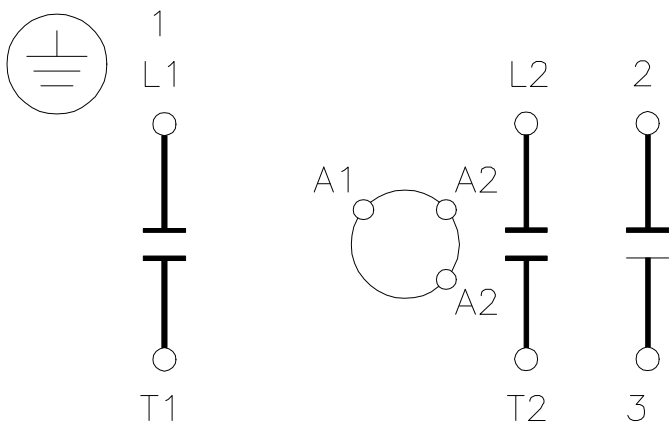
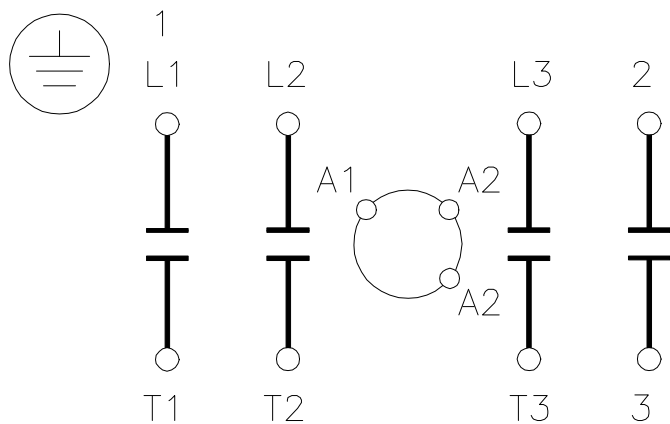


THE INFORMATION ON THIS DRAWING IS THE PROPERTY OF EATON CORPORATION. IS DISCLOSED IN CONFIDENCE AND IS NOT TO BE REPRODUCED, USED OR DISCLOSED EXCEPT FOR THE PURPOSE FOR WHICH FURNISHED.

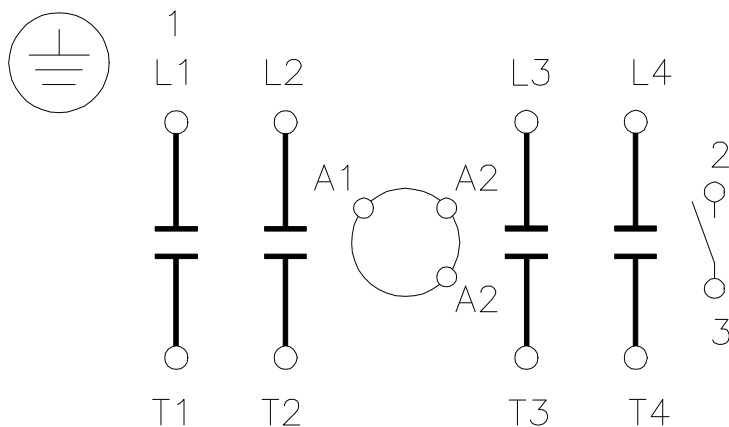
2 POLE




3 POLE



4 POLE



2, 3, AND 4 POLE NEMA SIZE "00" CONTACTORS

	APPROVAL	WIRING CHANGED		DRAWN BY M.STEHLING	4-7-86	ENGR. APP. E.M.WAGNER	5/14/86
		INTERNAL	EXTERNAL				
A	JRR ^{DMR} ₈₋₂₁₋₉₀	NO	NO	CHECKED BY		SUPR. APP. F.R.BONESS	5/22/86
B	JRR ^{RF} ₆₋₆₋₉₁	NO	NO	SUP. NO.	 255739 D1 COMPUTER GENERATED TRACING - .DWG		
C	JHJ ^{JHJ} ₇₋₂₉₋₉₆	NO	NO	SUP. BY NO.			
D				PANEL NO.			
E				BUL. NO.			
F				GROUP NO.			
G				ORDER NO. DV13-4048-10	COMPUTER GENERATED TRACING - .DWG		