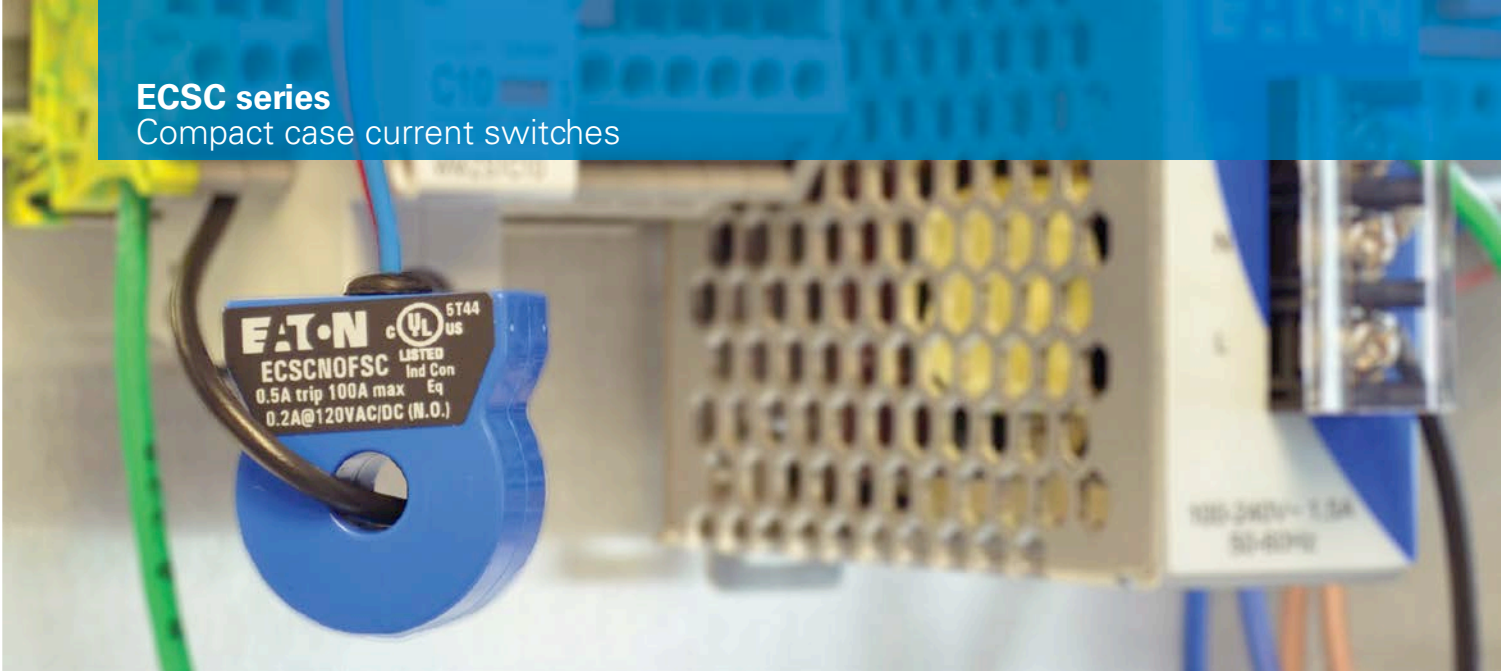


## ECSC series

Compact case current switches



# Current sensing switch in a compact package

Eaton's CurrentWatch™ ECSC series is a family of current-operated switches that feature a compact package. The ECSC series saves space and reduces cost for applications where larger switches would be underutilized.



### Applications

- Independent monitoring of essential elements—monitor current flow to lights, heating coils, motors and other vital components within a system
- Local disconnects—double check a contactor's auxiliary contact, which can incorrectly indicate the absence of a load
- Control panels—indicates the presence or absence of current flow

### Features

- Switches AC or DC current
- AC current monitoring
- No power supply needed
- NO or NC models available

### Benefits

- Eaton quality
- Small size for easy mounting
- High performance
- Increased reliability and longevity
- Cost-effective
- Self powered

### Operation

The ECSC operates by inducting power from the monitored conductor that runs through the sensing hole. If the current exceeds the specified trip amperes, the switch will activate.

### Standards and certifications



# EATON

Powering Business Worldwide

## ECSC compact case current switches

Description	Specification
Power supply	Self powered—no power supply needed
Output	Magnetically isolated solid-state switch
Output rating	NO: 0.20 A at up to 120 Vac/Vdc NC: 0.15 A at up to 135 Vac/Vdc
Off-state leakage	<10 $\mu$ A
Response time	120 ms
Fixed set point	0.5 A AC
Hysteresis	Approximately 5% of 0.5 A trip point
Overload	6 sec at 500 A; 1 sec at 1000 A
Isolation voltage	UL® Listed to 1270 Vac, tested to 5000 Vac
Frequency range	50–400 Hz
Sensing aperture	Solid-core housings: 0.30 in (7.6 mm)
Housing	UL 94 V0 flammability rated
Environmental	Operating temperature: –4 to +122 °F (–20 to +50 °C)
Humidity	0–95% RH, noncondensing
Approvals	cULus Listed, CE

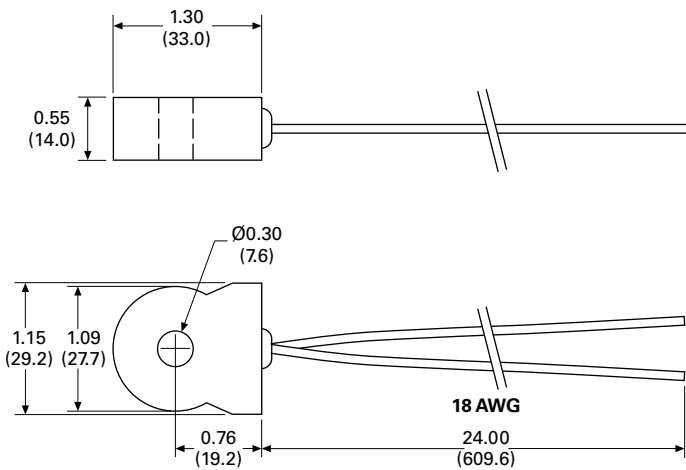


## Models available

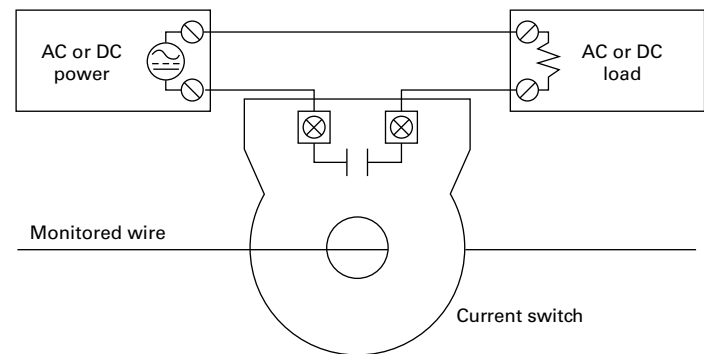
Description	Catalog number
Self powered, normally open (NO), 0.5 A trip, compact case	<b>ECSCNOFSC</b>
Self powered, normally closed (NC), 0.5 A trip, compact case	<b>ECSCNCFSC</b>

## Dimensions

Approximate dimensions in inches (mm)



## Wiring diagram



For more information, contact Technical Support at  
**1.800.426.9184 option 1**  
 or visit [Eaton.com/sensors](http://Eaton.com/sensors)