

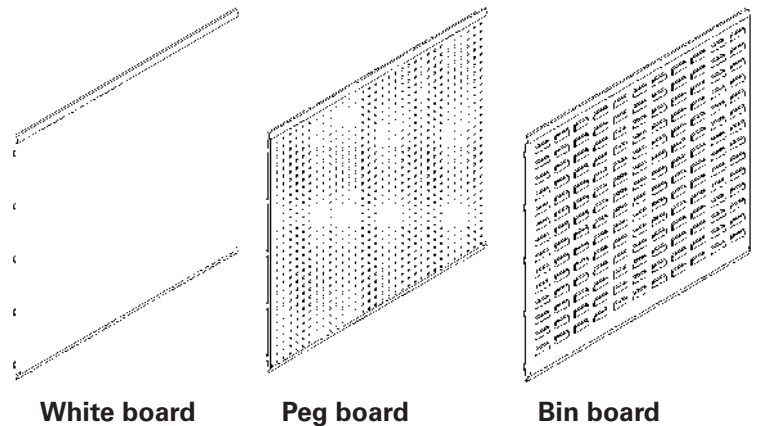
# White, peg and bin boards

## Tools required

- (1) Phillips head screwdriver
- (1) Flat blade screwdriver
- (1) Plastic mallet

**NOTE: White Boards, Peg Boards and Bin Boards** are provided in various widths and heights depending on the size of your TechOrganizer.

The 19" Boards can be installed in multiple vertical locations on the TechOrganizer frame.



## IMPORTANT

The Boards must be installed prior to any component which may extend across a portion of the board. The TechOrganizer frame must be properly attached to the Worksurface prior to panel installation.

1. Attach the steel **Mounting Channels** to the sides of the Organizer frame slotted standards by aligning the holes in the Channels with the pre-punched holes in the standards and securing them with the #8-32 x 3/8" Phillips pan head thread forming screws provided. See **Figure 1**. **NOTE:** Be sure that the embossed triangle at the end of each Channel is at the top.

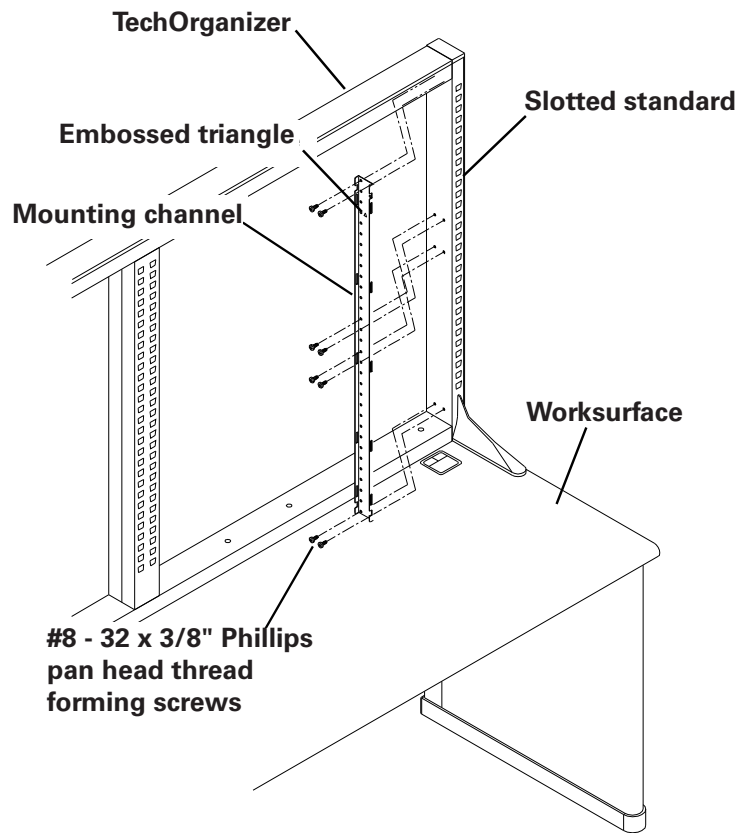


Figure 1



Powering Business Worldwide

2. Attach the Board panel to the Mounting Channels by inserting the panel hooks into the rectangular slots in the Mounting Channels. See Figure 2. Ensure that the Board panel is fully seated onto the Mounting Channels. Use a flat blade screwdriver as a lever or a plastic mallet as required.
3. Lock the Board in place by installing two #10-24 x  $\frac{3}{4}$ " Phillips pan head thread forming screws into the bottom of the panel. See Figure 2.

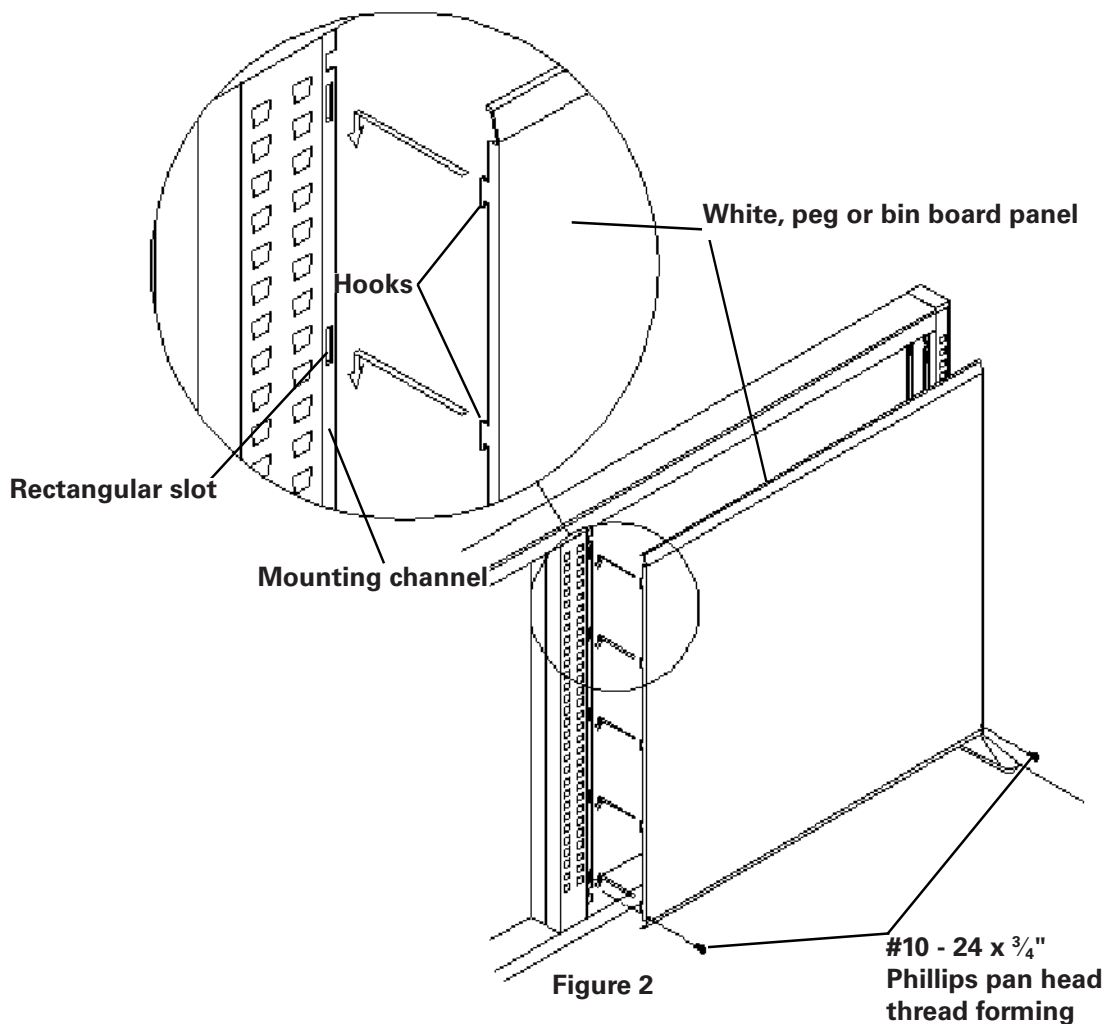
### **IMPORTANT**

The panel must be fully seated prior to installation of the screws.

**NOTE:** Use only *Dry Erase* markers on the **White Board** surface that erase with a dry cloth or eraser.

It may be necessary to use a cleaner to periodically clean the board and to fully erase certain markers.

Optional **Marker Trays** are available. Reference the Wright Line Spec. Guide.



# EATON

Powering Business Worldwide

## Parts List

Part no.	Description	Qty.
1	85100 White Board - 11.64" High x 20.92" Wide	1
	85101 White Board - 11.64" High x 26.92" Wide	
	85102 White Board - 11.64" High x 32.92" Wide	
	84902 White Board - 18.64" High x 20.92" Wide	
	84903 White Board - 18.64" High x 26.92" Wide	
	84904 White Board - 18.64" High x 32.92" Wide	
	84902 White Board - 19.10" High x 20.92" Wide	
	84903 White Board - 19.10" High x 26.92" Wide	
	84904 White Board - 19.10" High x 32.92" Wide	
	84905 White Board - 27.64" High x 20.92" Wide	
	84906 White Board - 27.64" High x 26.92" Wide	
	84907 White Board - 27.64" High x 32.92" Wide	
	84908 White Board - 31.64" High x 20.92" Wide	
	84909 White Board - 31.64" High x 26.92" Wide	
	84910 White Board - 31.64" High x 32.92" Wide	
	84925 White Board - 43.64" High x 20.92" Wide	
	84926 White Board - 43.64" High x 26.92" Wide	
84927 White Board - 43.64" High x 32.92" Wide		
2	6774X Peg Board - 11.64" High x 20.92" Wide	1
	6775X Peg Board - 11.64" High x 26.92" Wide	
	6776X Peg Board - 11.64" High x 32.92" Wide	
	6189X Peg Board - 18.64" High x 20.92" Wide	
	6190X Peg Board - 18.64" High x 26.92" Wide	
	6191X Peg Board - 18.64" High x 32.92" Wide	
	6192X Peg Board - 27.64" High x 20.92" Wide	
	6193X Peg Board - 27.64" High x 26.92" Wide	
	6194X Peg Board - 27.64" High x 32.92" Wide	
	6195X Peg Board - 31.64" High x 20.92" Wide	
6196X Peg Board - 31.64" High x 26.92" Wide		



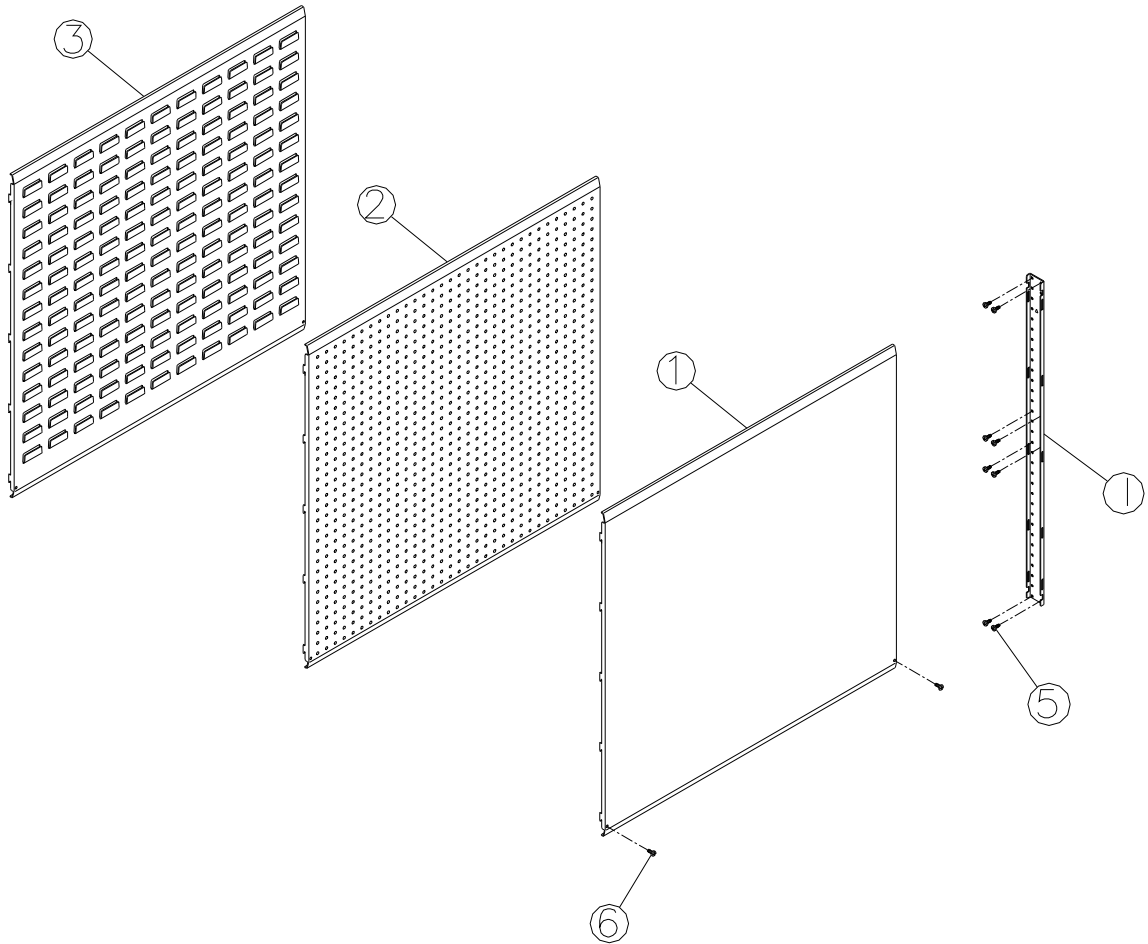
Powering Business Worldwide

## Parts list

Part no.	Description	Qty.
2	6197X Peg Board - 31.64" High x 32.92" Wide	1
	6198X Peg Board - 43.64" High x 20.92" Wide	
	6199X Peg Board - 43.64" High x 26.92" Wide	
	6200X Peg Board - 43.64" High x 32.92" Wide	
3	6782X Bin Board - 11.64" High x 20.92" Wide	1
	6783X Bin Board - 11.64" High x 26.92" Wide	
	6784X Bin Board - 11.64" High x 32.92" Wide	
	6201X Bin Board - 18.64" High x 20.92" Wide	
	6202X Bin Board - 18.64" High x 26.92" Wide	
	6203X Bin Board - 18.64" High x 32.92" Wide	
	6204X Bin Board - 27.64" High x 20.92" Wide	
4	6205X Bin Board - 27.64" High x 26.92" Wide	2
	6206X Bin Board - 27.64" High x 32.92" Wide	
	6207X Bin Board - 31.64" High x 20.92" Wide	
	6208X Bin Board - 31.64" High x 26.92" Wide	
	6209X Bin Board - 31.64" High x 32.92" Wide	
	6210X Bin Board - 43.64" High x 20.92" Wide	
	6211X Bin Board - 43.64" High x 26.92" Wide	
	6212X Bin Board - 43.64" High x 32.92" Wide	
	6127X 18.5" Mounting Channel	
6128X 27.5" Mounting Channel		
6129X 31.5" Mounting Channel		
6130X 43.5" Mounting Channel		
5	83645 #8-32 x 3/8" Phillips Pan Head Thread Forming Screws	varies
6	80023 #10-24 x 3/4" Phillips Pan Head Thread Forming Screws	



Powering Business Worldwide



**Eaton**  
1000 Eaton Boulevard  
Cleveland, OH 44122  
United States  
Eaton.com

© 2018 Eaton  
All Rights Reserved  
Printed in USA  
Publication No. IL210023EN  
May 2018

Eaton is a registered trademark.

All trademarks are property  
of their respective owners.