

TechBench Full Shelf

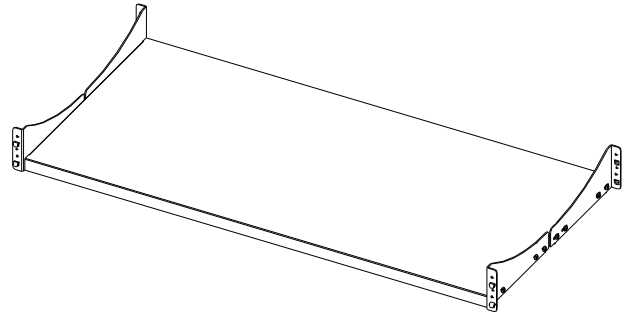
Tools Required

- (1) Phillips screwdriver (not supplied)
 - (1) Plastic mallet (not supplied)
1. Determine the location for the Full Shelf and attach the Brackets to the TechBench™ as shown in figure 1.

NOTE: Be sure that the Brackets are at the same level.

Tap the top of each Bracket with a plastic mallet to ensure that the hooks are fully seated.

2. Lock each Bracket in place using two #10-24 x 3/8" pancake phillips head screws (provided). See figure 2.



Linear TechBench™ Full Shelf

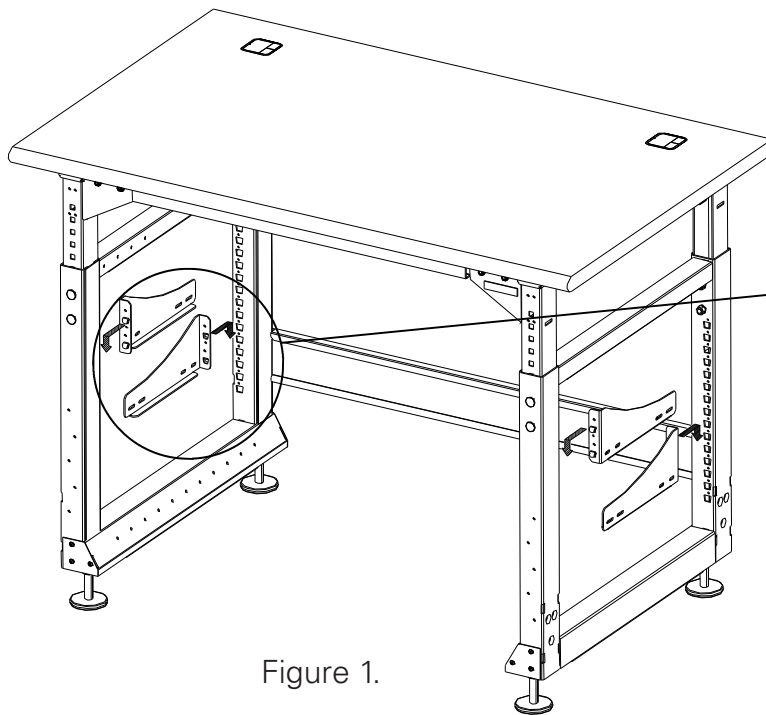


Figure 1.

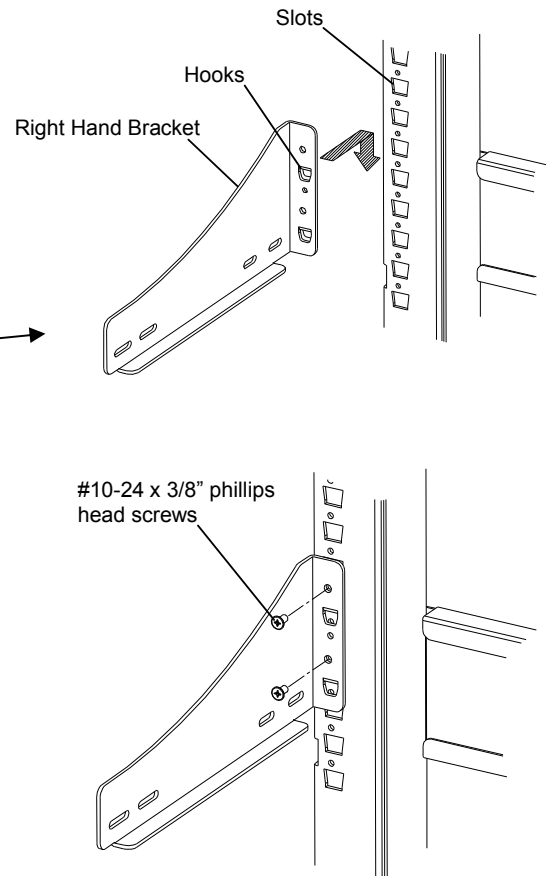


Figure 2.



Powering Business Worldwide

3. While Lower the Full Shelf onto the Brackets and align the holes in the sides of the shelf with the slots in the Brackets. Fasten the shelf to the Brackets using four #10-32 x 5/8" phillips head screws (provided) on each side. See figure 3.

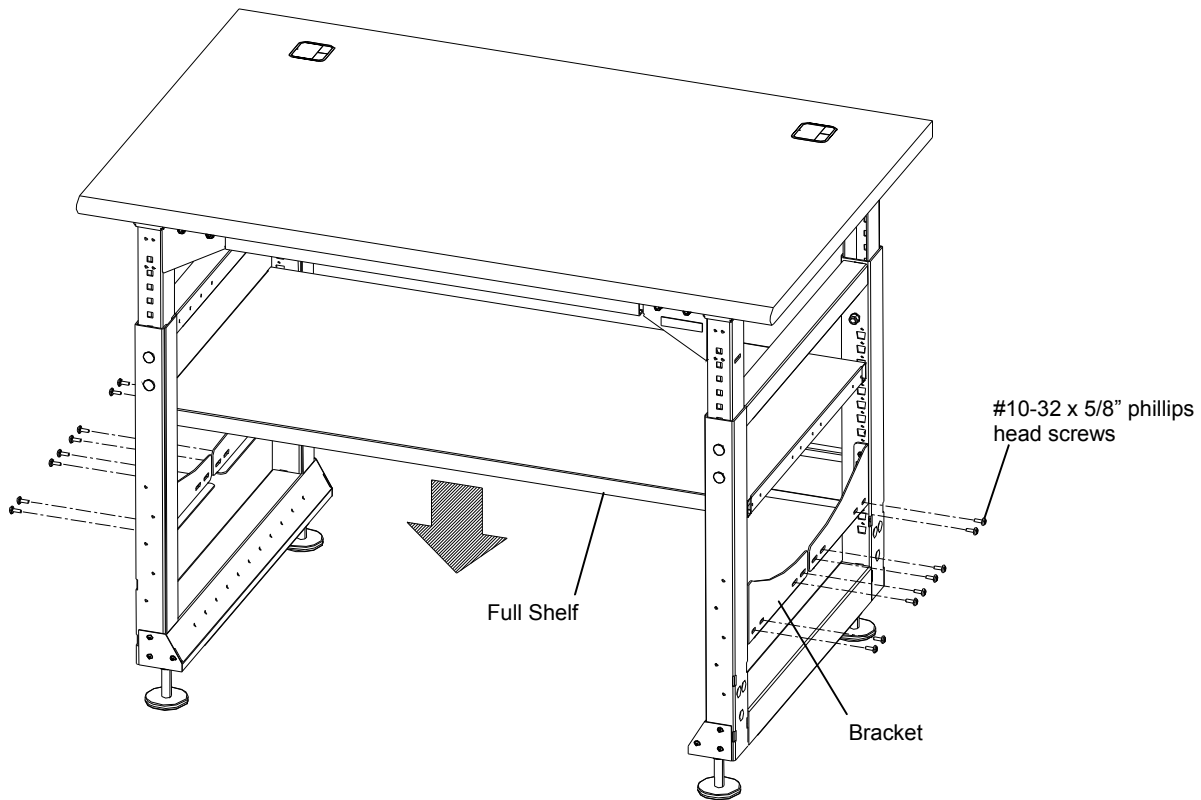


Figure 3.

Eaton
1000 Eaton Boulevard
Cleveland, OH 44122
United States
Eaton.com

© 2018 Eaton
All Rights Reserved
Printed in USA
Publication No. IL211025EN 91649
May 2018

Eaton
160 Gold Star Boulevard
Worcester, MA 01606
United States
800-225-7348
508-852-4300
Eaton.com/furniture

Eaton is a registered trademark.

*All trademarks are property
of their respective owners.

Follow us on social media to get the
latest product and support information.

