

TechOrganizer Connectors

Tools Required

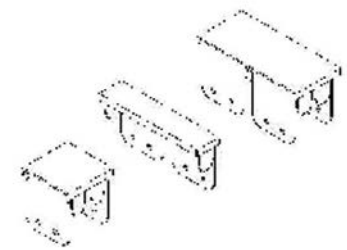
- Phillips head screwdriver

NOTE: The **TechOrganizer Connectors** are installed when it is desired to gang adjacent or back-to-back TechOrganizers together.

The units being connected must be the same height.

Connecting Adjacent Units

1. Position the two units to be connected side by side. Adjust the **Levelers** so that the tops of the TechOrganizer frames are even. See **Figure 1**.
2. Remove the plastic **End Caps** from the adjacent frames. See **Figure 1**.
3. Install the Connector as shown in **Figure 2**.
4. Lock the Connector in place using four #8-32 x 3/8" Phillips pan head thread forming screws provided. See **Figure 2**.



TechOrganizer Connectors

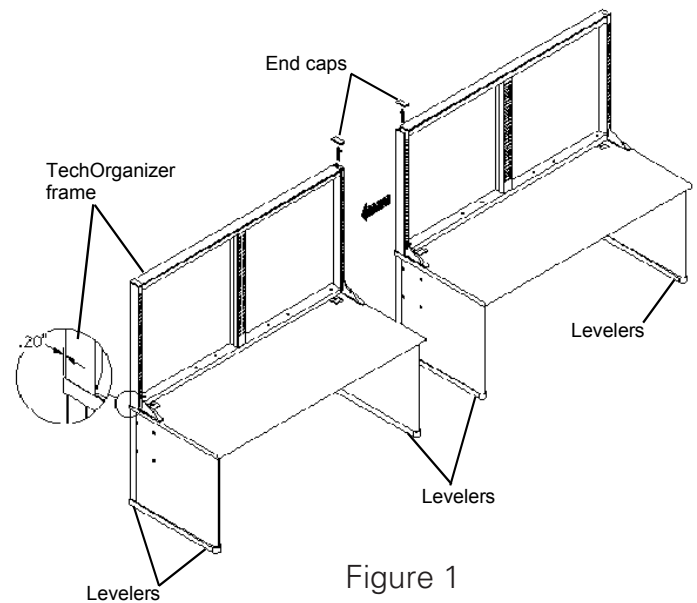


Figure 1

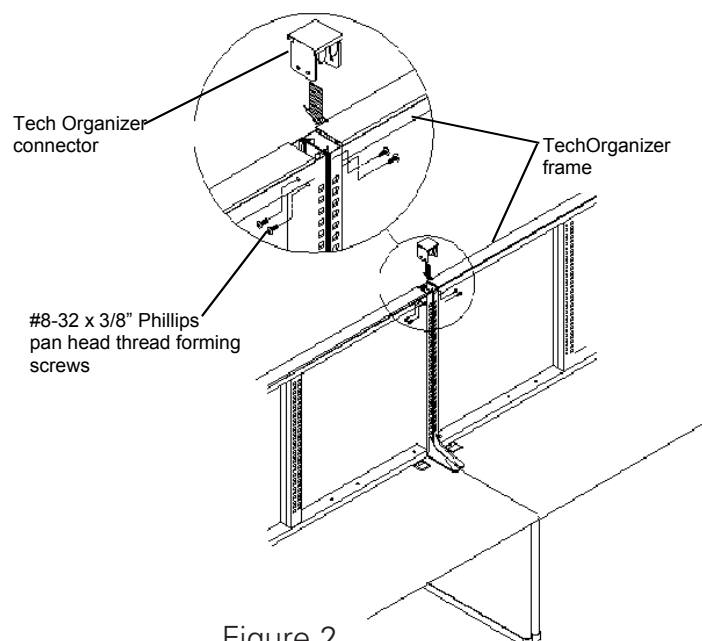


Figure 2

Connecting two back-to-back units

1. Position the two units back-to-back. Adjust the **Levelers** so that the tops of the TechOrganizer frames are even. See **Figure 3**.
2. Remove the plastic **End Caps** from the frames.
3. Install the End Connectors as shown in **Figure 3**.
4. Lock the End Connectors in place using two #8-32 x 3/8" Phillips pan head thread forming screws provided. See **Figure 3**.

Connecting four adjacent back-to-back units

1. Position the two back-to-back units to be connected side by side. Adjust the **Levelers** so that the tops of the TechOrganizer frames are even. See **Figure 3**.
2. Remove the plastic **End Caps** from the adjacent frames.
3. Install the Intermediate Connector as shown in **Figure 3**.
4. Lock the Intermediate Connector in place using four #8-32 x 3/8" Phillips pan head thread forming screws provided. See **Figure 3**.

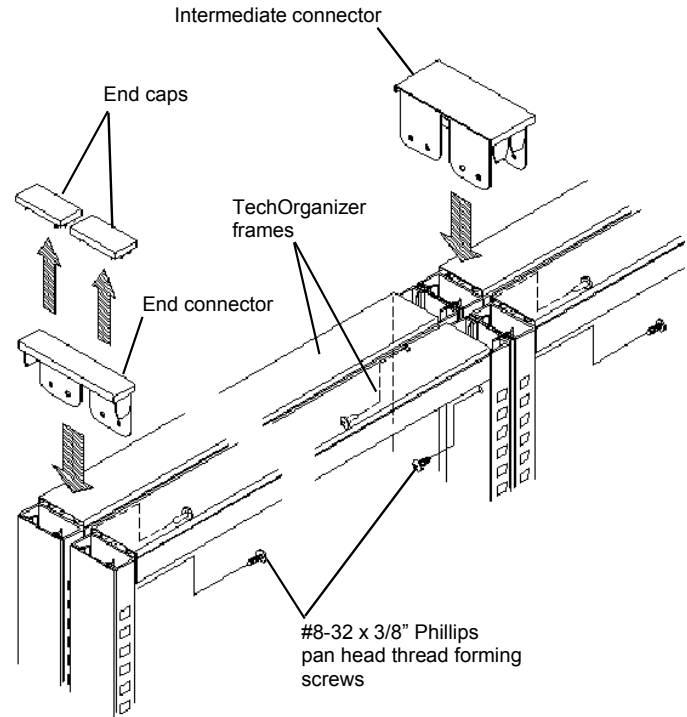
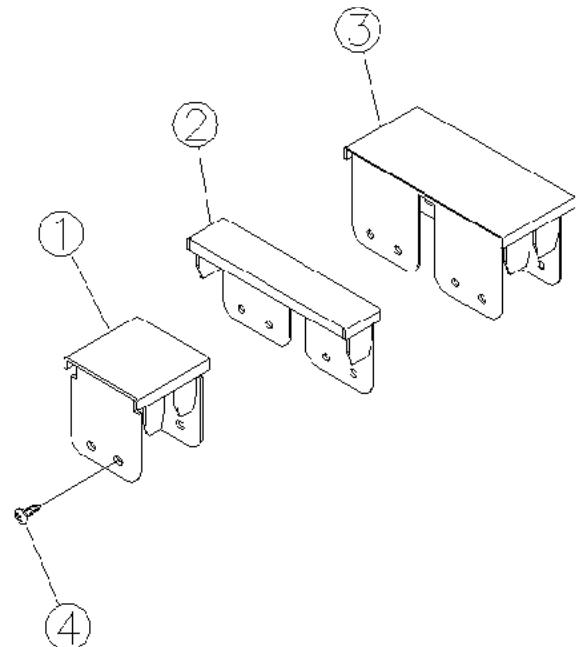


Figure 3

IMPORTANT: When using Connectors on back-to-back Organizers, the Organizers *must* be attached .20" from the back edge of the worksurface. See **Figure 1**.

Parts List

Part Number	Description	Qty.
1	6872X Connector	1
2	7478X End Connector	1
3	7479X Intermediate Connector	1
4	83645 #8-32 x 3/8" Phillips Pan Head Thread Forming Screws	4



Eaton
 1000 Eaton Boulevard
 Cleveland, OH 44122
 United States
 Eaton.com

© 2018 Eaton
 All Rights Reserved
 Printed in USA
 Publication No. IL211007EN 85230
 May 2018