

Linear TechOrganizer

Tools Required

- #33 (.113 dia.) Drill (Jobbers length)
- Electric drill
- Phillips head screwdriver
- Plastic mallet

The **TechOrganizer** can be installed on Linx Worksurfaces or appropriate industrial work benches.

Linx Worksurfaces with full depth uprights are recommended to provide a Workstation/Organizer with greatest stability.

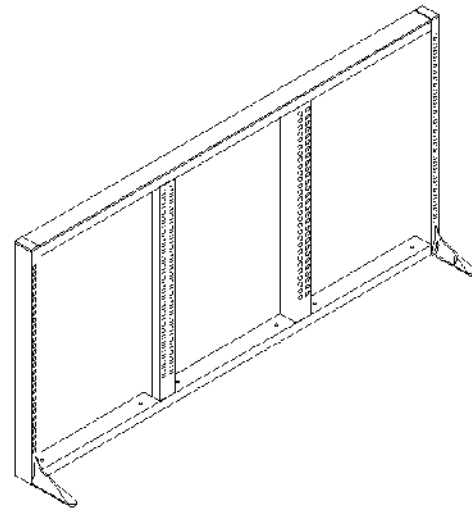
Important Safety Instructions

- * The Organizer must be properly secured to the Worksurface prior to installing of components.
- * Frame load capacity is 300 lbs. (Linx Worksurfaces) and 400 lbs. (Workbenches).
- * Do not install shelves that are greater than 18" deep.
- * Do not install shelves more than 35" above the Worksurface.

1. Position the TechOrganizer in the desired location on the back of the Worksurface. On a Linx Worksurface, locate the back of the frame .20" from the back edge of the Worksurface. See **Figure 1**.
2. Using the holes in the frame bottom crossbar and the holes in the feet as a template, locate and drill the appropriate quantity of .113 dia. holes .50" deep in the Worksurface. See **Figure 1**.

NOTE: If the feet are not 90° to the frame, tap the ends with a plastic mallet to correct.

3. Attach the frame bottom crossbar to the worksurface using the #10AB x 2.25" Phillips head flat head screws (provided). See **Figure 1**.
4. Attach the feet to the Worksurface using the four #10AB x .75" Phillips pan head screws (provided). See **Figure 1**.



TechOrganizer

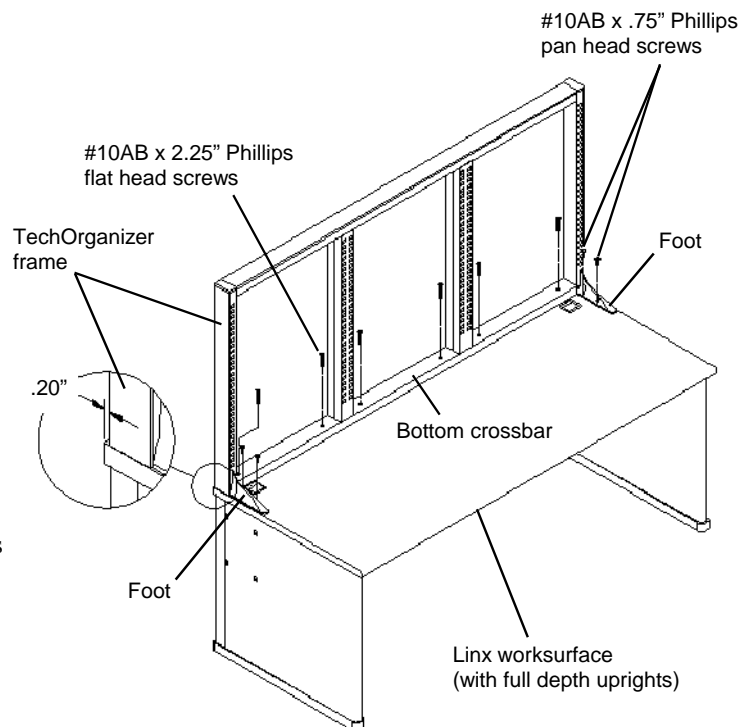


Figure 1.

Phenolic Linear TechBench

TOOLS REQUIRED

- (1) #19 drill bit (not supplied)
- (1) 7/32" drill bit (not supplied)
- (1) Electric drill (not supplied)
- (1) Phillips head screwdriver
- (1) Plastic mallet
- (1) 3/8" wrench

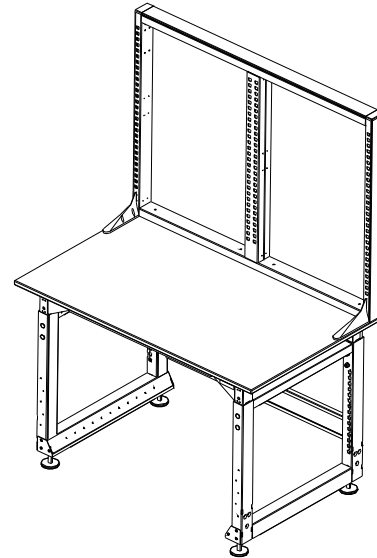
Important Safety Instructions

- * The Organizer must be properly secured to the Work-surface prior to installing of components.
- * Frame load capacity is 400 lbs. (TechBench).
- * Do not install shelves that are greater than 18" deep.
- * Do not install shelves more than 35" above the Work-surface.

1. Position the Linear TechOrganizer in the desired location on the back of the Phenolic worksurface. See figure 1.
2. Using the holes in the frame bottom crossbar as a template, locate and drill the appropriate quantity of .164 dia. holes .650" deep in the worksurface. See figure 1.

NOTE: If the feet are not 90° to the frame, tap the ends with a plastic mallet to correct.

3. Attach the frame bottom crossbar to the worksurface using the #10 x 2.00" phillips flat head screws provided. See figure 1.



Linear TechOrganizer

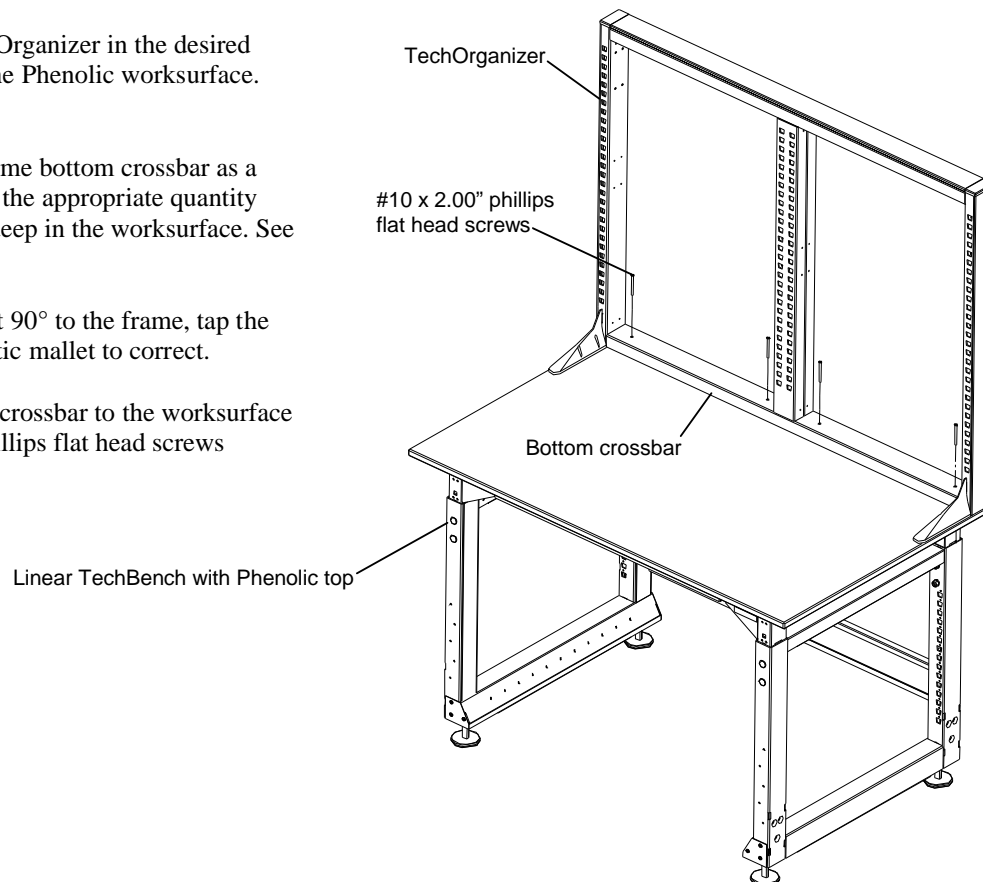


Figure 1.

85030

Phenolic Linear TechBench

4. Using the holes in the feet as a template, locate and drill four .218 dia. holes **thru** the worksurface. Attach the feet to the worksurface using the four #10 x 1.25" phillips pan head machine screws, #10 washers, #10-32 lock nuts and #10-32 acorn nuts provided. See figure 2.

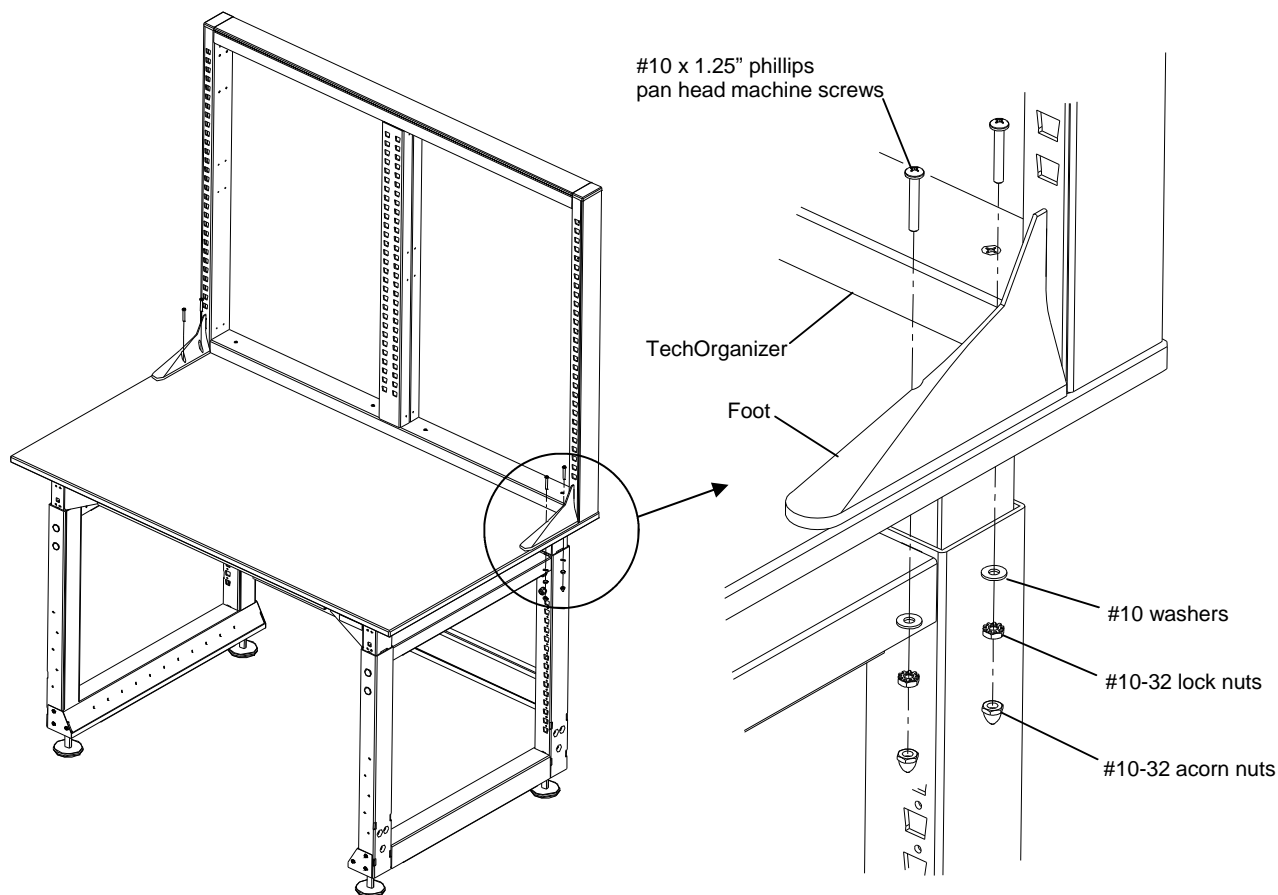


Figure 2.

TechOrganizer Service Parts List

Parts List			
Part Number	Description	Qty.	
1	6074X	Organizer Frame, 16" x 24"	1
	6075X	Organizer Frame, 32" x 24"	
	6076X	Organizer Frame, 36" x 24"	
	6077X	Organizer Frame, 48" x 24"	
	6078X	Organizer Frame, 16" x 30"	
	6079X	Organizer Frame, 32" x 30"	
	6080X	Organizer Frame, 36" x 30"	
	6081X	Organizer Frame, 48" x 30"	
	6082X	Organizer Frame, 16" x 36"	
	6083X	Organizer Frame, 32" x 36"	
	6084X	Organizer Frame, 36" x 36"	
	6085X	Organizer Frame, 48" x 36"	
	6086X	Organizer Frame, 16" x 42"	
	6087X	Organizer Frame, 32" x 42"	
	6088X	Organizer Frame, 36" x 42"	
	6089X	Organizer Frame, 48" x 42"	
	5441X	Organizer Frame, 16" x 48"	
	5442X	Organizer Frame, 32" x 48"	
	5443X	Organizer Frame, 36" x 48"	
	6090X	Organizer Frame, 48" x 48"	
	5444X	Organizer Frame, 16" x 60"	
	5445X	Organizer Frame, 32" x 60"	
	5446X	Organizer Frame, 36" x 60"	
	6091X	Organizer Frame, 48" x 60"	
	5450X	Organizer Frame, 16" x 72"	
	5451X	Organizer Frame, 32" x 72"	
	5452X	Organizer Frame, 36" x 72"	
	6109X	Organizer Frame, 48" x 72"	

Parts List		
Part Number	Description	
1	5447X	Organizer Frame, 16" x 72"
	5448X	Organizer Frame, 32" x 72"
	5449X	Organizer Frame, 36" x 72"
	6092X	Organizer Frame, 48" x 72"
2	6094X	Cover, 24"
	6095X	Cover, 30"
	6096X	Cover, 36"
	6097X	Cover, 42"
	5437X	Cover, 48"
	5438X	Cover, 60"
	5439X	Cover, 72"
	6375X	Cover, 24"
	6376X	Cover, 30"
	6377X	Cover, 36"
	6378X	Cover, 42"
	6379X	Cover, 48"
	6380X	Cover, 60"
	6381X	Cover, 72"
3	5431X	Cap
4	5434X	Cover - End Standard, 16"
	5435X	Cover - End Standard, 32"
	5436X	Cover - End Standard, 36"
5	6093X	Cover - End Standard, 48"
	84742	#10AB x 2.25" Phillips Flat Head Screw

TechOrganizer Service Parts List cont'd.

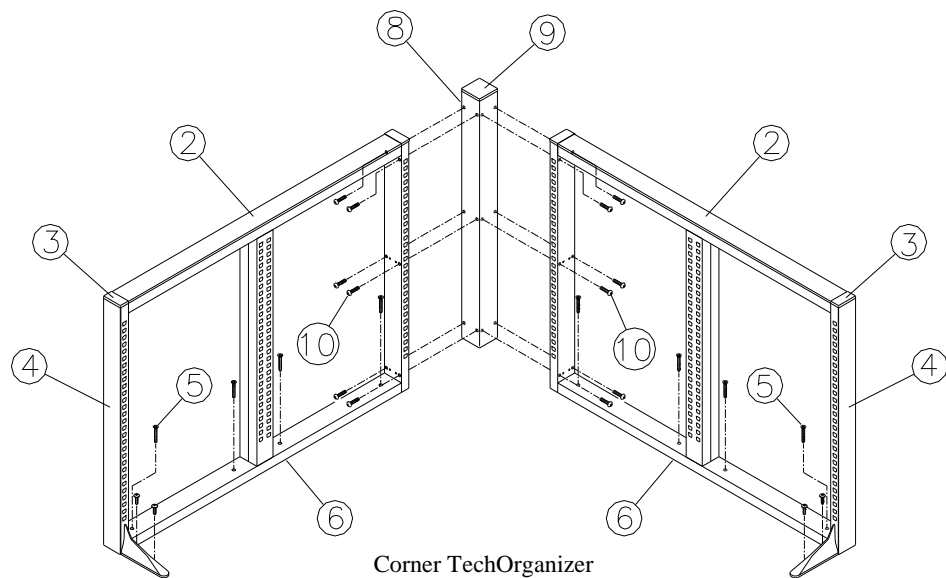
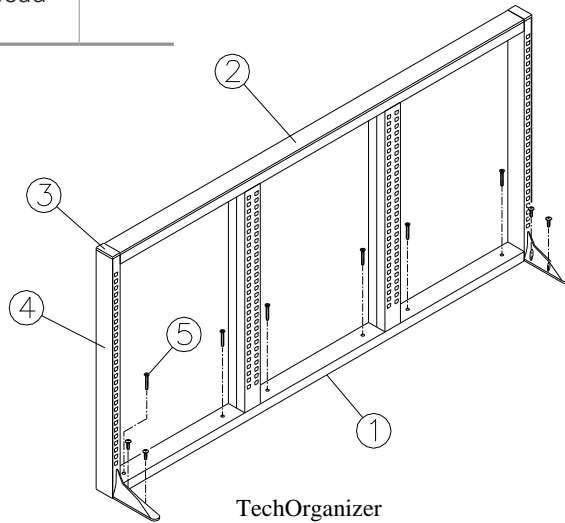
Parts List			
Part Number	Description	Qty.	
6	6251X	CWS Organizer Frame, 16" x 24"- R.H.	1
	6253X	CWS Organizer Frame, 32" x 24"- R.H.	
	6255X	CWS Organizer Frame, 36" x 24"- R.H.	
	6257X	CWS Organizer Frame, 48" x 24"- R.H.	
	6259X	CWS Organizer Frame, 16" x 30"-R.H.	
	6261X	CWS Organizer Frame, 32" x 30"- R.H.	
	6263X	CWS Organizer Frame, 36" x 30"- R.H.	
	6265X	CWS Organizer Frame, 48" x 30"- R.H.	
	6267X	CWS Organizer Frame, 16" x 36"- R.H.	
	6269X	CWS Organizer Frame, 32" x 36"- R.H.	
	6271X	CWS Organizer Frame, 36" x 36"- R.H.	
	6273X	CWS Organizer Frame, 48" x 36"- R.H.	
	6275X	CWS Organizer Frame, 16" x 42"- R.H.	
	6277X	CWS Organizer Frame, 32" x 42"- R.H.	
	6279X	CWS Organizer Frame, 36" x 42"- R.H.	
	6281X	CWS Organizer Frame, 48" x 42"- R.H.	
	6383X	CWS Organizer Frame, 16" x 48"- R.H.	
	6285X	CWS Organizer Frame, 32" x 48"- R.H.	
	6287X	CWS Organizer Frame, 36" x 48"- R.H.	
	6289X	CWS Organizer Frame, 48" x 48"- R.H.	
	6291X	CWS Organizer Frame, 16" x 60"- R.H.	
	6293X	CWS Organizer Frame, 32" x 60"- R.H.	
	6295X	CWS Organizer Frame, 36" x 60"- R.H.	
	6297X	CWS Organizer Frame, 48" x 60"- R.H.	
	6299X	CWS Organizer Frame, 16" x 72"- R.H.	
	6301X	CWS Organizer Frame, 32" x 72"- R.H.	
6303X	CWS Organizer Frame, 36" x 72"- R.H.		
6305X	CWS Organizer Frame, 48" x 72"- R.H.		

TechOrganizer Service Parts List cont'd.

Parts List		
Part Number	Description	Qty.
6250X	CWS Organizer Frame, 16" x 24"- L.H.	1
6252X	CWS Organizer Frame, 32" x 24"- L.H.	
6254X	CWS Organizer Frame, 36" x 24"- L.H.	
6256X	CWS Organizer Frame, 48" x 24"- L.H.	
6258X	CWS Organizer Frame, 16" x 30"- L.H.	
6260X	CWS Organizer Frame, 32" x 30"- L.H.	
6262X	CWS Organizer Frame, 36" x 30"- L.H.	
6264X	CWS Organizer Frame, 48" x 30"- L.H.	
6266X	CWS Organizer Frame, 16" x 36"- L.H.	
6268X	CWS Organizer Frame, 32" x 36"- L.H.	
6270X	CWS Organizer Frame, 36" x 36"- L.H.	
6272X	CWS Organizer Frame, 48" x 36"- L.H.	
6274X	CWS Organizer Frame, 16" x 42"- L.H.	
7 6276X	CWS Organizer Frame, 32" x 42"- L.H.	
6278X	CWS Organizer Frame, 36" x 42"- L.H.	
6280X	CWS Organizer Frame, 48" x 42"- L.H.	
6382X	CWS Organizer Frame, 16" x 48"- L.H.	
6284X	CWS Organizer Frame, 32" x 48"- L.H.	
6286X	CWS Organizer Frame, 36" x 48"- L.H.	
6288X	CWS Organizer Frame, 48" x 48"- L.H.	
6290X	CWS Organizer Frame, 16" x 60"- L.H.	
6292X	CWS Organizer Frame, 32" x 60"- L.H.	
6294X	CWS Organizer Frame, 36" x 60"- L.H.	
6296X	CWS Organizer Frame, 48" x 60"- L.H.	
6298X	CWS Organizer Frame, 16" x 72"- L.H.	
6300X	CWS Organizer Frame, 32" x 72"- L.H.	
6302X	CWS Organizer Frame, 36" x 72"- L.H.	
6304X	CWS Organizer Frame, 48" x 72"- L.H.	

TechOrganizer Service Parts List cont'd.

Parts List			
#	Part Number	Description	Qty.
8	6229X	Corner Post, 16"	1
	6230X	Corner Post, 32"	
	6231X	Corner Post, 36"	
	6232X	Corner Post, 48"	
9	6233X	Cap	1
10	83508	1/4"-20 x 1-5/8" Button Head Cap Screw	



Eaton
 1000 Eaton Boulevard
 Cleveland, OH 44122
 United States
 Eaton.com

© 2018 Eaton
 All Rights Reserved
 Printed in USA
 Publication No. IL211023EN 85030
 May 2018

Eaton
 160 Gold Star Boulevard
 Worcester, MA 01606
 United States
 800-225-7348
 508-852-4300
 Eaton.com/furniture

Eaton is a registered trademark.

*All trademarks are property of their respective owners.

Follow us on social media to get the latest product and support information.

