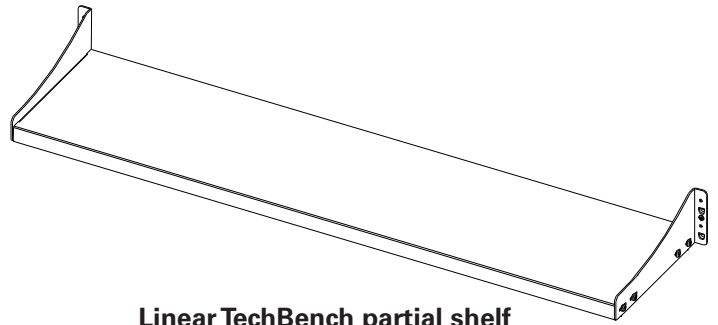


# Linear TechBench™ partial shelf installation

## Tools required

- (1) Phillips screwdriver (not supplied)
- (1) Plastic mallet (not supplied)

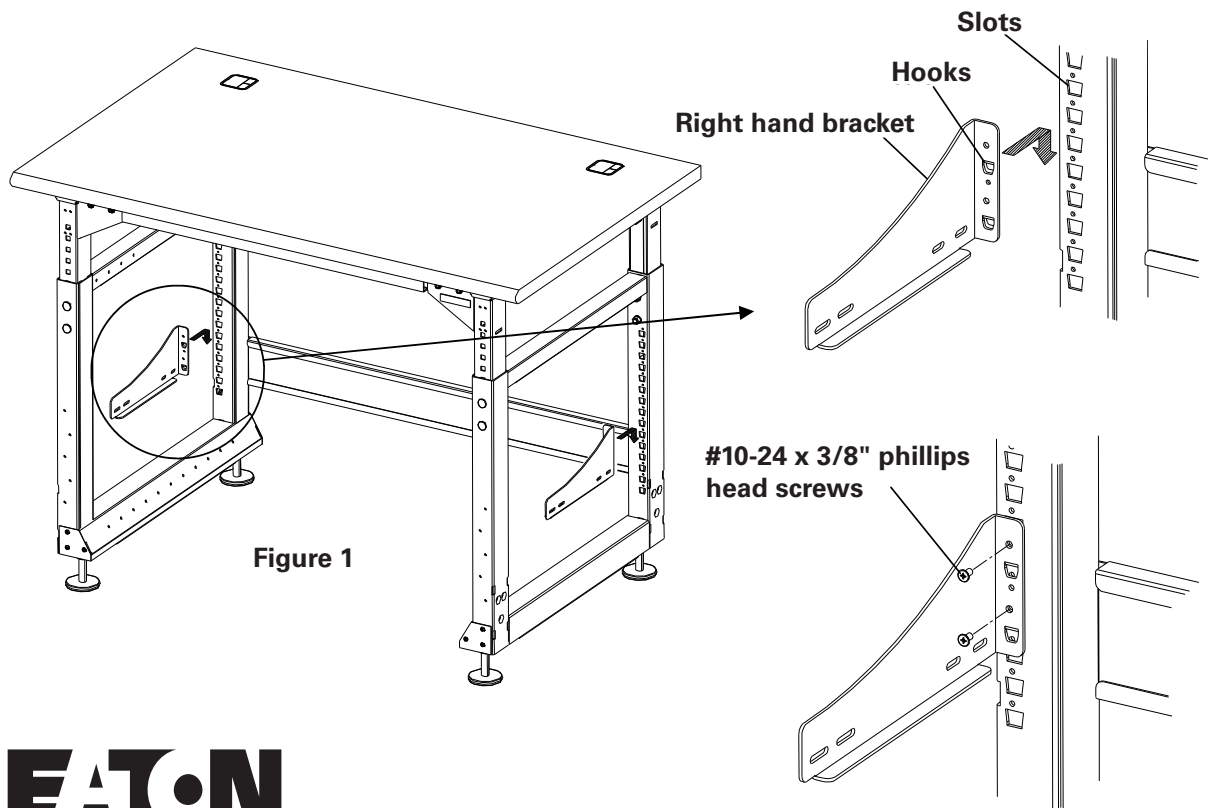


1. Determine the location for the partial shelf and attach the brackets to the TechBench™ as shown in figure 1.

**NOTE:** Be sure that the Brackets are at the same level

Tap the top of each Bracket with a plastic mallet to ensure that the hooks are fully seated.

2. Lock each Bracket in place using two #10-24 x 3/8" pancake phillips head screws (provided). See figure 2.



Powering Business Worldwide

3. Lower the Partial Shelf onto the Brackets and align the holes in the sides of the shelf with the slots in the Brackets. Fasten the shelf to the Brackets using four #10-32 x 5/8" phillips head screws (provided) on each side. See figure 3.

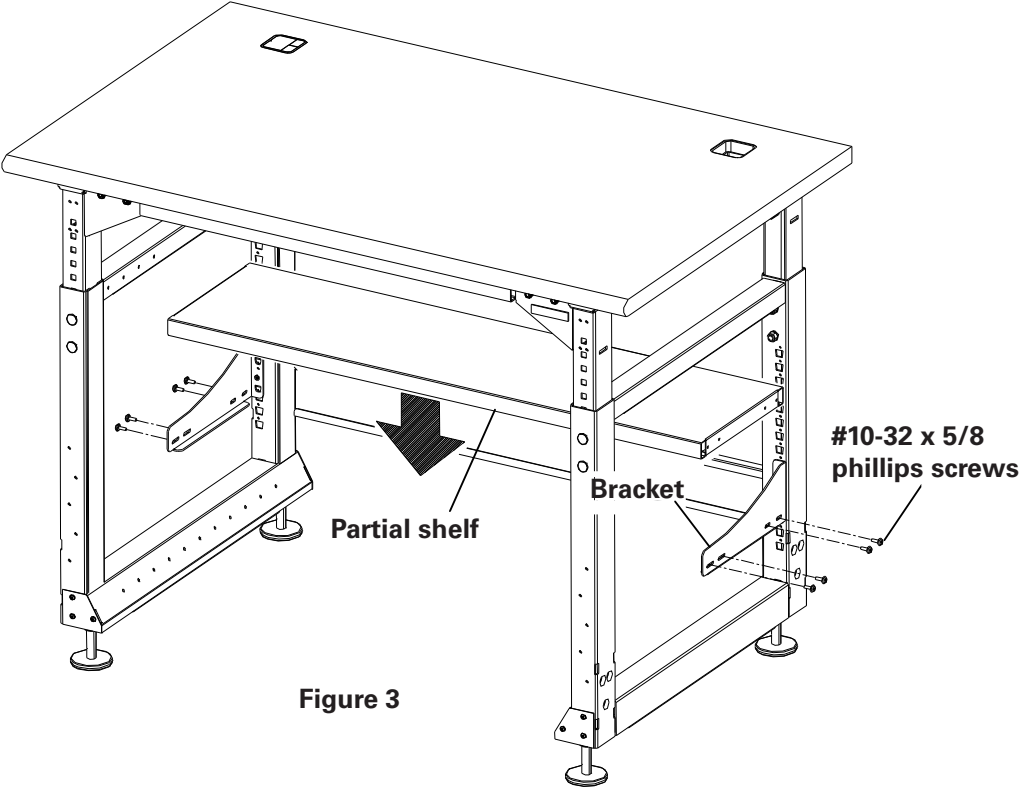


Figure 3

Eaton  
1000 Eaton Boulevard  
Cleveland, OH 44122  
United States  
Eaton.com

© 2018 Eaton  
All Rights Reserved  
Printed in USA  
Publication No. IL210004EN  
March 2018

Eaton is a registered trademark.

All trademarks are property of their respective owners.