

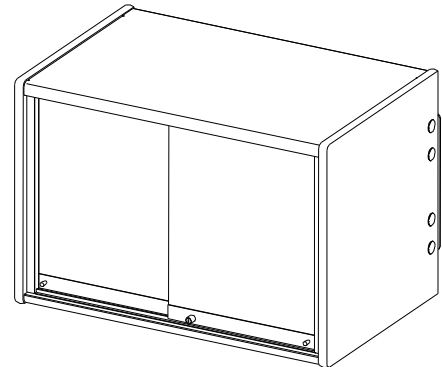
Lab sliding door compartment

Item numbers

ALSLCG1624
ALSLCG1630
ALSLCG1636
ALSLCG1648
ALSLCG2824
ALSLCG2830
ALSLCG2836
ALSLCG2848

Tools required

(1) Phillips head screwdriver
(1) Plastic mallet



Lab sliding door compartment

Back panel and end panel assembly

1. Insert the Left Hand and Right Hand Hook Plates into the slots in the rear of the Back Panel as shown in figures 1 and 2. Be sure to position the panel with the notches at the bottom.

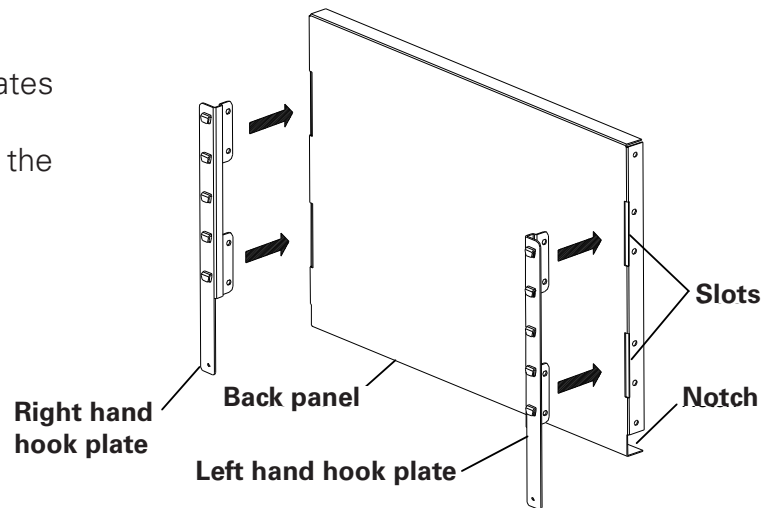


Figure 1 (16" H Compartment)

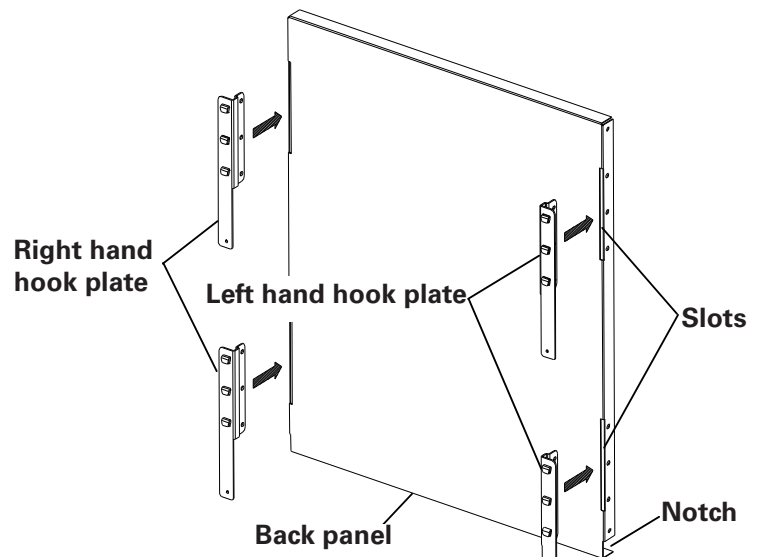


Figure 2 (28" H Compartment)

2. Attach the End Panels to the Back Panel using eight 1/4-20 x 3/4" phillips head screws (provided). Insert the screws thru the holes in the Hook Plates and Back Panel and into the side panels. See figure 3.

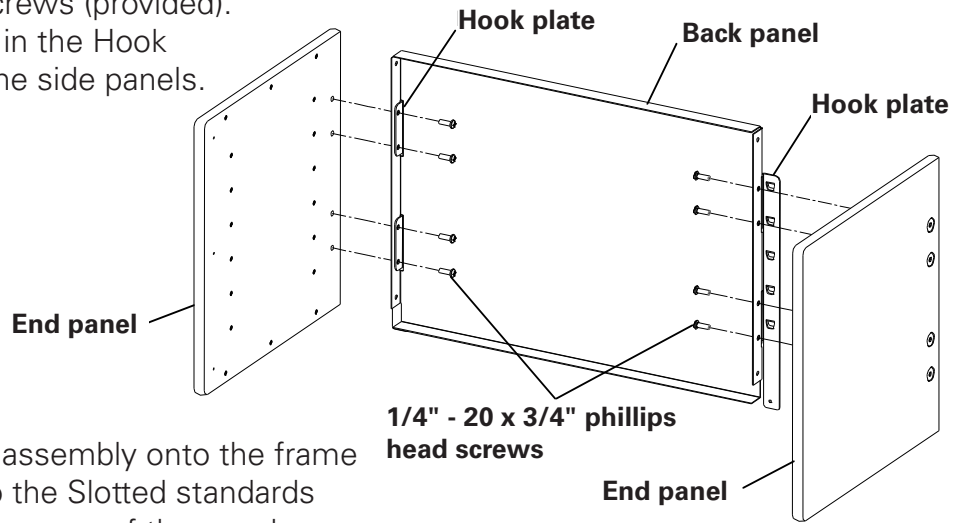


Figure 3

3. Install the Back Panel/End Panel assembly onto the frame by inserting the Hook Plates into the Slotted standards and pushing down. Tap the rear corners of the panels with a plastic mallet to ensure the hooks are seated. See figure 4. Next, install two #10-24 x 3/8" phillips head screws (supplied) at the bottom of the hook plates to secure the cabinet to the standards.

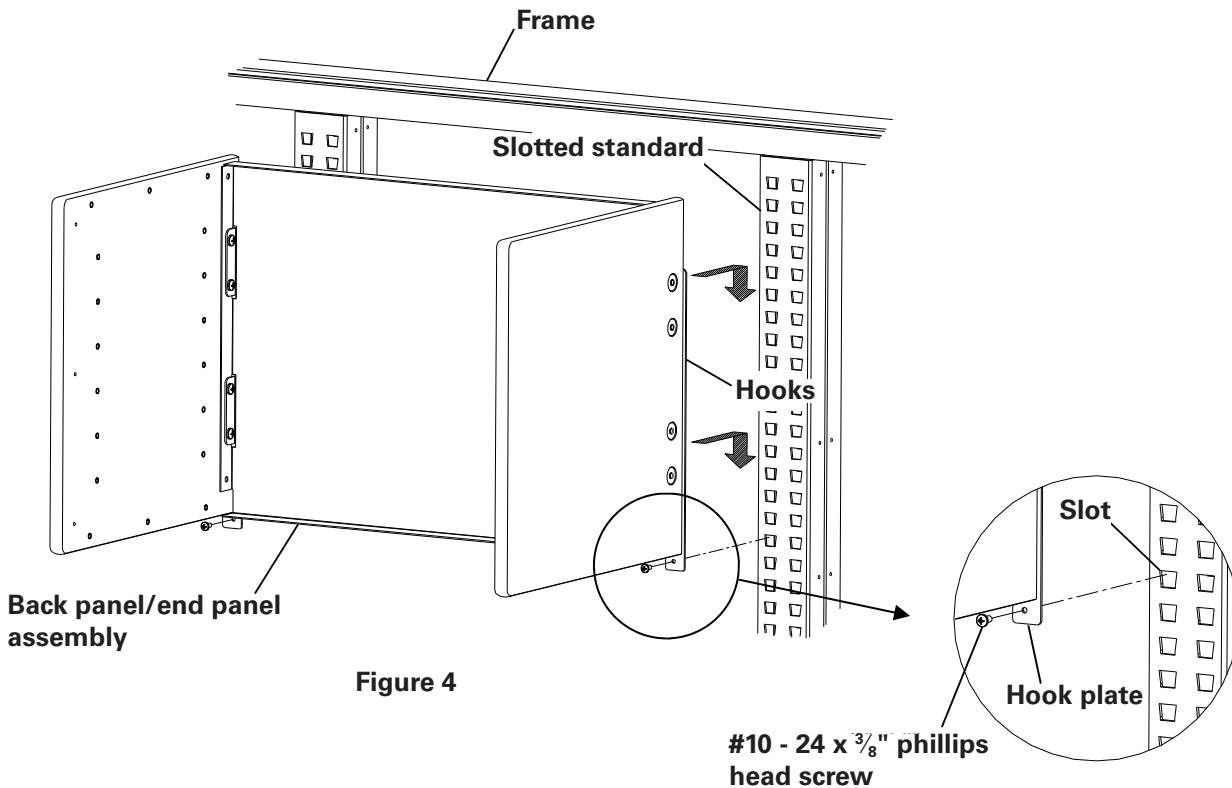


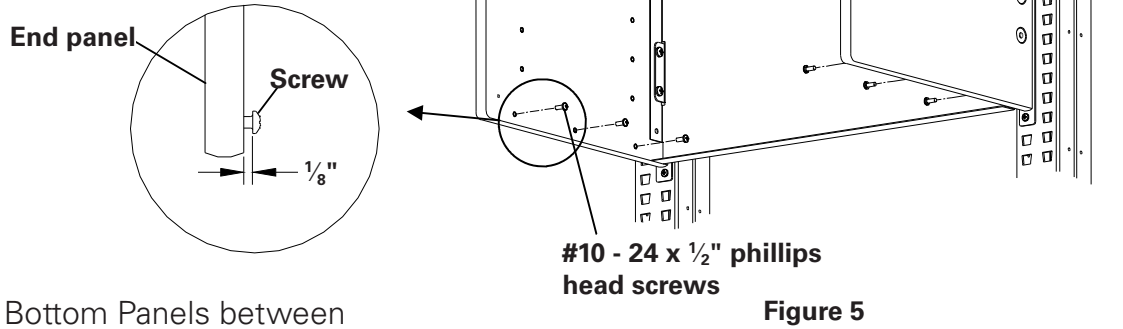
Figure 4



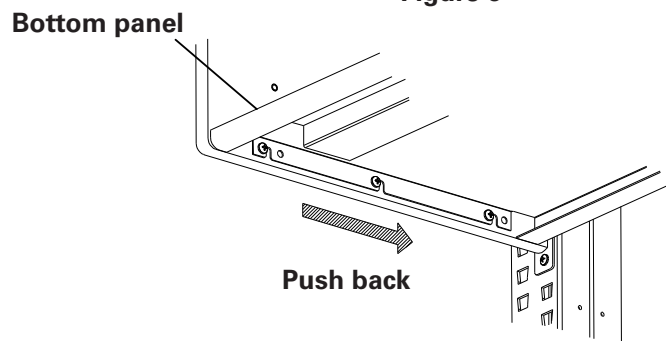
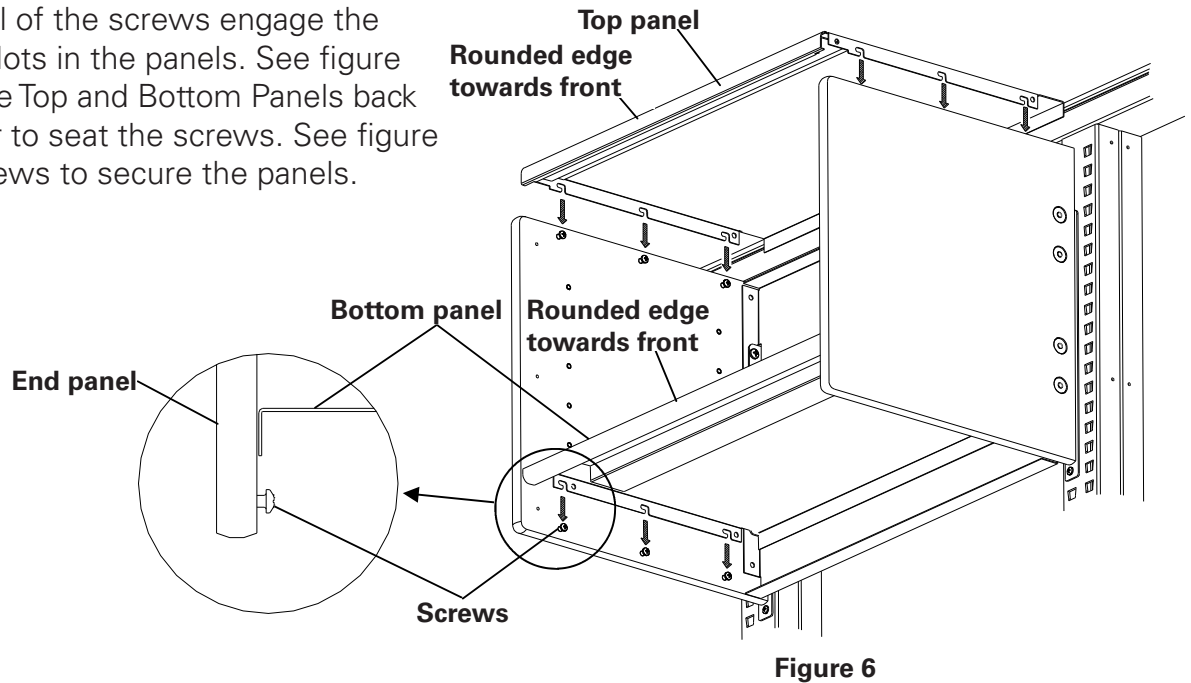
Powering Business Worldwide

Top and bottom panel installation

1. Install twelve #10-24 x 1/2" phillips head screws (supplied) at the top and bottom of the End Panels as shown in figure 5. Do not screw them in all the way; they should protrude approximately 1/8"



2. Position the Top and Bottom Panels between the End Panels above the screws. Lower the panels so that all of the screws engage the corresponding slots in the panels. See figure 6. Next, push the Top and Bottom Panels back towards the rear to seat the screws. See figure 7. Tighten all screws to secure the panels.

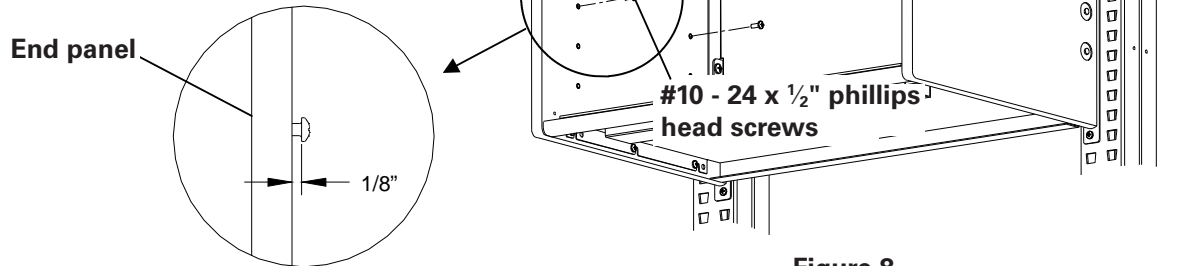


EATON

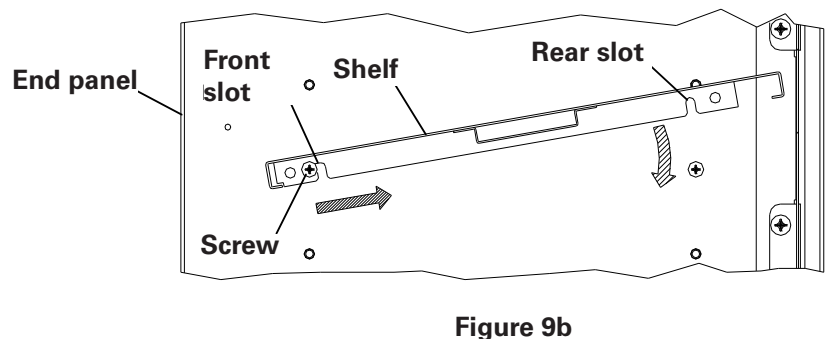
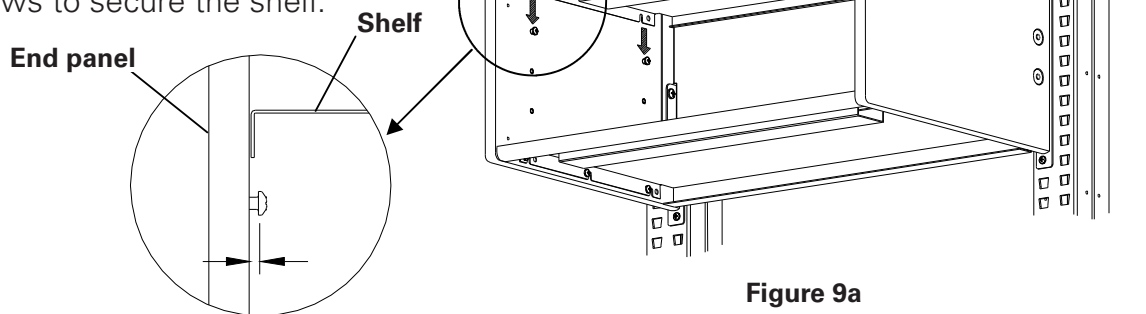
Powering Business Worldwide

Shelf installation

1. Install four #10-24 x 1/2" Phillips head screws (provided) at the desired location for the shelf in the End Panels as shown in figure 8. Do not screw them in all the way; they should protrude approximately 1/8".



2. Position the Shelf between the End Panels above the screws. See figure 9a. Align the front slots in the shelf with the screws at the front of the End Panels and push the shelf back towards the rear of the cabinet. Lower the rear of the shelf to engage the rear slots with the screws. See figure 9b. Tighten all screws to secure the shelf.



EATON

Powering Business Worldwide

Glass door installation

1. Install a Jamb to each Side Panel using the #8 AB x 1/2" Phillips head screws (provided). See figure 10.

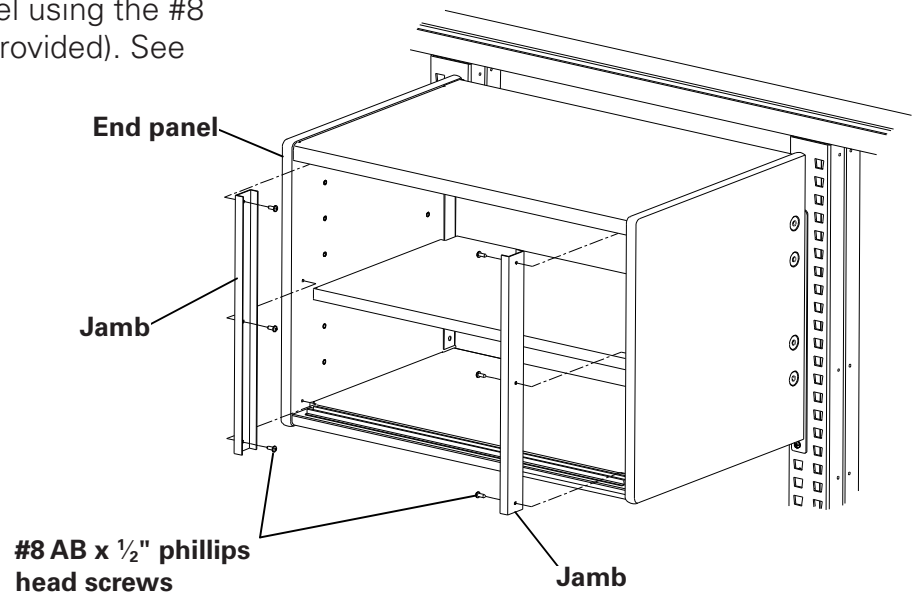


Figure 10

5. Install the Glass Doors as shown in figures 11a and 11b. Insert the tops of the doors into the Top Channel and engage the wheels at the bottom of the doors with the Door Track.

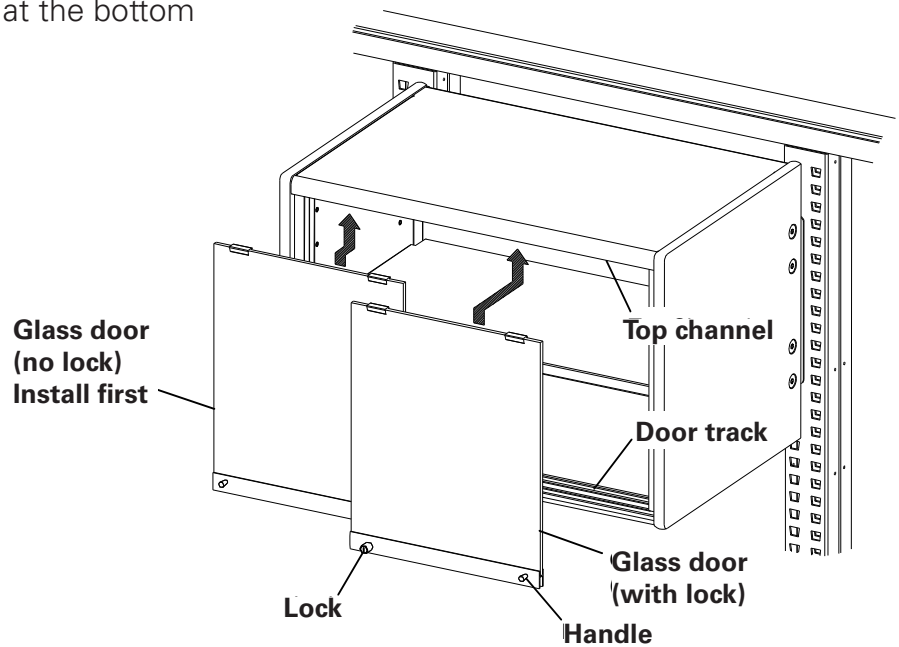


Figure 11a

EATON

Powering Business Worldwide

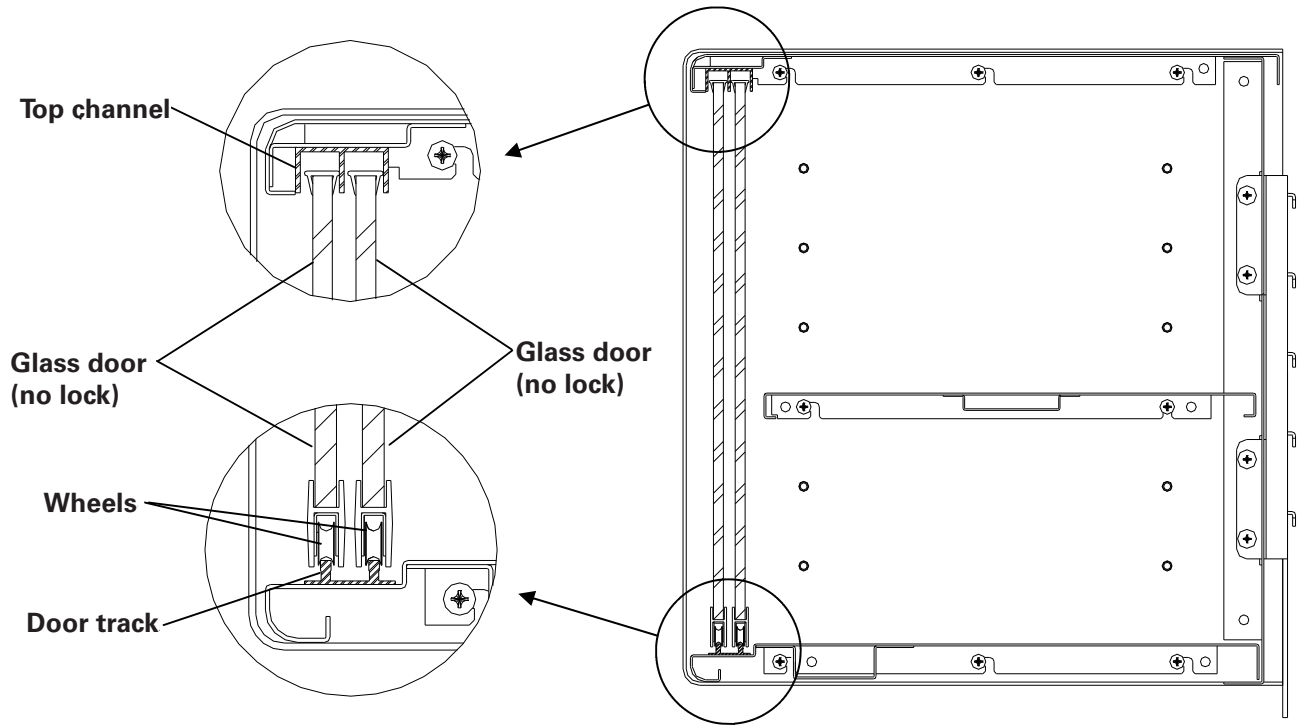


Figure 11b

T-nut cap installation

1. Install plastic T-Nut Caps to each End Panel as shown in figure 12. To install, push the caps over the ends of the screws and twist clockwise one full turn.

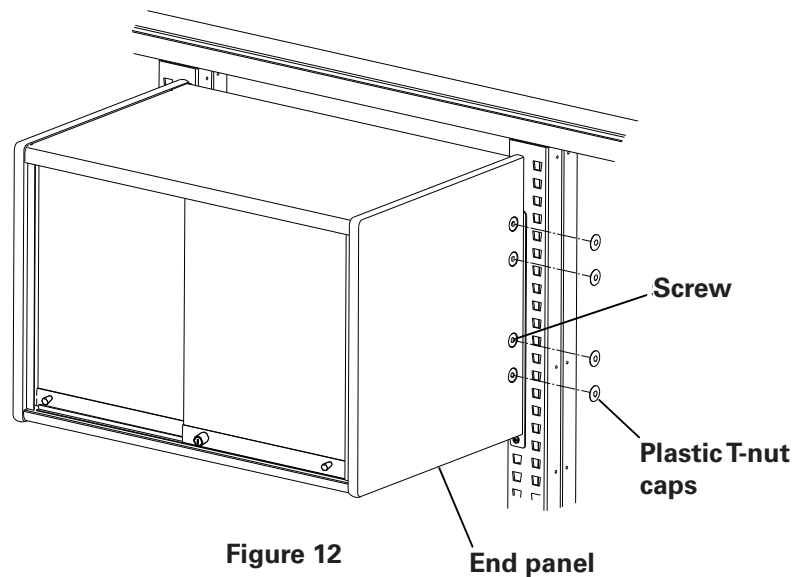


Figure 12