

# Corner TechBench Shelf

## TOOLS REQUIRED

- (1) Phillips screwdriver (not supplied)
- (1) Plastic mallet (not supplied)
- (1) 3/8" Socket wrench

The Corner TechBench™ Shelf can be installed on the Corner TechBench™ Frame with a height range of 8".

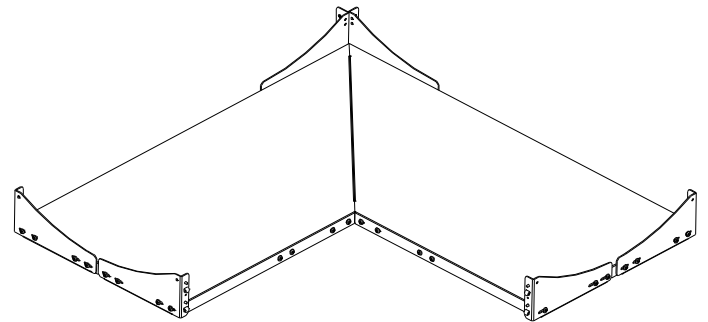
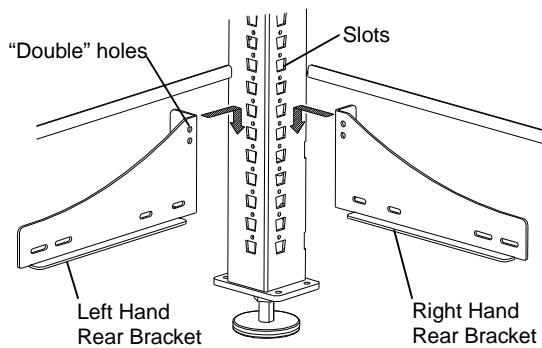
**NOTE:** The 4" rear Cross Members will have to be removed for certain shelf locations in order to install the shelf hardware.

**NOTE:** This shelf will be required for additional leg stability if casters are installed.

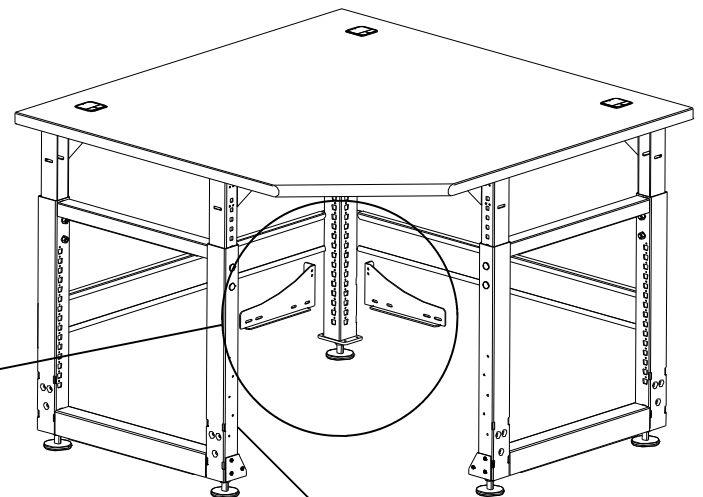
1. Determine the height location for the Corner Shelf and attach two Rear Brackets to the TechBench™ Frame as shown in figure 1.

**NOTE:** Be sure that the Brackets are at the same level.

Tap the top of each Bracket with a plastic mallet to ensure that the hooks are fully seated.



Corner TechBench™ Shelf



Corner TechBench™ Frame

Figure 1.

2. Lock each Bracket in place using two #10-24 x 3/8" phillips pancake head screws (provided). See figure 2.

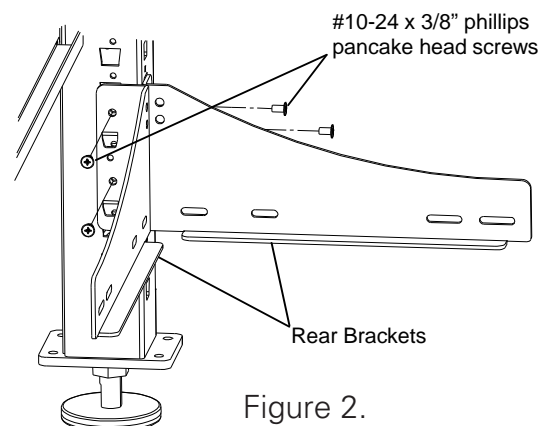


Figure 2.

3. Install the four Side Brackets on the Lower Side Frames at the same height as the Rear Brackets. See figure 3. Tap the top of each bracket with a plastic mallet to ensure that the hooks are fully seated.

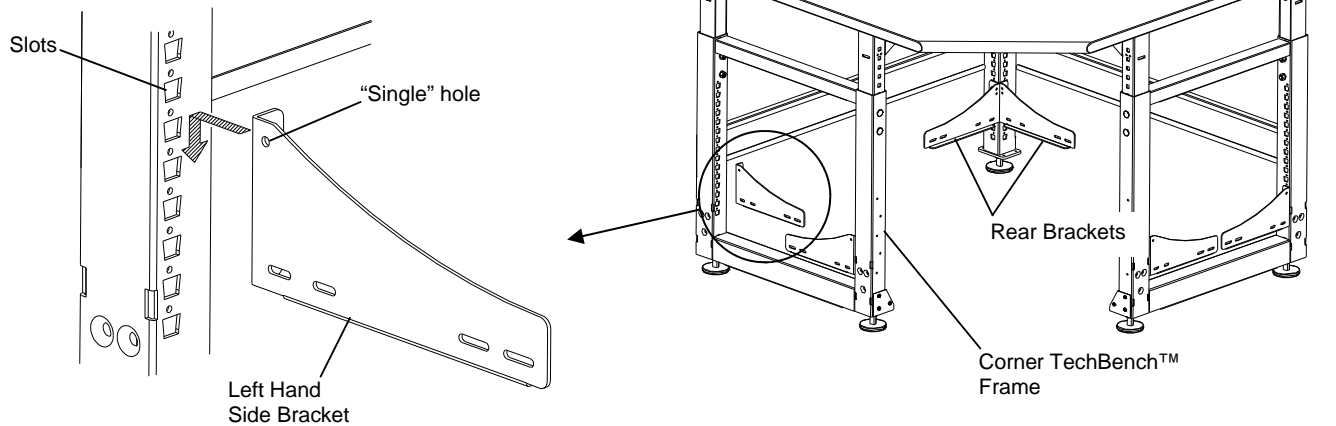


Figure 3

4. Lock each Bracket in place using two #10-24 x 3/8" phillips pancake head screws (provided). See figure 4.

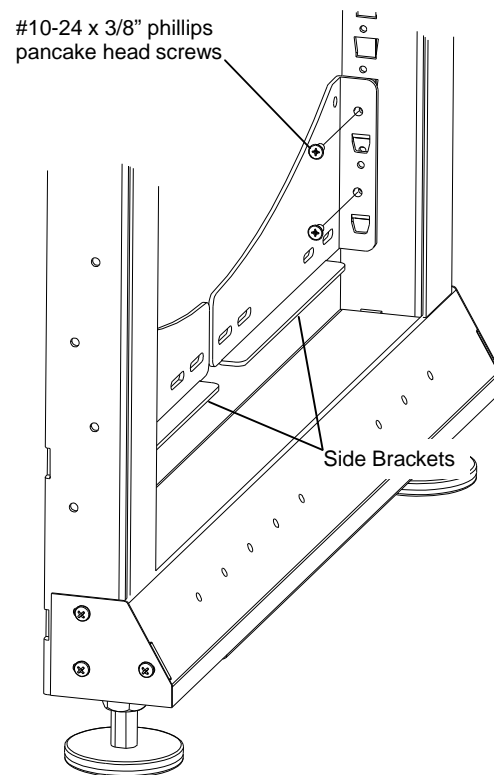


Figure 4

5. Carefully place both shelf halves upside down on the empty carton or on a clean carpeted surface.
6. Slide the two “L” shaped Stiffeners into the channels of one of the shelf halves. See figure 5.
7. Align the “L” shaped Stiffeners with the channels in the opposite shelf halve and slide the two halves together. Secure the mating surfaces using four 1/4”-20 x 1/2” long hex head screws (provided). See figures 5 and 6.

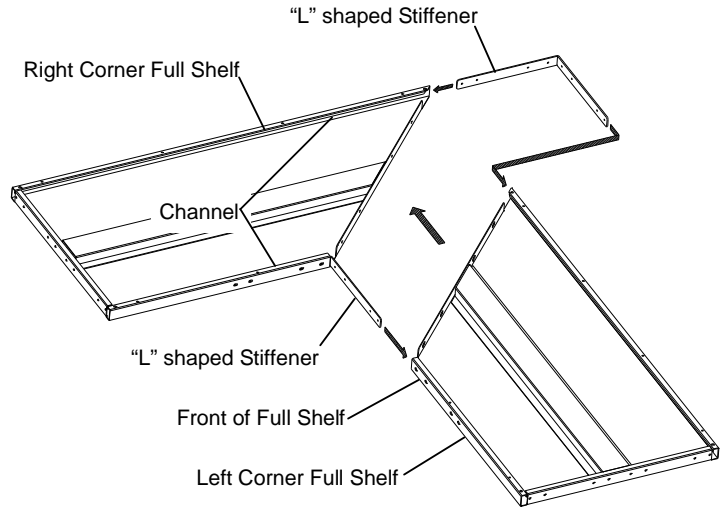


Figure 5

8. Install eight #10-32 x 5/8” long phillips head screws with plastic washers (provided) to the front of the Corner Shelf to secure the Stiffener. See figure 6.

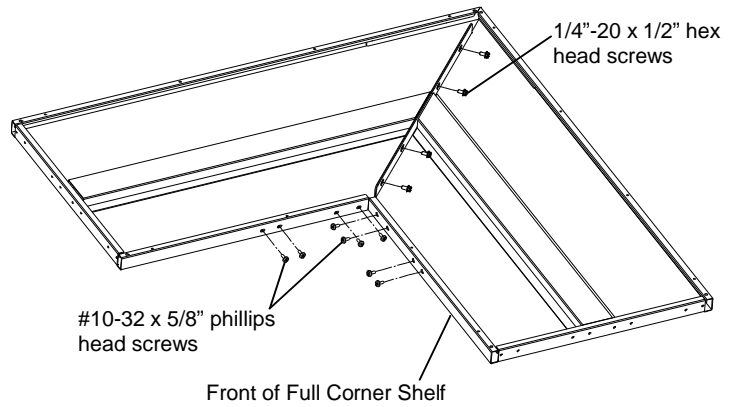


Figure 6

9. Turn the assembled Full Corner Shelf over, pass it thru the frame, and place it on the Rear and Side Brackets as shown in figure 7.

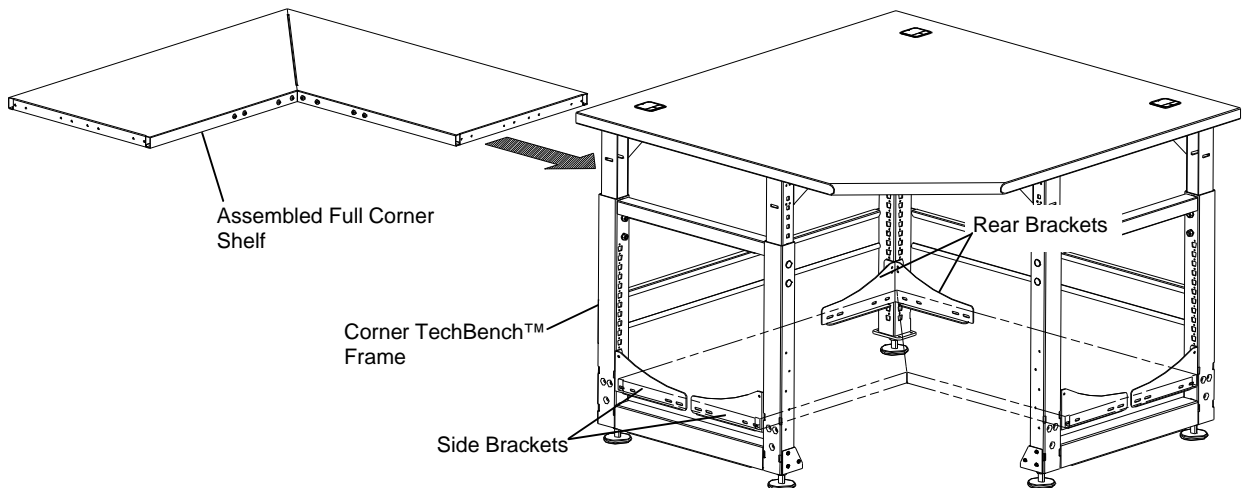


Figure 7

Effective May 2018

10. Install eight #10-32 x 5/8" long phillips head screws with plastic washers (provided) thru the Rear Brackets and into the Corner Shelf. See figure 8. **Do not** tighten at this time.
11. Install sixteen #10-32 x 5/8" long phillips head screws with plastic washers (provided) thru the Side Brackets and into the Corner Shelf.\*

\*NOTE: Some adjustment of the frame may be necessary to align the slots in the brackets with the mounting holes in the shelf.

12. Tighten all screws securely.

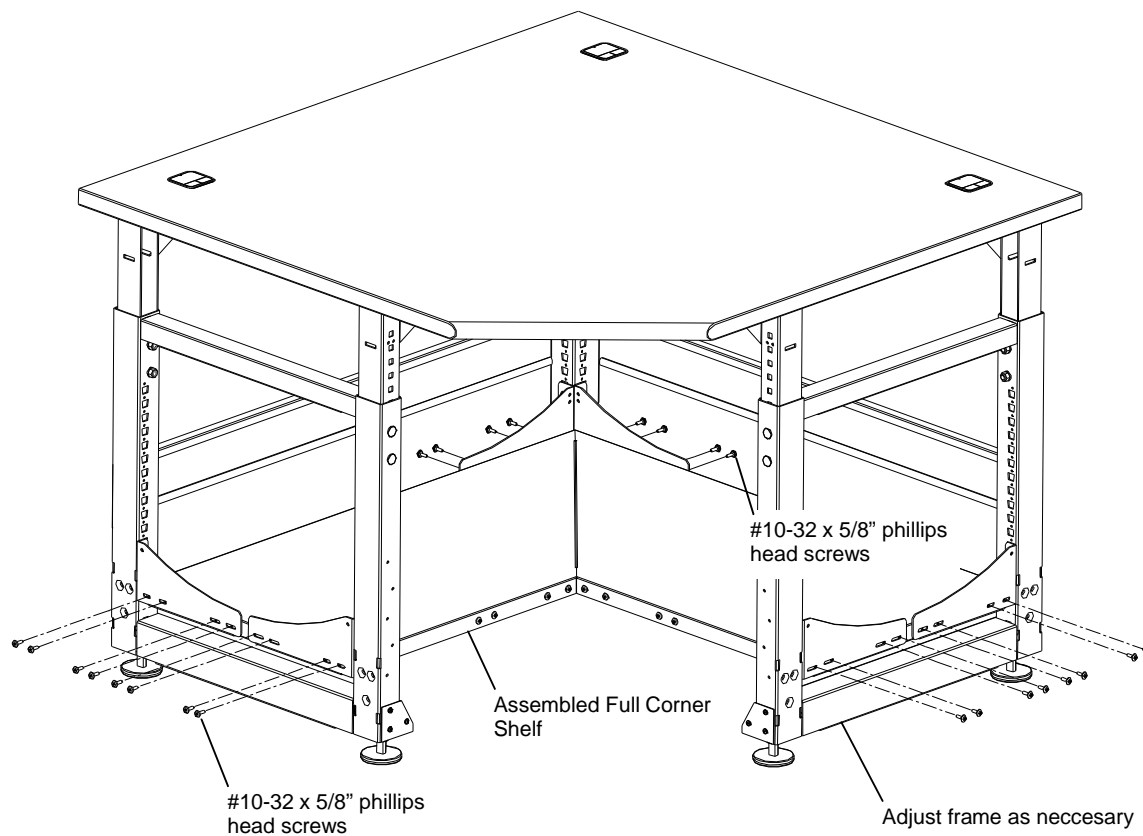


Figure 8

**Eaton**  
1000 Eaton Boulevard  
Cleveland, OH 44122  
United States  
Eaton.com

© 2018 Eaton  
All Rights Reserved  
Printed in USA  
Publication No. IL211019EN 91654  
May 2018

**Eaton**  
160 Gold Star Boulevard  
Worcester, MA 01606  
United States  
800-225-7348  
508-852-4300  
Eaton.com/furniture

Eaton is a registered trademark.

\*All trademarks are property of their respective owners.

Follow us on social media to get the latest product and support information.

