

Accessory bracket

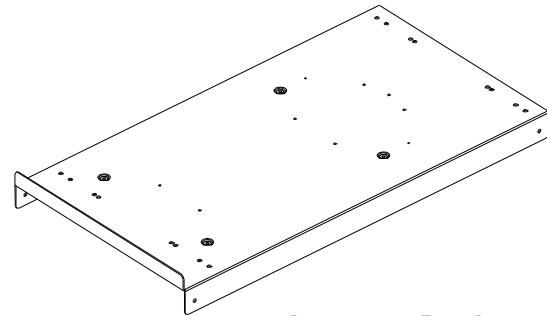
ITEM NUMBERS

- (1) TBFACP2030
- (1) TBFACP2036
- (1) TBFACP1530
- (1) TBFACP1536

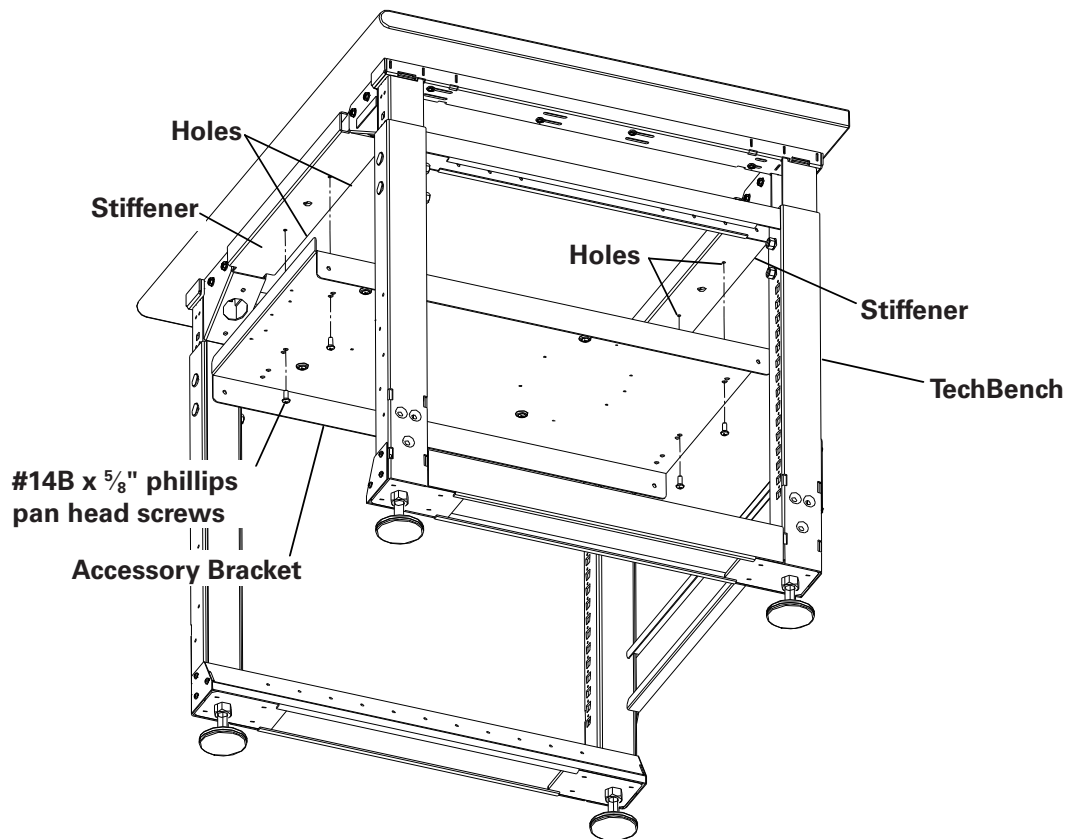
TOOLS REQUIRED

- (1) Phillips head screw driver (not supplied)

1. Position the Accessory Bracket as shown and align the appropriate holes in the bracket with the holes in the TechBench stiffeners. Attach the bracket using the #14B x $\frac{5}{8}$ " phillips pan head screws provided.



Accessory Bracket



Eaton
1000 Eaton Boulevard
Cleveland, OH 44122
United States
Eaton.com

© 2018 Eaton
All Rights Reserved
Printed in USA
Publication No. 1L210013EN
April 2018

Eaton is a registered trademark.

All trademarks are property of their respective owners.