

3 Rail divider kit

Please read these instructions carefully and follow the installation steps in sequence.

The 3 rail divider kit install into a 4" roll-out drawer with a front or 6" drawer. (You must order a UM91-FP Slotted Front Panel if using the divider kit in a 6" drawer.)

1. Pull the roll-out drawer all the way (see figure 1). Place the slotted rear panel into the rear of the drawer (no attachment is required).

2. Install an adjustable compressor on each rail as shown in Figure 2. The open side of the rail must face to the right and the end with smaller hole will be toward the front of the roll-out.

Press down the thumb lever on the top of the compressor, then insert the compressor into the rear of the rail. Slide it to the forward middle of the rail, then release the lever.

3. Install the first rail with its compressor to the far L.H. side of the drawer (see Figure 3). Insert the tab at the front of the rail into the single slot at the far left front of the drawer. Then insert the rear of the rail into the far left slot in the rear panel.

4. Place media in the drawer to the right of the rail and adjust the compressor to contain it.

5. Install the second rail to the right of the media allowing some clearance. Install the second and third rails the same way as the first rail. Always make sure the front and rear slots match.

6. To remove the 3 rail divider kit, reverse the above installation procedure.

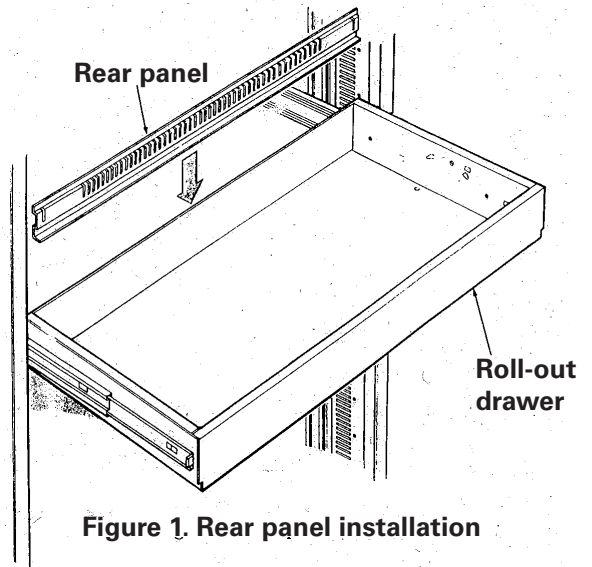


Figure 1. Rear panel installation

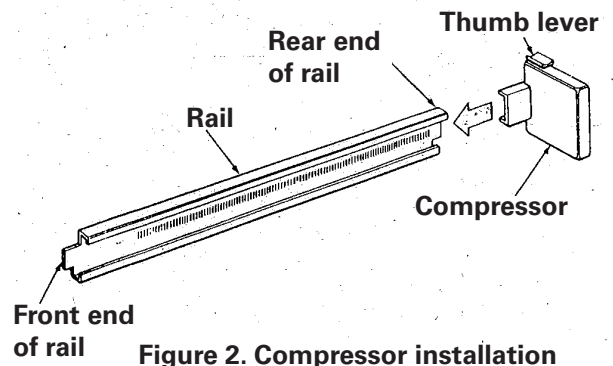


Figure 2. Compressor installation

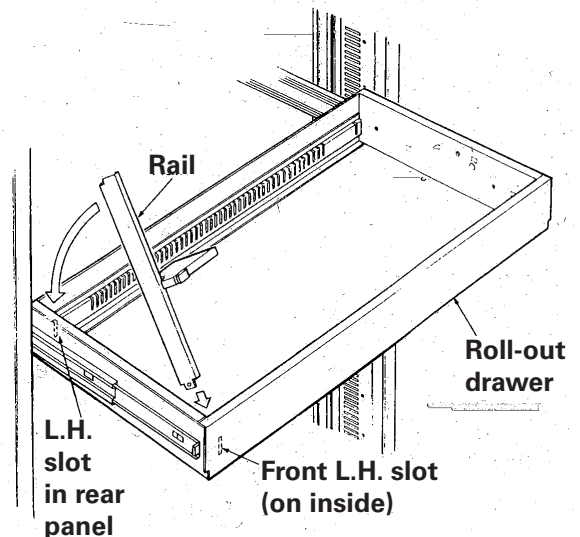


Figure 3. Track installation

Eaton
1000 Eaton Boulevard
Cleveland, OH 44122
United States
Eaton.com

© 2018 Eaton
All Rights Reserved
Printed in USA
Publication No. 1L210015EN
April 2018

Eaton is a registered trademark.

All trademarks are property of their respective owners.