

Cabinet installation

SAFETY INSTRUCTIONS

Exercise caution at all times to prevent personal injury or damage to the cabinet and its components.

Please read the following safety instructions carefully, For additional cautionary information. Refer to the installation instruction sheets for individual components.

1. The cabinet, in its final position, must be level side to side and the front must be $\frac{1}{8}$ " to $\frac{1}{4}$ " higher than the back of the cabinet (see instructions on other side).
2. Gang each cabinet to an adjacent cabinet by drilling 2 holes in the lower cabinet 6" down and between the uprights in the side panel. Do not use bolts that are long enough to interfere with the operation of a door and or a Roll-Out. Bolt cabinets back to back, or anchor to a wall by drilling 2 holes 6" down and 6" in from each side through the back panel.

If a cabinet cannot be ganged or anchored to a wall, order the optional counterweight package to help stabilize the cabinet. **(Item number UL90-A9)**

3. Load the cabinet from the bottom up, and DO NOT load any single level more than 50% full without first partially loading other levels. Reverse this procedure for unloading.
4. Do not load any level in excess of 100 pounds.
5. Do not install a roll-out component above 62", as measured from the floor, to the highest point on the component. This is to prevent the cabinet from becoming top heavy and tipping over when heavily loaded roll-outs are extended at high levels.
6. Do not attempt to roll out more than one component at a time. If more than one component is rolled out at the same time, the cabinet could tip over.

An interlock system must be installed on cabinets that have roll-out components. The purpose of the interlock system is to allow only one component to be rolled out at a time.

Do not attempt to load or use roll-out components without the interlock system installed and functioning correctly.

NOTE: The interlock system is not used on 3" drawer.

Check the roll-out components and the interlock system periodically to make sure they are functioning correctly.

7. Do not stand on or pull downward on any drawer or its contents.

CLEANING THE TAMBOUR AND RECEDING DOORS OR DRAWER FRONTS

Use either of the following two methods:

1. Use a solution of detergent, mild soap or soap flakes and warm water with a clean soft cloth or flannel. Rinse with clean water and wipe dry with a clean cloth.
2. Use any commercially available plastic cleaner recommended for plastic, which may be supplied in liquid form or aerosol cans. Follow the directions on the container. CAUTION: **Do not** use window cleaning sprays, acetone, benzene, dry cleaning fluid or lacquer thinner to clean these parts.



Powering Business Worldwide

TO LEVEL AND INCLINE THE CABINET

Please read and follow these instructions carefully.

TOOLS REQUIRED: ¼" socket and ratchet wrench, or 1⅜" open-end wrench and a 24" long level.

IMPORTANT: If possible, adjust the cabinet when it is empty.

On carpeted floors, extend all glides so that the weight of the cabinet is supported by the glides.

Level the cabinet side to side.

Adjust the glides so that the cabinet is higher in the front than the rear (from ⅛" on hard floors, to ¼" or more on heavily carpeted floors). Leveling and inclining the cabinet in this manner will provide better stability, an attractive appearance and ensure the proper functioning and easy operation of the roll-out components;

The glides may also be adjusted externally by one person tilting the unit, while a second person extends them by hand.

CAUTION: If the cabinet is being adjusted in this manner, always be certain the unit is locked, to prevent roll-out components from extending out.

Adjusting with a socket and ratchet wrench (see Figure 1)

To adjust either front glide:

Insert a ¼" socket down through the small hole in the front L.H. or R.H. corner of the cabinet base into the slot in the top of the glide. Turn the ratchet wrench clockwise to raise that corner of the cabinet or counterclockwise to lower it.

To adjust either rear glide:

From the front of the cabinet, reach in and insert the socket down through the large hole in the rear L.H. or R.H. corner of the cabinet base and into the slot in the top of the glide. Turn the ratchet wrench clockwise to raise that corner of the cabinet or counterclockwise to lower it.

Adjusting with a wrench (see Figure 2)

To adjust any glide, front or rear:

Reach under the cabinet base with a 1⅜" open-end wrench and grasp the hex part of the glide. Move the wrench to the left to raise that corner of the cabinet or to the right to lower it.

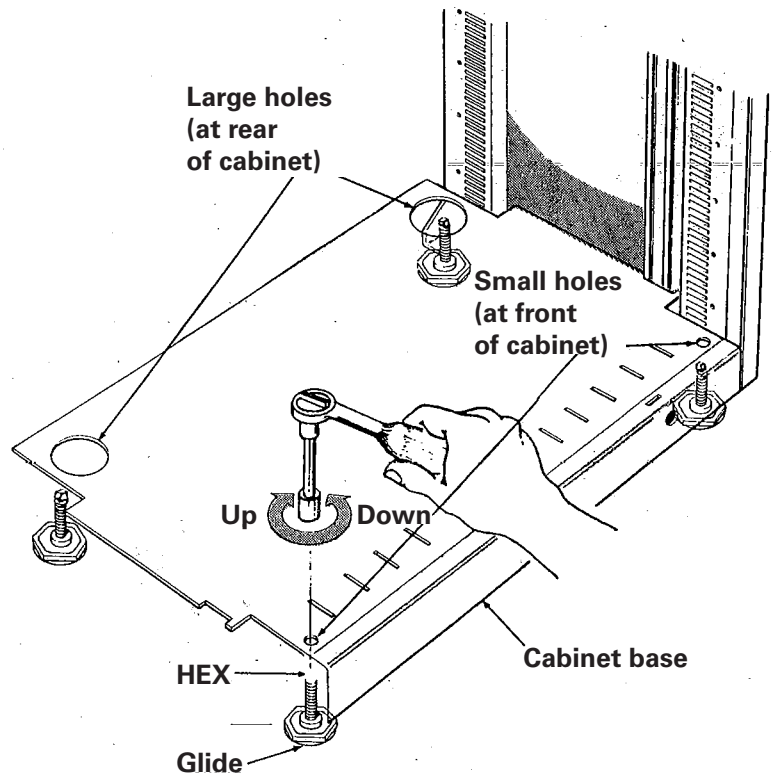


Figure 1. Adjusting with socket and ratchet wrench

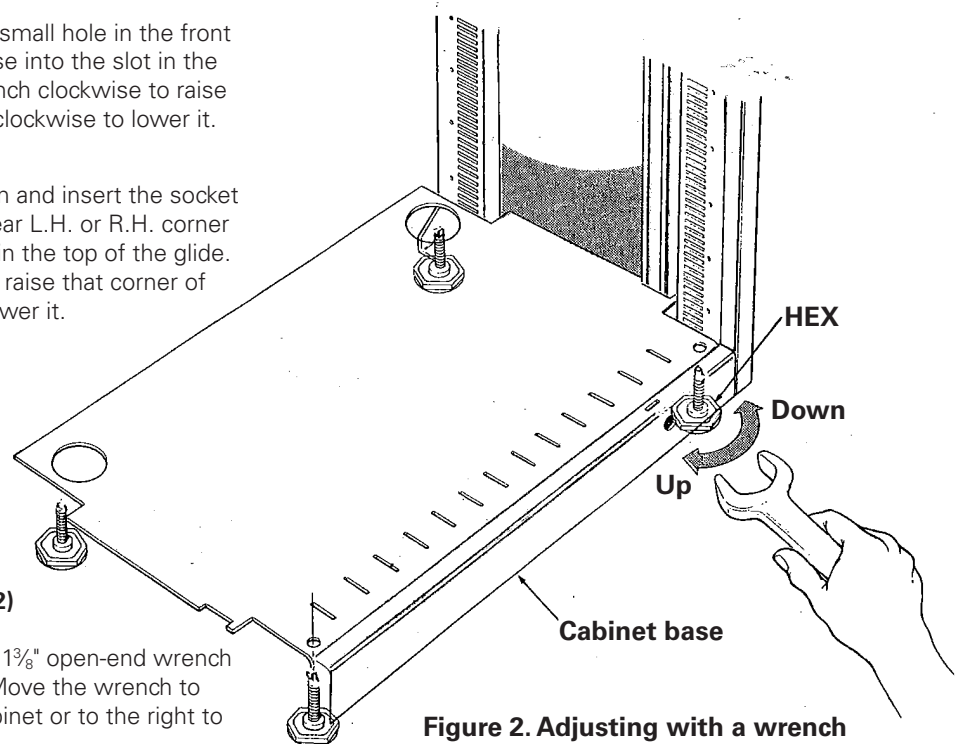


Figure 2. Adjusting with a wrench

Eaton
1000 Eaton Boulevard
Cleveland, OH 44122
United States
Eaton.com

© 2018 Eaton
All Rights Reserved
Printed in USA
Publication No. 1L210018EN
April 2018

EATON
Powering Business Worldwide

Eaton is a registered trademark.

All trademarks are property of their respective owners.