

# Steel Accessories Installation

Name	Item Number	Description	Figure	Included
Shelf	ASHELF	Steel Shelf for Slatwall or LINX Organizer	1	(2) Thick Bumpers, (2) Thin Bumpers
Paper Tray	ATRAY	Paper Tray	2	(2) Thick Bumpers, (2) Thin Bumpers
Phone Holder	APHONE	Telephone Holder	3	(2) Thick Bumpers (2) Thin Bumpers
Binder Bin	ABINDER	Binder Bin Holder	4	(2) Thick Bumpers, (2) Thin Bumpers
Triple Sorter	ASORTER3	Triple File Sorter	5	(2) Thick Bumpers, (2) Thin Bumpers
Triple Sorter	ASORTERL	Double File Sorter Left	6	(2) Thick Bumpers, (2) Thin Bumpers
Triple Sorter	ASORTERR	Double File Sorter Right	6	(2) Thick Bumpers, (2) Thin Bumpers

## Tools Required

- None

1. The Steel Accessories can be used with either the Slatwall or Linx Organizer. Depending on the use, the appropriate bumpers must be used. Install as shown in figures 1 thru 6.

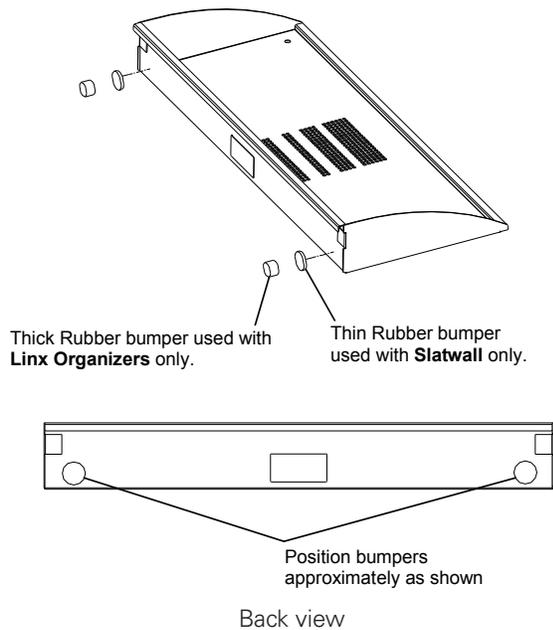


Figure 1  
 ASHELF

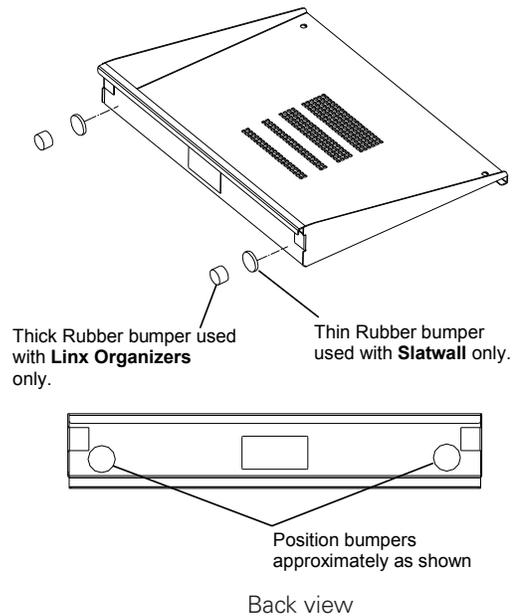


Figure 2  
 ATRAY

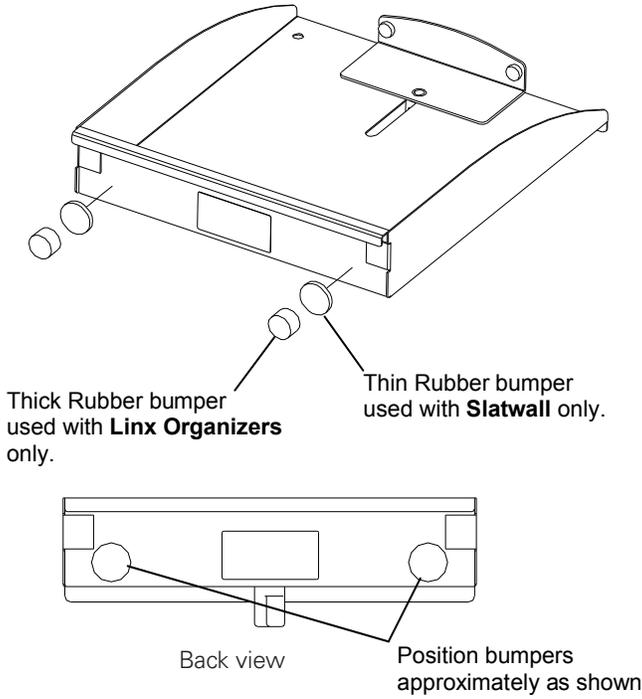


Figure 3. APHONE

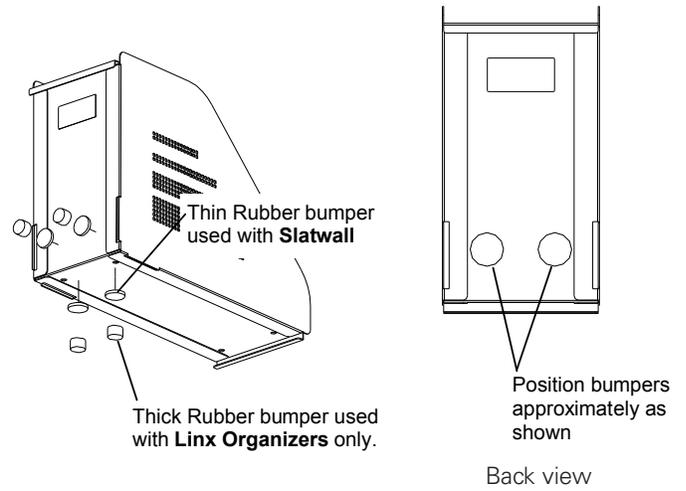


Figure 4. ABINDER

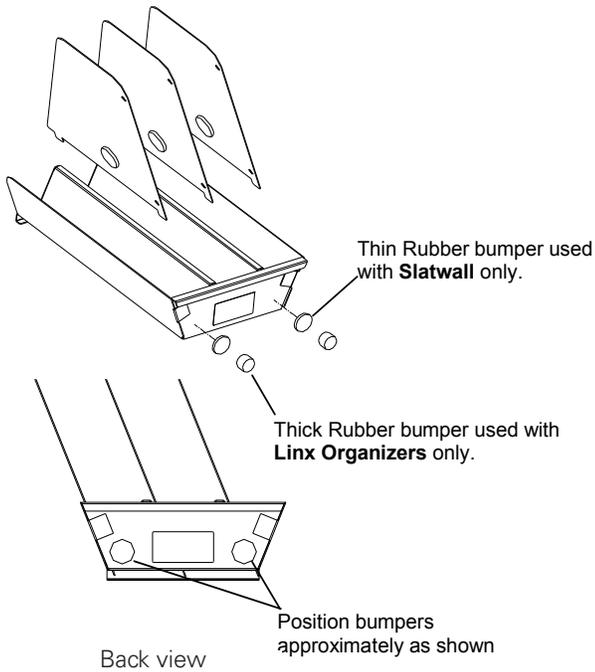


Figure 5. ASORTR3

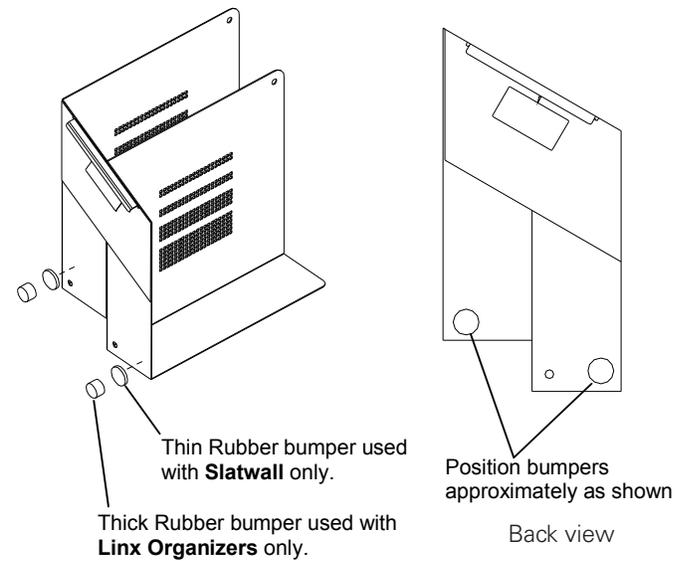


Figure 6. ASORTER2R/ASORTER2L