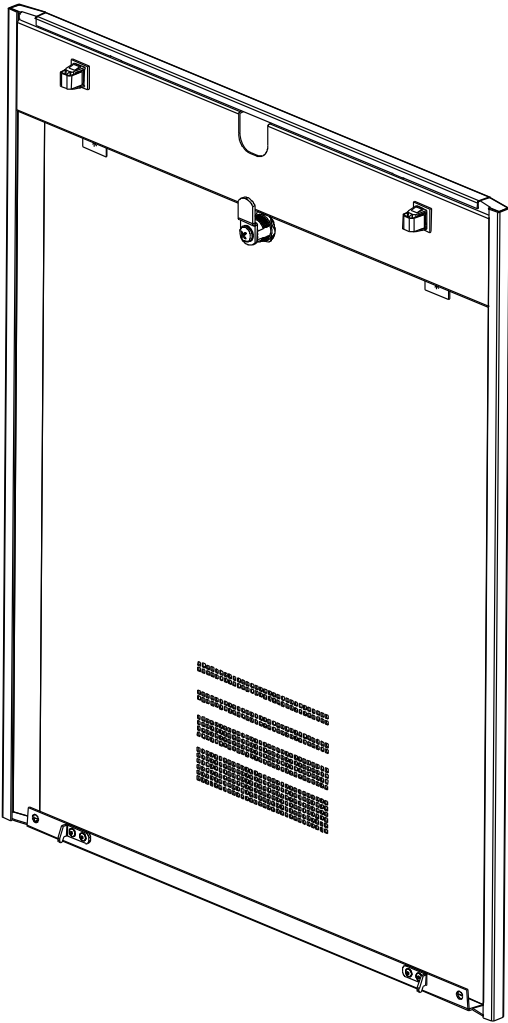


# Installation Guide

Profile Locking Core Skin Panel  
Publication No. MN210001EN



© Copyright 2013 Eaton Corporation, Worcester, MA, USA.

All rights reserved.

Information in this document is subject to change without notice. No part of this document may be reproduced or transmitted in any form or by any means, electronic or mechanical, for any purpose, without the express written consent of Eaton Corporation.

Eaton is a registered trademark of Eaton Corporation or its subsidiaries and affiliates. Phillips is a registered trademark of Phillips Screw Company. All other trademarks are the property of their respective owners.

**Table of Contents**

About this Guide ..... ii  
Intended Audience.....ii  
Technical Support.....ii  
Sales Representative and Contact Information.....ii  
Before You Begin..... 1  
Tools Required..... 1  
Installation Procedure ..... 2

## About this Guide

This document contains instructions for installing Profile locking core skin panels.

## Intended Audience

This document is intended for personnel responsible for installing equipment and accessories in office and IT data center facilities.

## Technical Support

If you encounter any problems with this installation, send an email and detailed description of the problem as well as contact information to Technical Support at [dc.support@eaton.com](mailto:dc.support@eaton.com).

## Sales Representative and Contact Information

Contact your Eaton Sales representative using one of the methods below:

Phone	Call us toll free at 800.225.7348 (US Only) or 508.852.4300
Mail	Eaton 160 Gold Star Boulevard Worcester, MA 01606
Email	<a href="mailto:InfoESWorcesterMA@Eaton.com">InfoESWorcesterMA@Eaton.com</a>
Web	Visit us at <a href="http://www.eaton.com/wrightline">www.eaton.com/wrightline</a> and click on "Contact Us." Simply complete and submit the form as directed on our website.

## **Before You Begin**

Before installing Profile locking core skin panels, it is recommended that you familiarize yourself with the steps outlined in the installation procedure.

## **Tools Required**

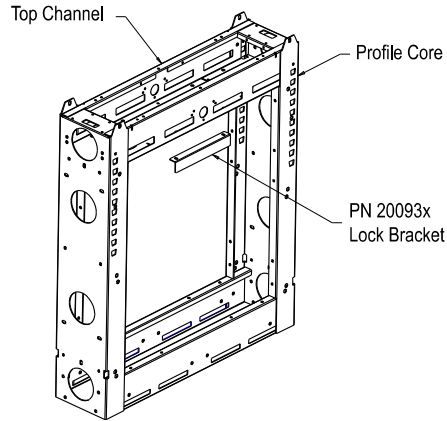
The following tools are required when installing Profile locking core skin panels:

- Power wrench-drill;
- #18 Drill Bit;
- #2 Phillips head screwdriver.

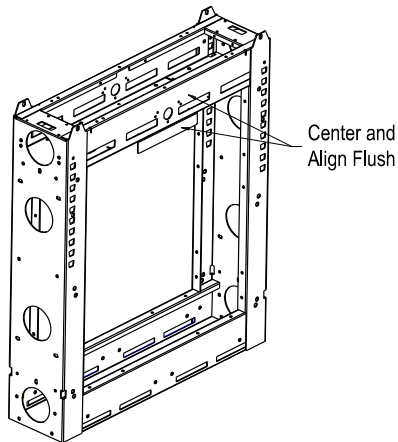
## Installation Procedure

To install Profile locking core skin panels, do the following:

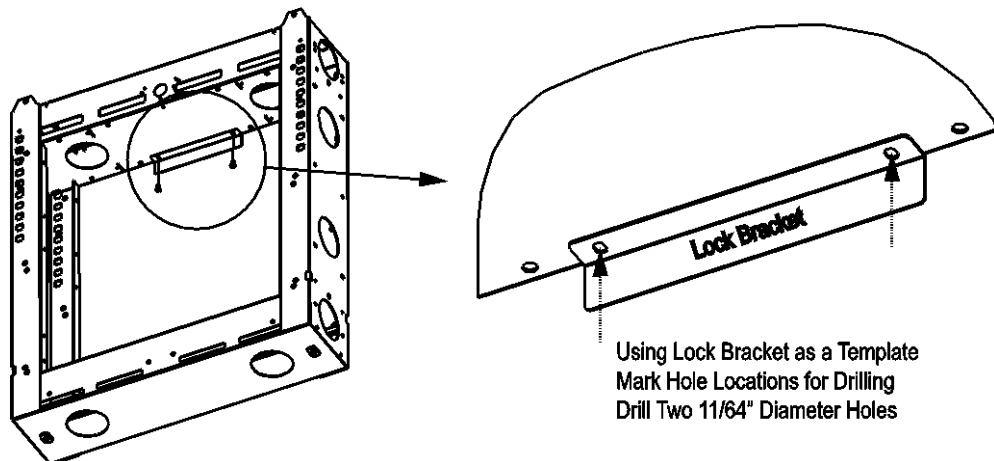
1. Position and center the lock bracket under the core top channel assembly.



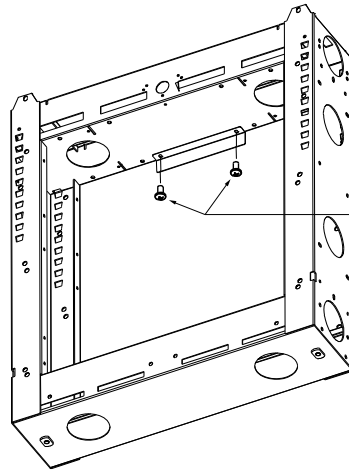
2. Align flange on lock bracket flush with the edge of the top channel assembly, as shown below.



3. Use the lock bracket as a template to mark holes for drilling. Then drill two 11/64" holes using a #18 drill bit.

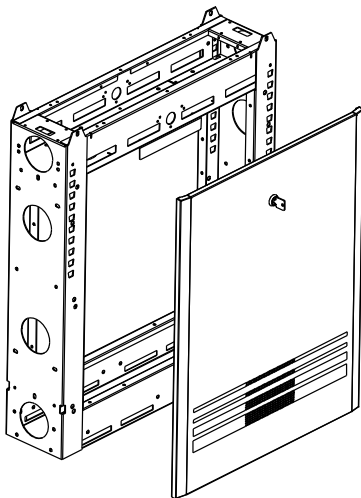


- Using a #2 Phillips screwdriver, attach the lock bracket to the core with two #10-24 x 3/8" Phillips, pan-head, black oxide, thread forming screws (PN 66714).



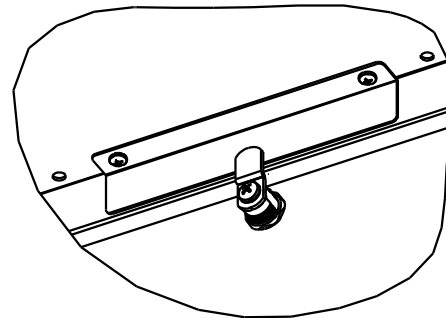
PN 66714  
#10-24 x 3/8"  
Phillips, Pan-Head,  
Black Oxide, Thread  
Forming Screw

- Attach removable locking core skin panel to core and lock into place, as shown below.



Removable Locking  
Core Skin Panel

Engage Lock with Lock Bracket  
as Shown Here



**This procedure is complete.**

© Copyright 2013 Eaton Corporation, Worcester, MA, USA.

All rights reserved.

Information in this document is subject to change without notice. No part of this document may be reproduced or transmitted in any form or by any means, electronic or mechanical, for any purpose, without the express written consent of Eaton Corporation.

Eaton is a registered trademark of Eaton Corporation or its subsidiaries and affiliates. Phillips is a registered trademark of Phillips Screw Company. All other trademarks are the property of their respective owners.

**Eaton Corporation**  
Electrical Sector  
1111 Superior Ave.  
Cleveland, OH 44114  
United States 877-ETN-CARE (877-386-2273)  
Eaton.com © 2013

Eaton Corporation  
All Rights Reserved  
Publication No.MN210001EN

**To contact an Eaton salesperson  
or local distributor, please visit  
[www.eaton.com/wrightline](http://www.eaton.com/wrightline) or  
call 800-225-7348.**

**EATON**

*Powering Business Worldwide*