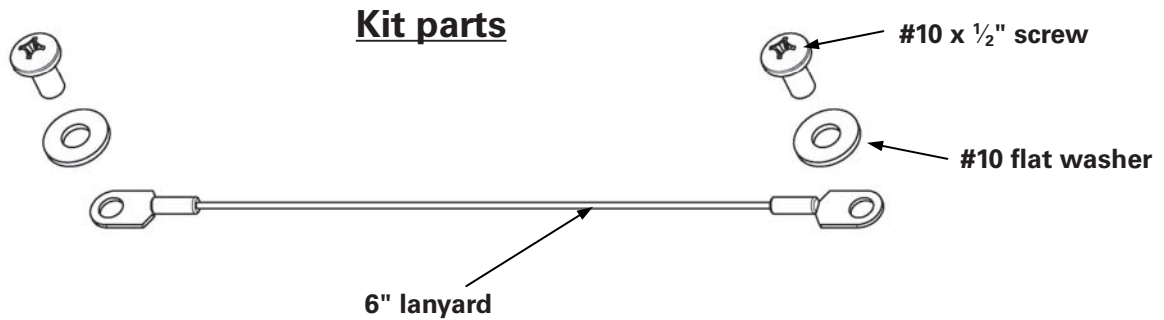
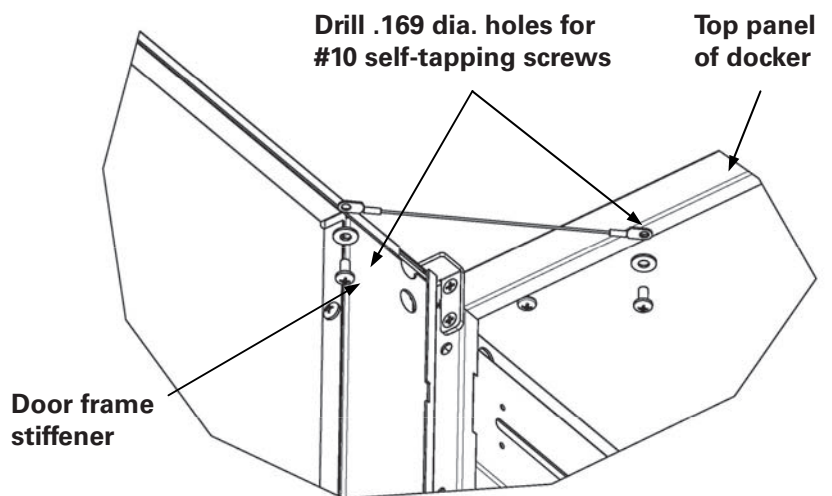
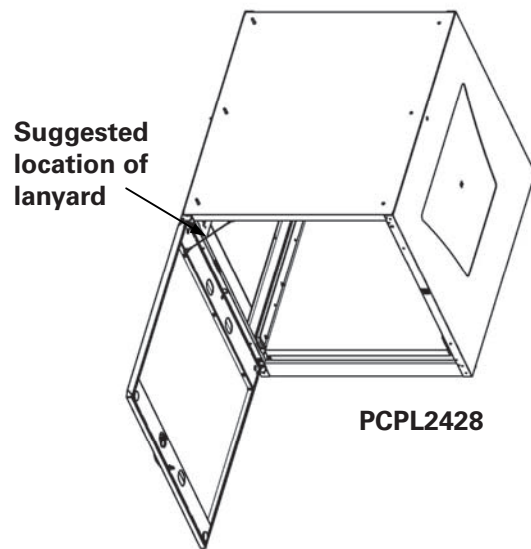


Profile - Docker door lanyard kit



1. Determine appropriate locations to mount the Lanyard so that door swings to desired maximum open position.
2. Drill .169 dia hole in flange at top of Docker housing.
3. Drill second .169 dia. hole in desired location on door frame.
4. Attach Lanyard with screws/washers as shown.



Eaton
1000 Eaton Boulevard
Cleveland, OH 44122
United States
Eaton.com

© 2018 Eaton
All Rights Reserved
Printed in USA
Publication No. IL210005EN
March 2018

Eaton is a registered trademark.

All trademarks are property of their respective owners.