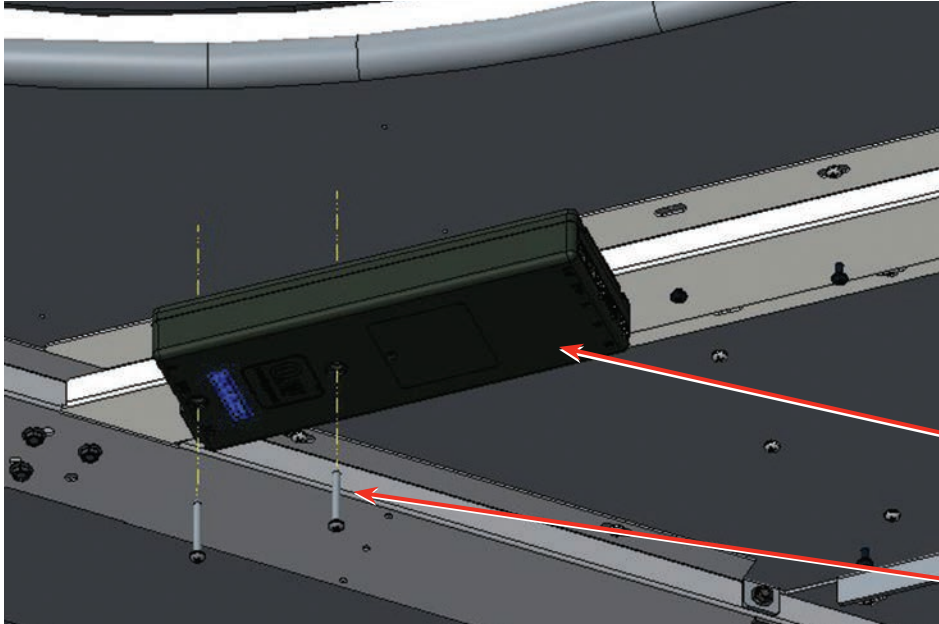


CBD6 Control box installation



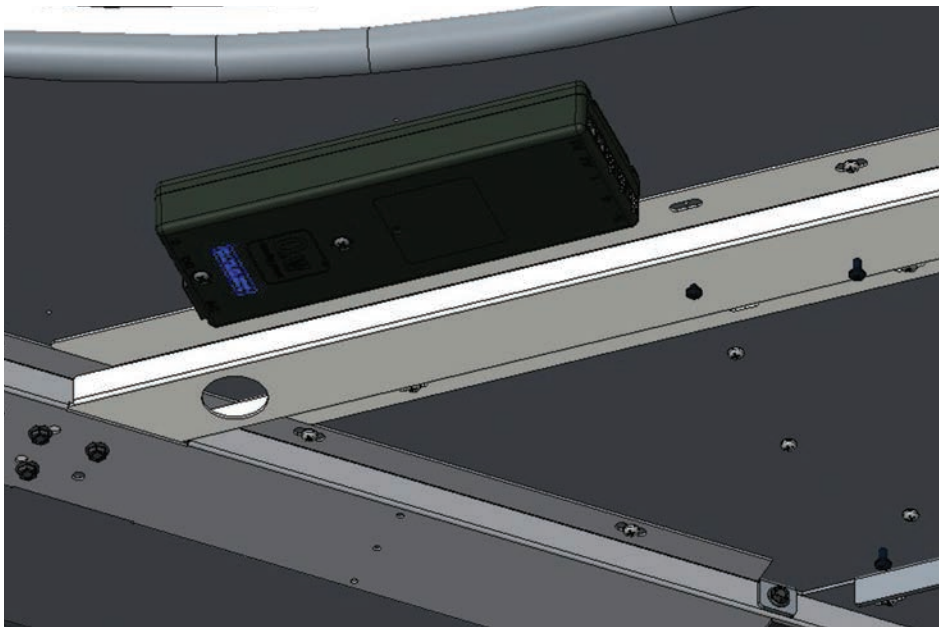
CBD6 installation

Secure the Linak CBD6 Control Box to the underside of the work surface(s).

- Align box to ensure plenty of clearance for power and connecting cables.
- Use the #10 Self Tapping Screws (2X) to attach to underside of work surface, utilizing the two clearance holes as shown.
- Connect all cables and route using supplied cable management hardware.

**Linak CBD6
Control Box**

**Screw #10
Self Tapping (2X)**



Eaton
1000 Eaton Boulevard
Cleveland, OH 44122
United States
Eaton.com

© 2017 Eaton
All Rights Reserved
Printed in USA
Publication No. IL211002EN
December 2017

B-Line Division
509 West Monroe Street
Highland, IL 62249
United States
Eaton.com/b-lineseries

Eaton is a registered trademark.
All other trademarks are property
of their respective owners.