

Single Sheet Filter
BECO INTEGRA® SOLO 300 – 1200

Universal Enclosed Depth Filtration System for a Diverse Range of Applications

The BECO INTEGRA SOLO single-sheet filter is ideal for difficult filtration tasks in the biotechnology, chemical, cosmetics, pharmaceutical, and food industries. The system separates and washes solids from suspensions after precipitation or crystallization processes, or for the processing of pre-coat residues.

The BECO INTEGRA SOLO mobile single-sheet filter system's filling space is designed as a pressure vessel with a level filter bottom that drops for cleaning, and a horizontal depth filter medium. The pressure vessel, with optional thermal/insulating jacket, closes with clamp screws and seals with an O-ring. BECO® depth filter sheet, filter cloth, or metal composite plate filtration is optional. For the manual discharge of the filter cake, the bottom part drops via a spindle or hydraulics.

Special Features

- **Multiple process steps** such as extraction, filtration, washing, dissolving, and discoloration in one device.
- **Simple** handling through ergonomic design. Easy replacement of the BECO depth filter sheet/filter cloth, **simple and thorough cleaning**
- **CIP** possible by using rotating spray nozzles that eliminate dirt residues in corners
- The design and construction of BECO INTEGRA SOLO single-sheet filter complies with the requirements of the **GMP guidelines** and the **FDA regulations**

Customization or additional components allow for system expansion or complete systems according to customer specifications.



Technical Data

Operating pressure:	-14.5/+87 psi (-100/+600 kPa, -1/+6 bar)
Operating temperature:	14 – 320 °F (-10/+160 °C)
Calculated temperature:	392 °F (200 °C)

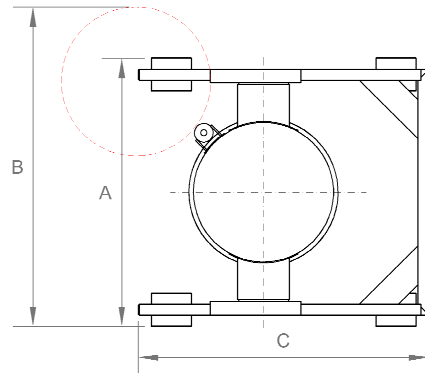
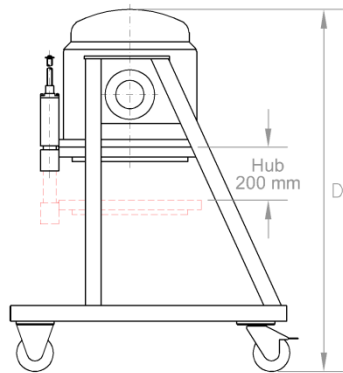
Materials

Product contacting parts:	Stainless steel AISI 316L / AISI 316Ti Hastelloy, Enamel, fluoropolymeric coatings
Others:	Stainless steel AISI 304
Gaskets, O-rings:	EPDM, Silicone, Viton, FEP coated (FDA listed)
Filter material:	BECO depth filter sheet, filter cloth and/or metal compound plate
Connections:	Flange according to EN 1092-1 or tri-clamp, sterile flange, round thread etc.
Chassis:	Stainless steel AISI 304

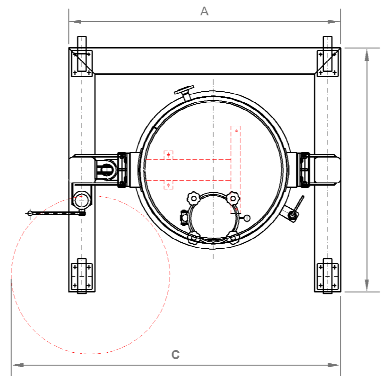
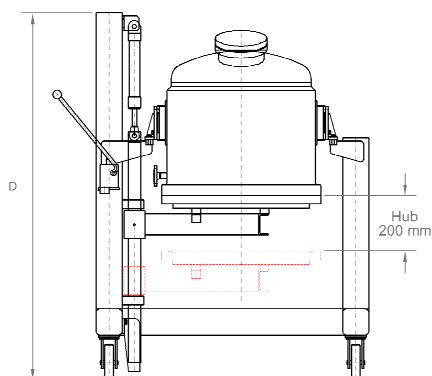
Other possible features: agitator, quick closing device, tilting device, special designs possible

Type	Depth filter sheets/depth filter media Ø	Filter area	Filling volume	Solids capacity at a cake volume of 7.87 in (200 mm)	Weight of filter	Measurements			
						in (mm)	ft ² (m ²)	gal (l)	gal (l)
300	11.81 (300)	0.65 (0.06)	7.93 (30)	3.17 (12)	353 (160)	32.48 (825)	41.34 (1,050)	41.34 (1,050)	63.00 (1,600)
450	17.72 (450)	1.72 (0.16)	17.17 (65)	8.45 (32)	551 (250)	38.39 (975)	41.34 (1,050)	47.24 (1,200)	55.12 (1,400)
600	23.62 (600)	2.80 (0.26)	33.02 (125)	13.74 (52)	992 (450)	44.88 (1,140)	59.10 (1,500)	56.70 (1,440)	59.10 (1,500)
800	31.50 (800)	5.17 (0.48)	84.54 (320)	23.36 (96)	2.425 (1,100)	54.33 (1,380)	53.15 (1,350)	70.08 (1,780)	78.74 (2,000)
1000	39.37 (1,000)	8.18 (0.76)	166.43 (630)	40.15 (152)	3.748 (1,700)	63.78 (1,620)	66.93 (1,700)	82.68 (2,100)	80.71 (2,050)
1200	47.24 (1,200)	11.73 (1.09)	290.59 (1100)	57.59 (218)	5.512 (2,500)	73.23 (1,860)	72.83 (1,850)	92.52 (2,350)	83.46 (2,120)

Socket list	300 – 600	800	1000 – 1200	According to
Feed	DN 25	DN 40	DN 40	EN 1092-1
Filtrate	DN 25	DN 40	DN 40	EN 1092-1
Aeration/De-aeration	--	--	DN 25	EN 1092-1
Safety valve	--	--	DN 40	EN 1092-1
Safety fitting	DN 25	DN 25	--	EN 1092-1
Pressure gauge	--	--	DN 25	EN 1092-1
Stand by	DN 65	DN 65	DN 65	EN 1092-1



Single-sheet filter BECO INTEGRA SOLO 300 – 600



Single-sheet filter BECO INTEGRA SOLO 800 – 1200

North America
44 Apple Street
Tinton Falls, NJ 07724
Toll Free: 800 656-3344
(North America only)
Tel: +1 732 212-4700

China
No. 3, Lane 280,
Linhong Road
Changning District, 200335
Shanghai, P.R. China
Tel: +86 21 5200-0099

Europe/Africa/Middle East
Auf der Heide 2
53947 Nettersheim, Germany
Tel: +49 2486 809-0

Friedensstraße 41
68804 Altlußheim, Germany
Tel: +49 6205 2094-0

Singapore
4 Loyang Lane #04-01/02
Singapore 508914
Tel: +65 6825-1668

An den Nahewiesen 24
55450 Langenlonsheim, Germany
Tel: +49 6704 204-0

Brazil
Av. Julia Gaioli, 474 –
Bonsucesso
07251-500 – Guarulhos, Brazil
Tel: +55 11 2465-8822

**For more information, please
email us at filtration@eaton.com
or visit www.eaton.com/filtration**

EN
1 A 2.6.20.1
08-2015

© 2015 Eaton. All rights reserved. All trademarks and registered trademarks are the property of their respective owners. All information and recommendations appearing in this brochure concerning the use of products described herein are based on tests believed to be reliable. However, it is the user's responsibility to determine the suitability for his own use of such products. Since the actual use by others is beyond our control, no guarantee, expressed or implied, is made by Eaton as to the effects of such use or the results to be obtained. Eaton assumes no liability arising out of the use by others of such products. Nor is the information herein to be construed as absolutely complete, since additional information may be necessary or desirable when particular or exceptional conditions or circumstances exist or because of applicable laws or government regulations.