

Enclosed Plate and Frame Filter BECO INTEGRA® PLATE 200 EP

Stainless Steel Chassis, Plastic Filter Plates, and Cake Frames for Lab and Research Center

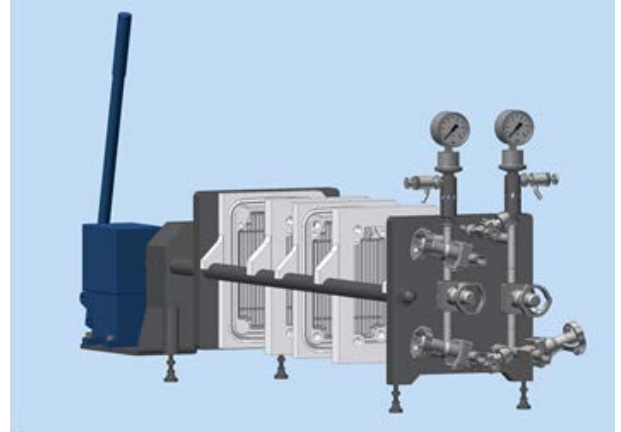
BECO INTEGRA PLATE 200 EP enclosed plate and frame filter is the depth filtration system for critical filtration tasks in the pharmaceutical and biotech, chemical, cosmetics, and food industries.

BECO INTEGRA PLATE 200 EP plate and frame filter is a multi-sheet filter with external chamber. Depth filter sheets seal the product channels. Gaskets at the external chamber seal the entire filter package.

Special Features

- **CIP** of filter package without depth filter sheets.
- **Complete drainage** of filter due to unique filter plate design.
- **Safe operation:** No drip loss due to sealed external chamber.
- **Easy handling** and **good cleanability** thanks to ergonomic design of chassis, and open support grid of filter plates; cake discharge downwards into tray underneath of filter package.
- **High flexibility:** The filter can be used as a sheet filter or as a pre-coat filter. For pre-coating/removing of high particle load, cake frames in different widths are available.
- BECO INTEGRA PLATE 200 EP plate and frame filter is designed and manufactured according to the **cGMP guidelines** and the **FDA regulations**.

Customization or additional components allow for system expansion or complete systems according to customer specifications.



Technical Data

Operating pressure/temperature:	max. 72.5 psi (500 kPa/5 bar) at 104 °F (40 °C) max. 29 psi (200 kPa/2 bar) at 140 °F (60 °C)
CIP	Max. 14.-5 psi (100 kPa/1 bar) at 185 °F (85 °C)
Differential pressure/temperature:	max. 43.5 psi (300 kPa/3 bar) at 104 °F (40 °C)
Filter area per sheet:	0.3 ft ² (0.028 m ²)

Materials

Product contacting parts:	Polypropylene/ Stainless steel AISI 316L
Other parts:	Stainless steel AISI 304
Gaskets/O-rings:	Silicone, EPDM (FDA listed), Viton

Type	Filter area		Cake volume*		Chassis size	Filter plates/ cake frames	Depth filter sheets 6.14 x 9.04 in (156 x 229.5 mm)		Weight approx. ≈ lb (kg)
	ft ²	(m ²)	gal	(l)			qty.	qty.	
200 SF with 0.91" (23 mm) feeding elements	7.84	(0.728)	--	--	1	12/13	26	330 (150)	
200 ASF with 0.79" (20 mm) cake frames	9.04	(0.840)	1.66	(6.3)	1	14/15	30	322 (146)	
200 ASF with 1.18" (30 mm) cake frames	7.23	(0.672)	2.22	(8.4)	1	11/12	24	318 (144)	
200 ASF with 1.57" (40 mm) cake frames	6.03	(0.560)	2.59	(9.8)	1	9/10	20	313 (142)	
200 ASF with 2.36" (60 mm) cake frames	4.82	(0.448)	3.25	(12.3)	1	7/ 8	16	313 (142)	

* usable cake volume

Filter Plates/Cake Frames

	Width		Cake volume*		Weight	
	in (mm)	gal	(l)	lb	(kg)	(kg)
Initial/ end plate	0.91 (23)			2.65	(1.2)	
Filter plate	0.91 (23)			2.43	(1.1)	
Cake frame	0.79 (20)	0.11	(0.42)	1.32	(0.6)	
Cake frame	1.18 (30)	0.18	(0.70)	1.76	(0.8)	
Cake frame	1.57 (40)	0.26	(0.98)	2.43	(1.1)	
Cake frame	2.36 (60)	0.40	(1.51)	3.75	(1.7)	

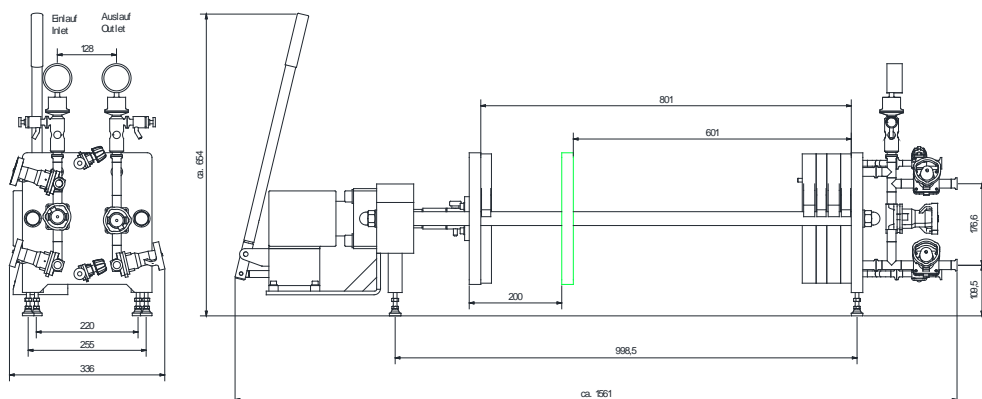
* usable cake volume

Connections

Filter inlet:	TC 3/4" ISO2852/ASME BPE
Filter outlet:	TC 3/4" ISO2852/ASME BPE
External chamber:	TC 1/2" ISO2852/ASME BPE

Other Connections

Threaded connections according to DIN 1151/11864



North America
44 Apple Street
Tinton Falls, NJ 07724
Toll Free: 800 656-3344
(North America only)
Tel: +1 732 212-4700

China
No. 3, Lane 280,
Linhong Road
Changning District, 200335
Shanghai, P.R. China
Tel: +86 21 5200-0099

Europe/Africa/Middle East
Auf der Heide 2
53947 Nettersheim, Germany
Tel: +49 2486 809-0

Friedensstraße 41
68804 Altlufßheim, Germany
Tel: +49 6205 2094-0

Singapore
4 Loyang Lane #04-01/02
Singapore 508914
Tel: +65 6825-1668

An den Nahewiesen 24
55450 Langenlonsheim, Germany
Tel: +49 6704 204-0

Brazil
Av. Julia Gaioli, 474 –
Bonsucesso
07251-500 – Guarulhos, Brazil
Tel: +55 11 2465-8822

**For more information, please
email us at filtration@eaton.com
or visit www.eaton.com/filtration**

EN
1 A 2.6.11.9
08-2015

© 2015 Eaton. All rights reserved. All trademarks and registered trademarks are the property of their respective owners. All information and recommendations appearing in this brochure concerning the use of products described herein are based on tests believed to be reliable. However, it is the user's responsibility to determine the suitability for his own use of such products. Since the actual use by others is beyond our control, no guarantee, expressed or implied, is made by Eaton as to the effects of such use or the results to be obtained. Eaton assumes no liability arising out of the use by others of such products. Nor is the information herein to be construed as absolutely complete, since additional information may be necessary or desirable when particular or exceptional conditions or circumstances exist or because of applicable laws or government regulations.