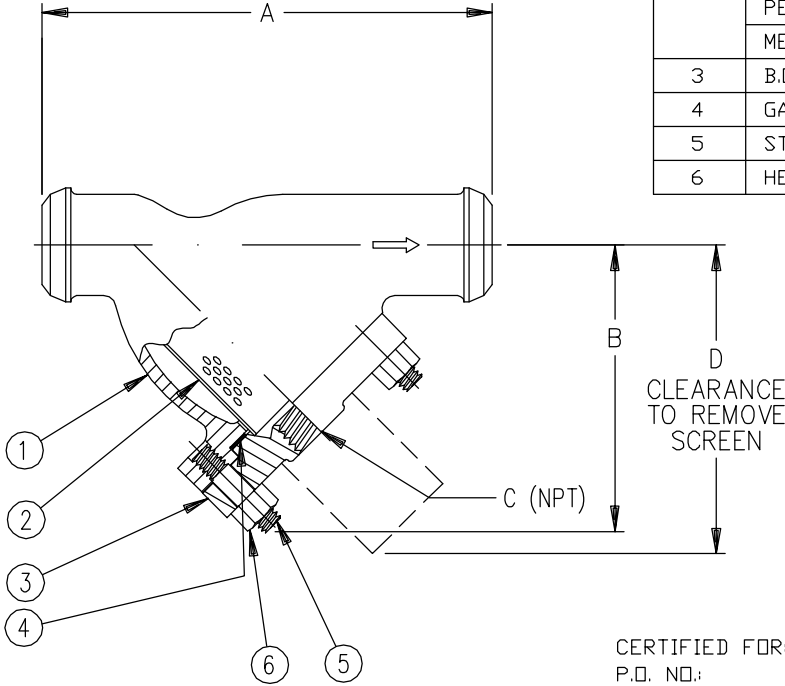


NO.	PART NAME	MATERIAL
1	BODY	CSTL ASTM A216 GR. WCB
2	SCREEN	
	PERF. DIA.	
	MESH	
3	B.O. FLANGE	CSTL ASTM A216 GR. WCB
4	GASKET	NON-ASBESTOS
5	STUD	STEEL ASTM A193 GR. B7
6	HEX NUT	STEEL ASTM A194 GR. 2H



NOTES:

1. INLET/OUTLET BWE CONNECTIONS SCH STD. WGT. BORE.
2. BOLT HOLES STRADDLE CENTERLINE.
3. SIZES 6" TO 10" HAVE FLAT FACE B.O. FLANGE. SMALLER SIZES HAVE RECESSED SEAL AS SHOWN.
4. SIZES 1/2" TO 1-1/4" HAVE 2 BOLT OVAL B.O. FLANGES.
5. SIZES 2" TO 4" HAVE 4 BOLT SQUARE B.O. FLANGES.
6. ALL OTHERS HAVE CIRCULAR B.O. FLANGES.
7. PRESSURE RATING: 285 PSI @ 100° F (19.6 BAR @ 37.8° C)

CERTIFIED FOR:

P.O. NO.:

REG. NO.:

TAG NO.:

QUOTE NO.:

PIPE SIZE (NOMINAL)	DIMENSIONS				WEIGHT (APPROX.) (DRY)		PART NO.
	A IN. MM.	B IN. MM.	C (NOM.) IN. MM.	D IN. MM.	LBS.	KGS.	
1/2" (15mm)	5.00 / 127	2.75 / 70	3/8 (10)	3.50 / 89	5 / 2.3		SY085005BB30A
3/4" (20mm)	5.63 / 143	3.00 / 76	3/8 (10)	4.00 / 102	7 / 3.2		SY085007BB30A
1" (25mm)	6.38 / 162	3.62 / 92	1/2 (15)	5.00 / 127	9 / 4.1		SY085010BB30A
1-1/4" (32mm)	7.25 / 184	4.25 / 108	3/4 (20)	5.75 / 146	14 / 6.3		SY085012BB30A
1-1/2" (40mm)	8.88 / 226	5.75 / 146	3/4 (20)	6.50 / 165	18 / 8.2		SY085015BB30A
2" (50mm)	7.88 / 200	6.00 / 152	1 (25)	8.25 / 210	16 / 7.3		SY085020BB30A
2-1/2" (65mm)	9.75 / 248	6.50 / 165	1 (25)	9.25 / 235	25 / 11.4		SY085025BB30A
3" (80mm)	10.00 / 254	7.25 / 184	1-1/4 (32)	10.50 / 267	35 / 16.0		SY085030BB30A
4" (100mm)	12.13 / 308	9.75 / 248	1-1/2 (40)	14.75 / 375	70 / 31.8		SY085040BB30A
6" (150mm)	18.50 / 470	14.25 / 362	2 (50)	21.00 / 533	130 / 59.1		SY085060BB30A
8" (200mm)	21.63 / 549	18.00 / 457	2 (50)	26.75 / 679	240 / 109.1		SY085080BB30A
10" (250mm)	26.00 / 660	22.25 / 565	2 (50)	33.75 / 857	300 / 136.4		SY085100BB30A

<b>EATON</b>		<b>EATON FILTRATION, LLC</b>	
		900 FAIRMOUNT AVENUE, ELIZABETH, NEW JERSEY 07207	
NAME		MODEL 85 Y-STRAINER 150# BUTTWELD END CONNECTIONS SIZES 1/2" THRU 10" CARBON STEEL	
DRAWN	FM	DATE	7/1/93
CERT.	FC	DATE	7/2/93
SIZE	DWG NO	SD085276	
A		REV B	

UNAUTHORIZED USE, MANUFACTURE OR REPRODUCTION IN WHOLE OR IN PART IS PROHIBITED. DRAWING, DESIGN AND OTHER DISCLOSURES PROPERTY OF EATON FILTRATION, LLC

ELECTRONIC FILE NAME: SD085276.DWG

REF. ECR D507 DATE 11/1/05