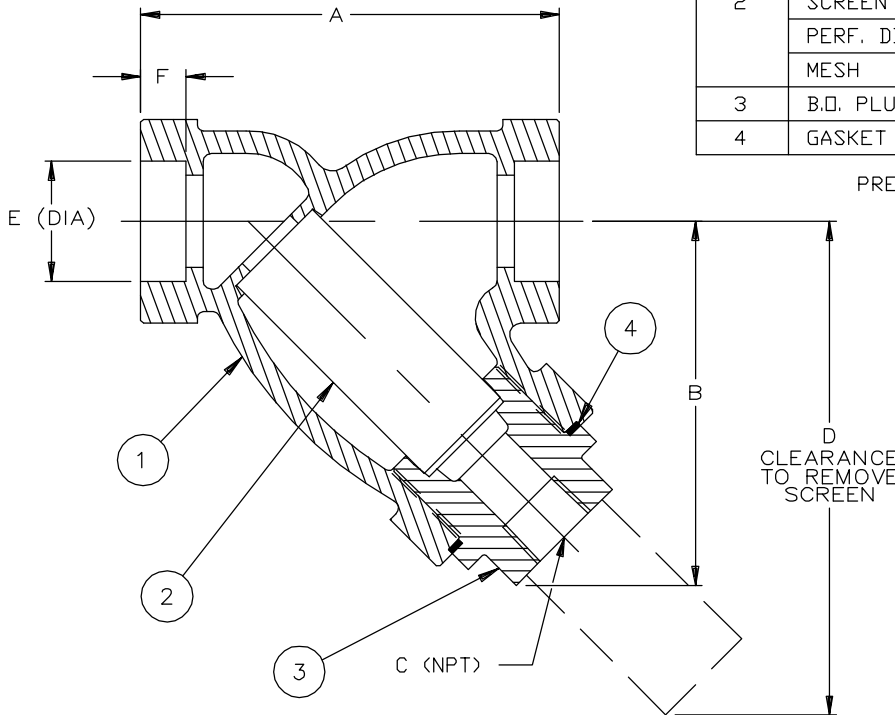


NO.	PART NAME	MATERIAL
1	BODY	SSTL ASTM A351 GR. CF8M
2	SCREEN	
	PERF. DIA. MESH	
3	B.O. PLUG	SSTL ASTM A351 GR. CF8M
4	GASKET	NON-ASBESTOS

PRESSURE RATING: 1440 PSI @ 100° F
(99 BAR @ 37.8° C)



CERTIFIED FOR:
P.O. NO.:
REG. NO.:
TAG NO.:

QUOTE NO.:

PIPE SIZE (NOMINAL)	DIMENSIONS						WEIGHT (APPROX.) (DRY) LBS. KGS.		PART NO.
	A IN. MM.	B IN. MM.	C (NOM) IN. MM.	D IN. MM.	E IN. MM.	F IN. MM.			
1/4" (8mm)	3.00 / 76	3.00 / 76	3/8 (10)	4.00 / 102	0.56 / 14	0.38 / 10	2 / 0.9		SY085002ES20A
3/8" (10mm)	3.00 / 76	3.00 / 76	3/8 (10)	4.00 / 102	0.69 / 18	0.38 / 10	2 / 0.9		SY085003ES20A
1/2" (15mm)	3.00 / 76	3.00 / 76	3/8 (10)	4.00 / 102	0.86 / 22	0.38 / 10	2 / 0.9		SY085005ES20A
3/4" (20mm)	3.75 / 95	3.50 / 89	3/8 (10)	4.75 / 121	1.07 / 27	0.50 / 13	4 / 1.8		SY085007ES20A
1" (25mm)	4.63 / 118	4.00 / 102	1/2 (15)	5.75 / 146	1.33 / 34	0.50 / 13	6 / 2.7		SY085010ES20A
1-1/4" (32mm)	5.00 / 127	4.63 / 118	3/4 (20)	6.50 / 165	1.68 / 43	0.50 / 13	8 / 3.6		SY085012ES20A
1-1/2" (40mm)	5.63 / 143	5.25 / 133	3/4 (20)	7.50 / 191	1.92 / 49	0.50 / 13	10 / 4.5		SY085015ES20A
2" (50mm)	7.00 / 178	5.75 / 146	1 (25)	8.75 / 222	2.41 / 61	0.62 / 16	15 / 6.8		SY085020ES20A

EATON		EATON FILTRATION, LLC	
		900 FAIRMOUNT AVENUE, ELIZABETH, NEW JERSEY 07207	
NAME		MODEL 85 Y-STRAINER	
CLASS 600 SOCKETWELD CONNECTIONS		SIZES 1/4" THRU 2" STAINLESS STEEL	
DRAWN	FC	DATE	7/6/93
CERT.	FM	DATE	7/6/93
SIZE	DWG NO	SD085172	
A		REV D	

ELECTRONIC FILE NAME: SD085172.DWG

REF. ECR D507 DATE 11/1/05

UNAUTHORIZED USE, MANUFACTURE OR REPRODUCTION IN WHOLE OR IN PART IS PROHIBITED. DRAWING, DESIGN AND OTHER DISCLOSURES PROPERTY OF EATON FILTRATION, LLC

REV 8/00