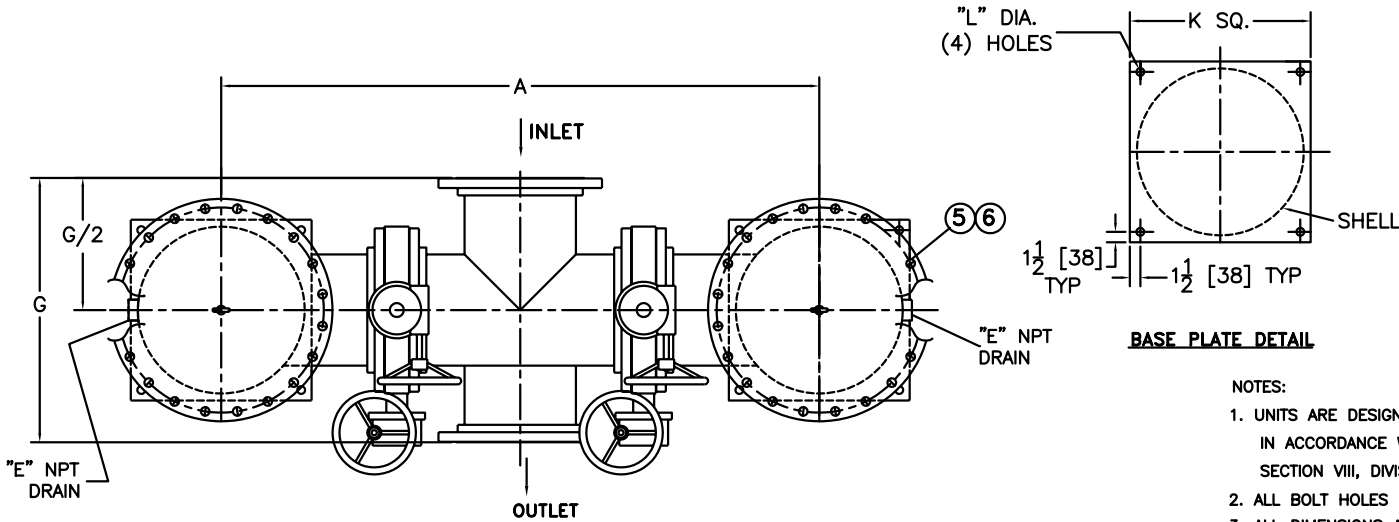


PIPE SIZE (NOMINAL)	DIMENSIONS										APPROX. WEIGHT LBS. KG	PART NO.
	A IN. MM	B IN. MM	C IN. MM	D IN. MM	E IN. MM	F IN. MM	G IN. MM	H IN. MM	K IN. MM	L IN. MM		
14 (350 mm)	84.00 / 2134	63.00 / 1600	20.00 / 508	27.00 / 685	1-1/2 / 40	16.00 / 406	32.00 / 813	4.00 / 102	23.00 / 584	1.00 / 25	4000 / 1814	ST952140BR3BA
16 (400 mm)	86.00 / 2184	68.00 / 1727	24.00 / 610	27.00 / 685	1-1/2 / 40	18.00 / 457	34.00 / 864	4.00 / 102	26.00 / 660	1.13 / 29	4680 / 2123	ST952160BR3BA
18 (450 mm)	90.00 / 2286	69.00 / 1753	24.00 / 610	30.00 / 762	2 / 50	19.00 / 483	38.00 / 965	4.75 / 121	26.00 / 660	1.13 / 29	6200 / 2813	ST952180BR3BA
20 (500 mm)	106.00 / 2692	90.00 / 2286	30.00 / 762	36.00 / 914	2 / 50	22.00 / 559	40.00 / 1016	4.75 / 121	38.00 / 965	1.13 / 29	8900 / 4037	ST952200BR3BA
24 (600 mm)	121.00 / 3073	100.00 / 2540	30.00 / 762	48.00 / 1219	2 / 50	24.00 / 610	46.00 / 1168	4.75 / 121	38.00 / 965	1.13 / 29	10050 / 4559	ST952240BR3BA



NO.	PART NAME	MATERIAL
1	BODY	CARBON STEEL
2	BASKET	-
	PERF. DIA.	-
	MESH	-
3	GASKET	NON ASBESTOS
4	COVER	CARBON STEEL
5	BOLTS	A 193 B7
6	NUTS	A 194 2H

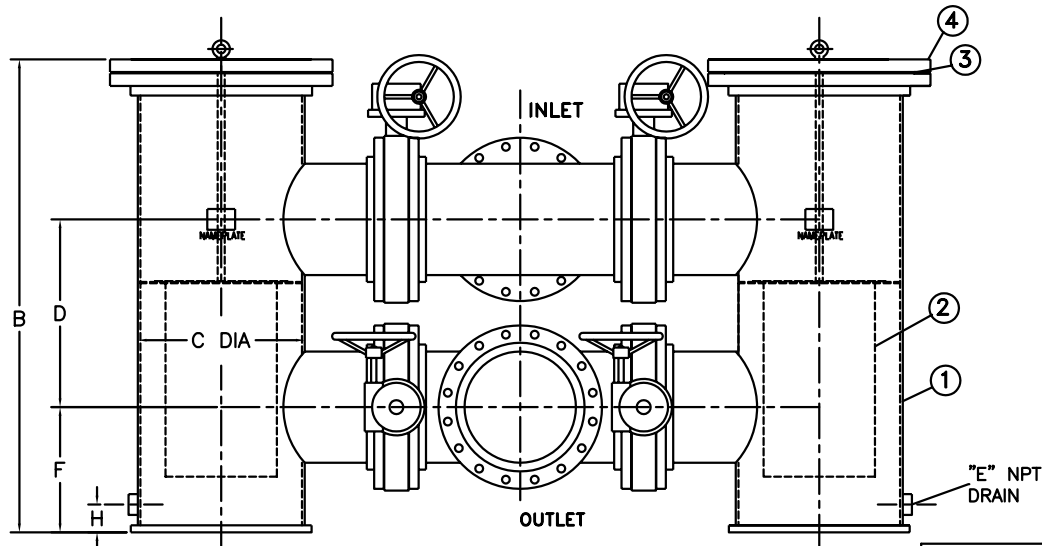
BASE PLATE DETAIL

NOTES:

- UNITS ARE DESIGNED & FABRICATED AND "U" STAMPED (IF REQ'D.), IN ACCORDANCE WITH THE ASME BOILER & PRESSURE VESSEL CODE SECTION VIII, DIVISION 1, IN COMPLIANCE TO CURRENT PUBLISHED ADDENDA.
- ALL BOLT HOLES STRADDLE NATURAL CENTERLINES.
- ALL DIMENSIONS ARE IN INCHES [MM].
- ALL FITTINGS CONFORM WITH ASME B16.5.
- DESIGN PRESSURE: 150 PSIG @ 150°F (10.3 BARG @ 65.6°C)
MDMT: -20°F @ 150 PSIG (MDMT: -28.9°C @ 10.3 BAR)
- VALVES: BUTTERFLY VALVE, WAFER STYLE, C.I. BODY, D.I. DISC, S. STEEL SHAFT, PTFE BUSHING, EPDM SEATS W/ GEAR OPERATOR
- PAINT: PER STD. ES-309

CERTIFIED FOR:

P.O. NO.:
REG. NO.:
QUOTE NO.:
TAG NO.:



UNAUTHORIZED USE, MANUFACTURE OR REPRODUCTION IN WHOLE OR IN PART IS PROHIBITED. DRAWING, DESIGN AND OTHER DISCLOSURES PROPERTY OF EATON FILTRATION, LLC

ELECTRONIC FILE NAME: SD952BC3
REF. ECR 0052264 DATE 3/11/11

		EATON FILTRATION, LLC 70 WOOD AVENUE SOUTH, ISELIN, NEW JERSEY 08830					
		NAME MODEL 950B DUPLEX STRAINER 150# RF FLANGE BOLTED COVER SIZES 14" - 24" CARBON STEEL					
DRAWN	LH	DATE	05/16/07	CERT.	FM	DATE	05/17/07
SIZE	DWG NO	SD952BC3				REV	B