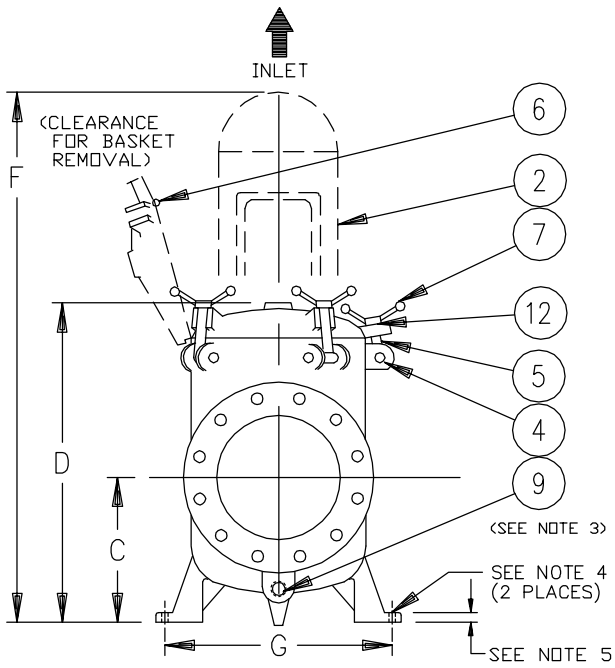
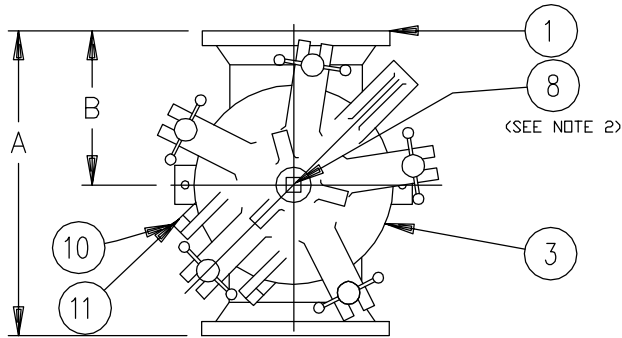


REVISIONS				
REV	DESCRIPTION	BY	ECO	DATE
H	UPDATED TITLE BLOCK	R. DHONDE	0106104	12/25/2014



NO.	PART NAME	MATERIAL
1	BODY	CAST IRON ASTM A126 CL C
2	BASKET	
	PERF. DIA.	
	MESH	
3	COVER	CAST IRON ASTM A126 CL C
4	SWING NUT	CARBON STEEL
5	STUD	STEEL
6	O-RING	BUNA-N
7	HANDLE	CAST IRON
8	VENT PLUG	CAST IRON
9	DRAIN PLUG	CAST IRON
10	CLEVIS PIN	CARBON STEEL
11	COTTER PIN	STEEL
12	WASHER	STEEL

- NOTES:
1. INLET/OUTLET 125 LB. FLANGED CONNECTIONS PER ASME B16.1.
 2. ITEM 8, VENT - 1/4" NPT (8mm).
 3. ITEM 9, DRAIN - 1-1/2" NPT (40mm).
 4. MOUNTING HOLE ϕ IS 1" (25mm) NOMINAL.
 5. MOUNTING PAD THICKNESS 1" (25mm).
 6. MAX. WORKING PRESSURE: @ 100° F (37.8° C)
FOR SIZES 10" & 12" - 200 PSI (13.8 BAR)
FOR SIZES 14" TO 18" - 150 PSI (10.3 BAR)

PIPE SIZE (NOMINAL)	DIMENSIONS						WEIGHT (DRY)		PART NO.					
	A		B		C		D			F		G		
	IN.	MM.	IN.	MM.	IN.	MM.	IN.	MM.	IN.	MM.	IN.	MM.	LBS.	KGS.
10" (250mm)	23.00	584	11.00	279	12.19	310	29.00	737	47.00	1194	19.00	483	420	191
12" (300mm)	27.00	686	13.00	330	16.75	425	38.00	965	67.00	1702	23.00	584	780	354
14" (350mm)	31.00	787	15.50	394	18.75	476	45.00	1143	77.00	1956	27.00	686	850	386
16" (400mm)	31.00	787	15.50	394	18.75	476	45.00	1143	77.00	1956	27.00	686	975	443
18" (450mm)	31.00	787	15.50	394	18.75	476	45.00	1143	77.00	1956	27.00	686	1000	454

DRAWN BY VAA		SCALE AS DRAWN		RESTRICTION RESTRICTED		TITLE MODEL 73 SIMPLEX STRAINER, 125# FLAT FACE FLANGE, SIZES 10" THRU 18" CAST IRON					
								SHEET 1 OF 1			
CUSTOMER INFO		PROJECTION THIRD ANGLE		DATE 12/06/91		SIZE A		DWG FILENAME SD073034		REV H	
NAME		P.O. NO.		TAG NO.		S.O. NO.		PART NO.		SEE TABLE	

EATON CORPORATION - CONFIDENTIAL AND PROPRIETARY NOTICE TO PERSONS RECEIVING THIS DRAWING AND/OR TECHNICAL INFORMATION
 THIS DOCUMENT, INCLUDING THE DRAWING AND INFORMATION CONTAINED THEREON IS CONFIDENTIAL AND IS THE EXCLUSIVE PROPERTY OF EATON AT ANY TIME. BY TAKING
 THE POSSESSION OF THIS DOCUMENT THE RECIPIENT ACKNOWLEDGES AND AGREES THAT THIS DOCUMENT CANNOT BE USED IN ANY MANNER ADVERSE TO THE INTEREST OF EATON AND
 THAT NO PORTION OF THIS DRAWING MAY BE COPIED OR OTHERWISE REPRODUCED WITHOUT THE PRIOR WRITTEN CONSENT OF EATON, IN THE CASE OF CONFLICTING CONTRACTUAL
 PROVISIONS, THIS NOTICE SHALL GOVERN THE STATUS OF THIS DOCUMENT.
 2018 EATON CORPORATION - ALL RIGHTS RESERVED.