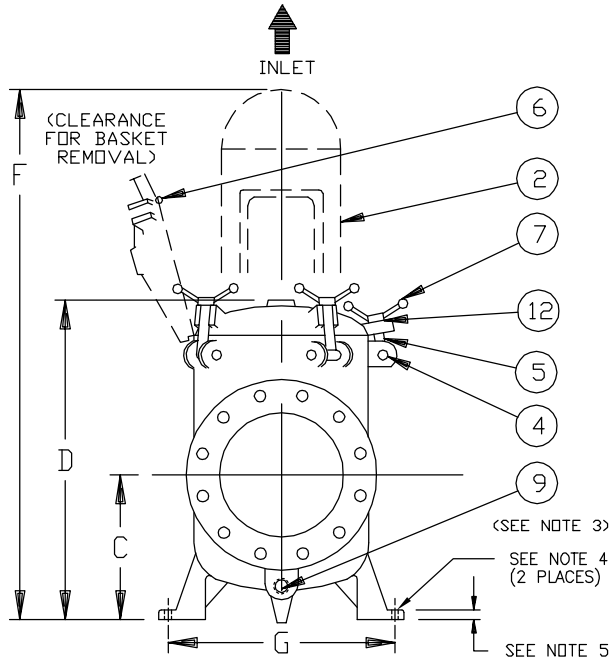
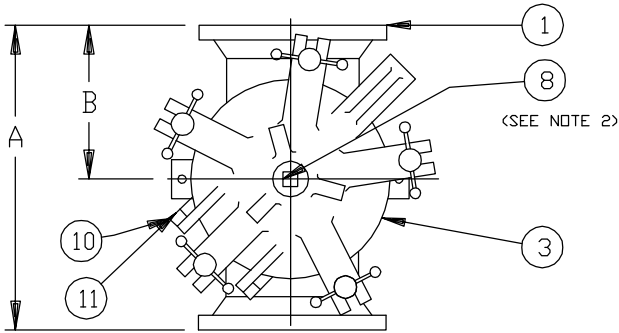


| REVISIONS | | | | |
|-----------|---------------------|-----------|---------|------------|
| REV | DESCRIPTION | BY | ECO | DATE |
| E | UPDATED TITLE BLOCK | R. DHONDE | 0106104 | 12/25/2014 |



| NO. | PART NAME | MATERIAL |
|-----|------------|--------------|
| 1 | BODY | BRONZE |
| 2 | BASKET | |
| | PERF. DIA. | |
| | MESH | |
| 3 | COVER | BRONZE |
| 4 | SWING NUT | CARBON STEEL |
| 5 | STUD | STEEL |
| 6 | O-RING | BUNA-N |
| 7 | HANDLE | CAST IRON |
| 8 | VENT PLUG | BRONZE |
| 9 | DRAIN PLUG | BRONZE |
| 10 | CLEVIS PIN | CARBON STEEL |
| 11 | COTTER PIN | STEEL |
| 12 | WASHER | STEEL |

NOTES:

- INLET/OUTLET 150 LB. FLANGED CONNECTIONS: FOR SIZES 10" & 12", PER ASME B16.24. FOR SIZES 14" & 16", DRILLING PER ASME B16.5.
- ITEM 8, VENT - 1/4" NPT (8mm).
- ITEM 9, DRAIN - 1-1/2" NPT (40mm).
- MOUNTING HOLE Ø IS 1" (25mm) NOMINAL.
- MOUNTING PAD THICKNESS 1" (25mm).
- MAX. WORKING PRESSURE: 200 PSI @ 100° F (13.8 BAR @ 37.8° C)

| PIPE SIZE (NOMINAL) | DIMENSIONS | | | | | | WEIGHT (DRY) | | PART NO. | | | | | | |
|------------------------|------------|-----|-------|-----|-------|-----|-----------------|------|----------|------|-------|-----|------|------|---------------|
| | A | | B | | C | | D | | | F | | G | | LBS. | KGS. |
| | IN. | MM. | IN. | MM. | IN. | MM. | IN. | MM. | IN. | MM. | IN. | MM. | | | |
| 10" (250mm) | 23.00 | 584 | 11.00 | 279 | 12.19 | 310 | 29.00 | 737 | 47.00 | 1194 | 19.00 | 483 | 500 | 227 | ST073100BF10C |
| 12" (300mm) | 27.00 | 686 | 13.00 | 330 | 16.75 | 425 | 38.00 | 965 | 67.00 | 1702 | 23.00 | 584 | 825 | 374 | ST073120BF10C |
| 14" (350mm) | 31.25 | 794 | 15.63 | 397 | 18.75 | 476 | 45.00 | 1143 | 77.00 | 1956 | 27.00 | 686 | 1150 | 522 | ST073140BF10C |
| 16" (400mm) | 31.25 | 794 | 15.63 | 397 | 18.75 | 476 | 45.00 | 1143 | 77.00 | 1956 | 27.00 | 686 | 1400 | 635 | ST073160BF10C |

| | | | | | | | | | |
|----------------|--|--|--|---|--|--|--------------------------|--|----------|
| DRAWN BY FM | | SCALE AS DRAWN | | HYDRAULICS GROUP FILTRATION DIVISION GALESBURG, MICHIGAN, USA • TINTON FALLS, NEW JERSEY, USA | | | | | |
| | | RESTRICTION RESTRICTED | | | | TITLE MODEL 73 SIMPLEX STRAINER, 150# FLAT FACE FLANGE, SIZES 10" THRU 16" BRONZE | | | |
| CUSTOMER INFO | | SHEET 1 OF 1 | | DATE 01/25/95 | | SIZE A | DWG FILENAME SD073031 | | REV E |
| NAME | | PROJECTION THIRD ANGLE | | | | | | | |
| P.O. NO. | | <small>EATON CORPORATION - CONFIDENTIAL AND PROPRIETARY NOTICE TO PERSONS RECEIVING THIS DRAWING AND/OR TECHNICAL INFORMATION. THIS DOCUMENT, INCLUDING THE DRAWING AND INFORMATION CONTAINED THEREON IS CONFIDENTIAL AND IS THE EXCLUSIVE PROPERTY OF EATON AT ANY TIME. BY TAKING THE POSSESSION OF THIS DOCUMENT THE RECIPIENT ACKNOWLEDGES AND AGREES THAT THIS DOCUMENT CANNOT BE USED IN ANY MANNER ADVERSE TO THE INTEREST OF EATON AND THAT NO PORTION OF THIS DRAWING MAY BE COPIED OR OTHERWISE REPRODUCED WITHOUT THE PRIOR WRITTEN CONSENT OF EATON, IN THE CASE OF CONFLICTING CONTRACTUAL PROVISIONS, THIS NOTICE SHALL GOVERN THE STATUS OF THIS DOCUMENT.</small> 2018 EATON CORPORATION - ALL RIGHTS RESERVED. | | | | | | | |
| TAG NO. | | PART NO. | | SEE TABLE | | | | | |