

Model 72SJ

- Carbon steel or stainless steel
- Sizes 1" to 8"
- Flanged

Features

- NPT steam connections
- Up to 100 psi (6.9 bar) steam pressure
- Quick open cover—no tools required
- Large capacity basket
- Threaded drain plug
- Machined basket seat
- Viton® seals
- Perforated or mesh 316 stainless steel basket

Options

- Basket perforations from 1/32" to 1/2"
- Basket mesh from 20 to 400
- MONEL® baskets
- Vent valves
- Drain valves
- Gauge/vent taps - 1/4" NPT
- Pressure differential gauge and switches

Viton® is a registered trademark of E. I. du Pont de Nemours and company. MONEL® is a registered trademark of Special Metals Corporation group of Companies.



The Model 72SJ is for applications in which materials must be kept hot to remain fluid. Examples are chocolate, asphalt, resins and polymers. By circulating steam or a heat transfer fluid through the strainer jacket, the strainer body temperature remains constant.

The basic strainer used in the Model 72SJ is Eaton's popular Model 72 simplex basket strainer that has proven itself an industry standard. All of the features of the Model 72 have been retained, including large basket capacity with a free straining area and a perforated

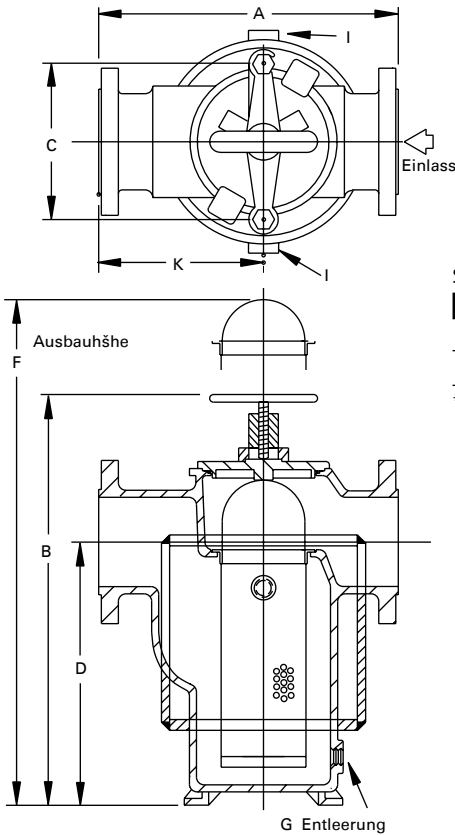
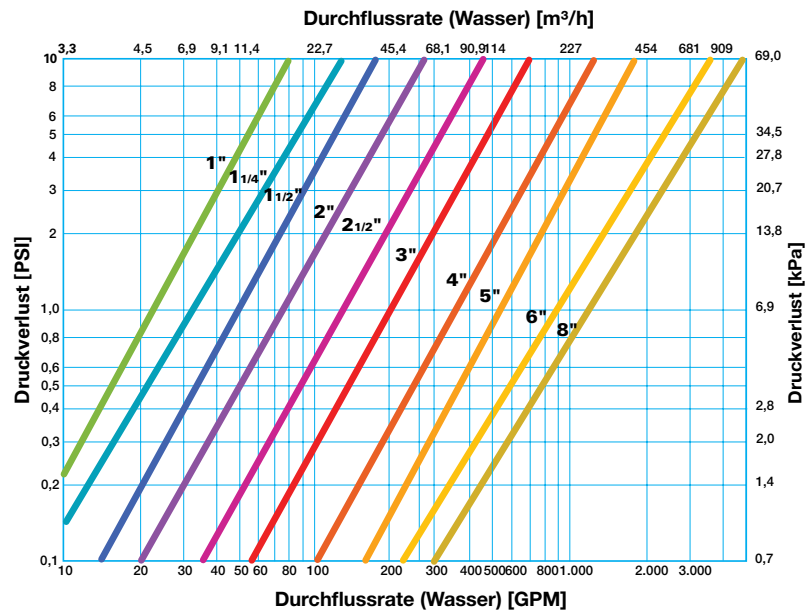
basket approximately six times the cross sectional pipe area. No tools are needed to open the cover. The quick opening, swinging yoke can be disassembled and the basket removed in seconds. The standard cover seal is Viton and can be used in most applications up to a temperature of 400 °F (204 °C).

Equipped with either a carbon steel or stainless steel jacket welded to the cast body, the steam jacket will handle steam pressures up to 100 psi (6.9 bar).



Powering Business Worldwide

Model 72SJ Steam Jacketed Basket Strainer



Selection chart

Size	Material	End connections	Seals	Pressure rating
1" to 8"	Carbon steel	Flanged 150#	Viton	200 psi (13.8 bar)
1" to 8"	Stainless steel	Flanged 150#	Viton	200 psi (13.8 bar)

* @ 100 °F (38 °C)

Cv factors*

Size	Value	Size	Value
1"	22.5	3"	180
1-1/4"	31.5	4"	350
1-1/2"	46.0	6"	900
2"	73.0	8"	1400
2-1/2"	125		

* For water with clean, perforated basket

Dimensions (in/mm) Model 72SJ straight flow

Size	A	B	C	D	F	G	I	K	Net Wt (lb / kg)	
									Carbon steel	Stainless steel
1	7.63 / 194	8.38 / 213	4.00 / 102	5.00 / 127	12 / 305	1/2	1/2	4.31 / 110	16 / 7	-
1-1/2	10.25 / 260	11.00 / 279	4.88 / 124	7.00 / 178	16 / 406	3/4	1/2	5.75 / 146	25 / 12	-
2	10.50 / 268	13.75 / 349	6.75 / 172	7.63 / 194	20 / 508	3/8	1/2	5.75 / 146	48 / 22	45 / 20
2-1/2	11.63 / 295	15.63 / 397	8.00 / 203	8.75 / 222	23 / 584	3/8	1/2	6.38 / 162	81 / 37	75 / 34
3	13.13 / 334	18.75 / 476	8.00 / 203	12.00 / 305	27 / 686	1/2	1/2	7.25 / 184	112 / 51	105 / 48
4	17.25 / 438	19.88 / 505	10.75 / 273	10.75 / 273	29 / 737	1/2	3/4	9.63 / 245	165 / 75	155 / 70
6	19.63 / 499	28.50 / 724	10.75 / 273	18.38 / 467	46 / 1168	1/2	3/4	10.81 / 275	315 / 143	280 / 127
8	27.00 / 686	40.50 / 1029	-	27.00 / 686	60 / 1524	1/2	3/4	15.75 / 400	653 / 297	653 / 297

Dimensions and weights are for reference only. Contact Eaton for certified drawings.

Eaton
North America – HQ
 44 Apple Street,
 Tinton Falls, NJ 07724
 Toll Free: 800 656-3344
 (North America only)
 Voice: +1 732 212-4700
 Fax: 952 906-3706

North America
 44 Apple Street
 Tinton Falls, NJ 07724
 Toll Free: 800 656-3344
 (North America only)
 Tel: +1 732 212-4700

Europe/Africa/Middle East
 Auf der Heide 2
 53947 Nettersheim, Germany
 Tel: +49 2486 809-0

Internormen Product Line
 Friedensstraße 41
 68804 Altlufsheim, Germany
 Tel: +49 6205 2094-0

Begerow Product Line
 An den Nahewiesen 24
 55450 Langenlonsheim, Germany
 Tel: +49 6704 204-0

China
 No. 3, Lane 280,
 Linhong Road
 Changning District, 200335
 Shanghai, P.R. China
 Tel: +86 21 5200-0099

Singapore
 4 Loyang Lane #04-01/02
 Singapore 508914
 Tel: +65 6825-1668

Brazil
 Av. Julia Gaioli, 474 – Bonsucesso
 07251-500 – Guarulhos, Brazil
 Tel: +55 11 2465-8822

For more information, please
 email us at filtration@eaton.com
 or visit www.eaton.com/filtration

© 2014 Eaton. All rights reserved. All trademarks and registered trademarks are the property of their respective owners. All information and recommendations appearing in this brochure concerning the use of products described herein are based on tests believed to be reliable. However, it is the user's responsibility to determine the suitability for his own use of such products. Since the actual use by others is beyond our control, no guarantee, expressed or implied, is made by Eaton as to the effects of such use or the results to be obtained. Eaton assumes no liability arising out of the use by others of such products. Nor is the information herein to be construed as absolutely complete, since additional information may be necessary or desirable when particular or exceptional conditions or circumstances exist or because of applicable laws or government regulations.

US
 EF-SSEA-7
 6-2014