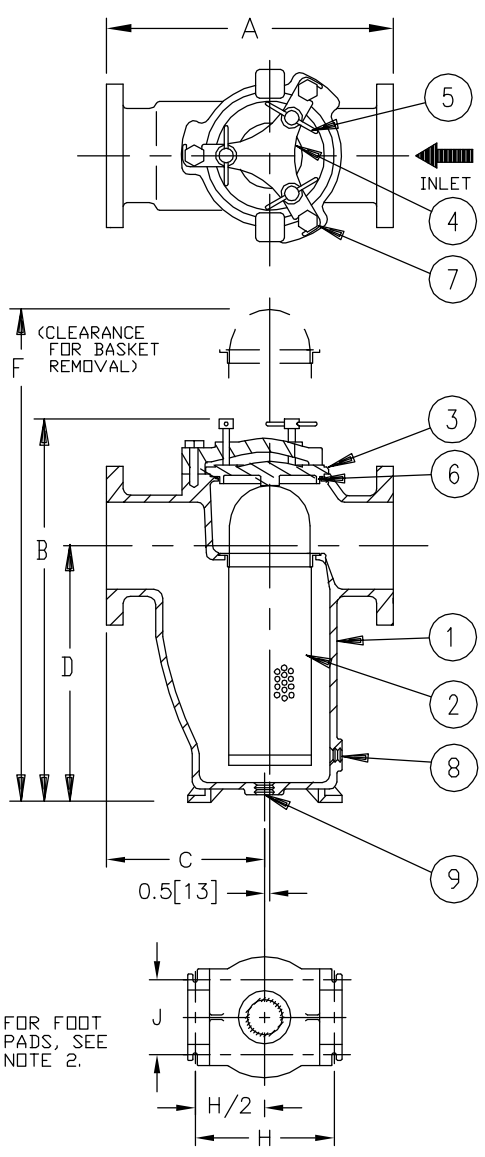


REVISIONS				
REV	DESCRIPTION	BY	ECO	DATE
B	UPDATED TITLE BLOCK	R. DHONDE	0106104	12/25/2014



NO.	PART NAME	MATERIAL
1	BODY	DUCTILE IRON ASTM A395
2	SCREEN	
	PERF. DIA.	
	MESH	
3	COVER	DUCTILE IRON ASTM A395
4	YOKE	DUCTILE IRON
5	YOKE SCREW	STEEL
6	O-RING	BUNA-N
7	STUD	STEEL
8	DRAIN PLUG	CARBON STEEL
9	BODY PLUG	CAST IRON

- NOTES:
1. INLET/OUTLET 150 LB. FLAT FACED FLANGED CONNECTIONS PER ASME B16.42.
 2. 5/8" DIAMETER SLOTTED FOOT PADS FOR 8" SIZE.
 3. DIMENSION "G" (NPT) IS FOR DRAIN PLUG, ITEM 8.
 4. ITEM 9, BODY PLUG IS NOT TO BE USED AS DRAIN.
 5. MAX. WORKING PRESSURE: 200 PSI @ 100° F (13.8 BAR @ 37.8° C)

PIPE SIZE (NOMINAL)	DIMENSIONS									WEIGHT (DRY) LBS. KGS.	PART NO.						
	A		B		C		D		F			G (NOM.)	H	J			
	IN.	MM.	IN.	MM.	IN.	MM.	IN.	MM.	IN.	MM.	IN.	MM.					
8" (200mm)	27.00	/ 686	40.00	/ 1016	15.50	/ 394	27.00	/ 686	60	/ 1524	1-1/2 (40)	15.75	/ 400	8.63	/ 219	500/ 227	ST0720800F6C

DRAWN BY J. JOHNSON		SCALE AS DRAWN		RESTRICTION RESTRICTED		TITLE MODEL 72 SIMPLEX STRAINER, 150# FLAT FACE FLANGE, SIZE 8" DUCTILE IRON		DATE 10/11/13		SIZE A		DWG FILENAME SD072037		REV B	
														CUSTOMER INFO	
NAME		P.O. NO.		TAG NO.		S.O. NO.		PART NO.		SEE TABLE					