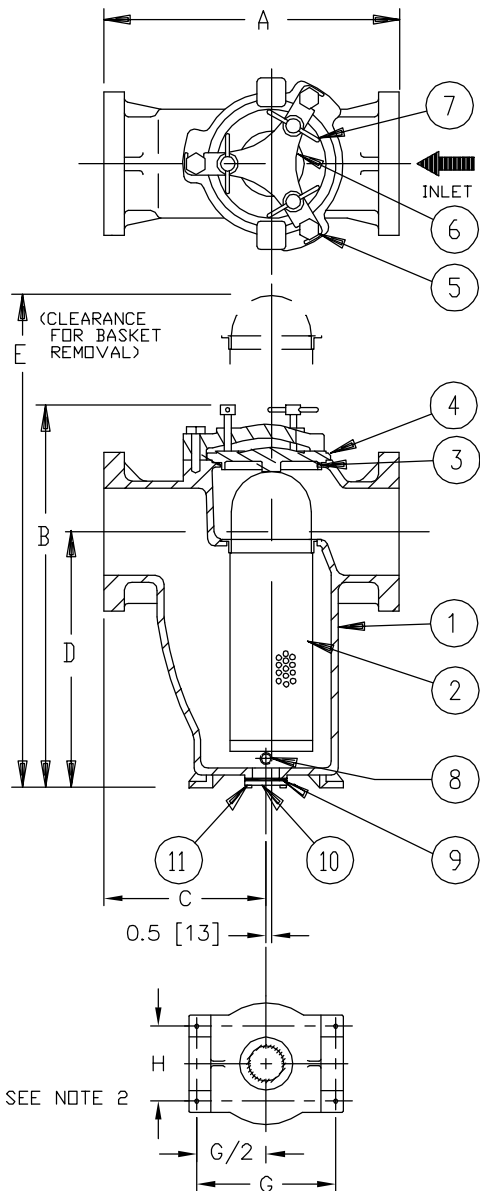


REVISIONS				
REV	DESCRIPTION	BY	ECO	DATE
E	UPDATED TITLE BLOCK	R. DHONDE	0106104	12/25/2014



NO.	PART NAME	MATERIAL
1	BODY	BRONZE
2	SCREEN	
	PERF. DIA.	
	MESH	
3	O-RING	BUNA-N
4	COVER	BRONZE
5	STUD	STEEL
6	YOKE	DUCTILE IRON
7	YOKE SCREW	STEEL
8	DRAIN PLUG	BRASS
9	GASKET	NON-ASBESTOS
10	COVER PLATE	BRONZE
11	HEX. BOLT	STEEL

NOTES:

1. INLET/OUTLET 150 LB. FLANGED CONNECTIONS PER ASME B16.24.
2. 1/2" [13] DIAMETER HOLE ON FOOT PADS.
3. DIMENSION "F" (NPT) IS FOR DRAIN PLUG, ITEM 8.
4. ITEM 10, COVER PLATE IS NOT TO BE USED AS DRAIN.
5. MAX. WORKING PRESSURE: 200 PSI @ 100° F (13.8 BAR @ 37.8° C)

PIPE SIZE (NOMINAL)	DIMENSIONS									WEIGHT (DRY) LBS. KGS.	PART NO.
	A IN. MM.	B IN. MM.	C IN. MM.	D IN. MM.	E IN. MM.	F (NOM.) IN. MM.	G IN. MM.	H IN. MM.			
8" (200mm)	27.00 / 686	40.00 / 1016	15.50 / 394	27.00 / 686	61 / 1549	1/2 (15)	15.75 / 400	8.50 / 216	600 / 272	ST0720800F1C	

DRAWN BY DM		HYDRAULICS GROUP FILTRATION DIVISION GALESBURG, MICHIGAN, USA • TINTON FALLS, NEW JERSEY, USA			
SCALE AS DRAWN					
RESTRICTION RESTRICTED		TITLE MODEL 72 SIMPLEX STRAINER, 150# FLAT FACE FLANGE, SIZE 8" BRONZE			
SHEET 1 OF 1		DATE 08/11/97	SIZE A	DWG FILENAME SD072033	REV E
PROJECTION THIRD ANGLE		<small>EATON CORPORATION - CONFIDENTIAL AND PROPRIETARY NOTICE TO PERSONS RECEIVING THIS DRAWING AND/OR TECHNICAL INFORMATION. THIS DOCUMENT, INCLUDING THE DRAWING AND INFORMATION CONTAINED THEREON IS CONFIDENTIAL AND IS THE EXCLUSIVE PROPERTY OF EATON AT ANY TIME. BY TAKING THE POSSESSION OF THIS DOCUMENT THE RECIPIENT ACKNOWLEDGES AND AGREES THAT THIS DOCUMENT CANNOT BE USED IN ANY MANNER ADVERSE TO THE INTEREST OF EATON AND THAT NO PORTION OF THIS DRAWING MAY BE COPIED OR OTHERWISE REPRODUCED WITHOUT THE PRIOR WRITTEN CONSENT OF EATON, IN THE CASE OF CONFLICTING CONTRACTUAL PROVISIONS, THIS NOTICE SHALL GOVERN THE STATUS OF THIS DOCUMENT. 2018 EATON CORPORATION - ALL RIGHTS RESERVED.</small>			
CUSTOMER INFO		PART NO. SEE TABLE			
NAME					
P.O. NO.					
TAG NO.					
S.O. NO.					