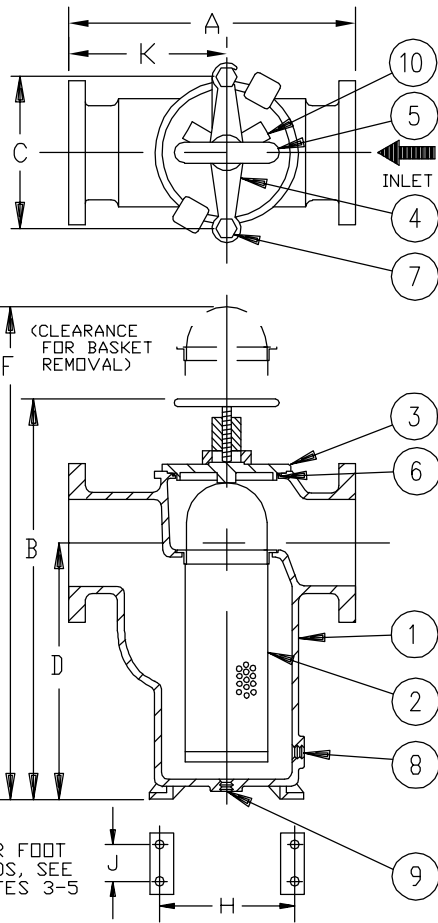


REVISIONS				
REV	DESCRIPTION	BY	ECO	DATE
G	UPDATED TITLE BLOCK	R. DHONDE	0106104	12/25/2014


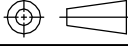


NO.	PART NAME	MATERIAL
1	BODY	DUCTILE IRON ASTM A395
2	SCREEN	
	PERF. DIA.	
	MESH	
3	COVER	DUCTILE IRON ASTM A395
4	YOKE	DUCTILE IRON
5	YOKE SCREW	CARBON STEEL
6	O-RING	BUNA-N
7	STUD	STEEL
8	DRAIN PLUG	CARBON STEEL
9	BODY PLUG	CAST IRON
10	COVER CLAMP	DUCTILE IRON

NOTES:

1. INLET/OUTLET 150 LB. FLAT FACED FLANGED CONNECTIONS PER ASME B16.42.
2. COVER CLAMP (ITEM 10) FOR 4", 6" SIZES.
3. 7/16"Ø SLOTTED FOOT PADS FOR SIZE 2".
4. 1/2"Ø SLOTTED FOOT PADS FOR SIZE 3".
5. 9/16"Ø HOLED FOOT PADS FOR SIZES 4", 6".
6. DIMENSION "G" (NPT) IS FOR DRAIN PLUG, ITEM 8.
7. ITEM 9, BODY PLUG IS NOT TO BE USED AS DRAIN.
8. MAX. WORKING PRESSURE: 200 PSI @ 100° F (13.8 BAR @ 37.8° C)

PIPE SIZE (NOMINAL)	DIMENSIONS										WEIGHT (DRY) LBS. KGS.	PART NO.										
	A		B		C		D		F				G (NOM.)		H		J		K			
	IN.	MM.	IN.	MM.	IN.	MM.	IN.	MM.	IN.	MM.	IN.	MM.	IN.	MM.	IN.	MM.	IN.	MM.	IN.	MM.		
2" (50mm)	10.50	/268	13.75	/349	6.75	/172	7.63	/194	20	/508	1/2	(15)	5.50	/140	2.50	/64	6.13	/156	37	/17	ST0720200F6C	
3" (80mm)	13.13	/334	18.00	/457	8.00	/203	11.00	/279	27	/686	3/8	(10)	7.00	/178	3.13	/80	7.25	/184	76	/34	ST0720300F6C	
4" (100mm)	16.75	/425	19.88	/505	10.69	/272	10.69	/272	29	/737	1/2	(15)	10.00	/254	3.88	/99	9.38	/238	125	/57	ST0720400F6C	
5" (125mm)	18.13	/460	25.13	/628	10.69	/272	15.19	/386	38	/965	1/2	(15)	10.00	/254	4.63	/118	10.13	/257	170	/77	ST0720500F6C	
6" (150mm)	19.63	/499	28.50	/724	10.69	/272	18.31	/465	46	/1168	1/2	(15)	10.00	/254	5.00	/127	10.81	/275	200	/91	ST0720600F6C	

DRAWN BY VAA		 HYDRAULICS GROUP FILTRATION DIVISION GALESBURG, MICHIGAN, USA • TINTON FALLS, NEW JERSEY, USA			
SCALE AS DRAWN					
RESTRICTION RESTRICTED		TITLE MODEL 72 SIMPLEX STRAINER, 150# FLAT FACE FLANGE, SIZES 2" THRU 6" DUCTILE IRON			
SHEET 1 OF 1		DATE 05/26/92	SIZE A	DWG FILENAME SD072026	REV G
PROJECTION THIRD ANGLE					
EATON CORPORATION - CONFIDENTIAL AND PROPRIETARY NOTICE TO PERSONS RECEIVING THIS DRAWING AND/OR TECHNICAL INFORMATION THIS DOCUMENT, INCLUDING THE DRAWING AND INFORMATION CONTAINED THEREON IS CONFIDENTIAL AND IS THE EXCLUSIVE PROPERTY OF EATON AT ANY TIME. BY TAKING THE POSSESSION OF THIS DOCUMENT THE RECIPIENT ACKNOWLEDGES AND AGREES THAT THIS DOCUMENT CANNOT BE USED IN ANY MANNER ADVERSE TO THE INTEREST OF EATON AND THAT NO PORTION OF THIS DRAWING MAY BE COPIED OR OTHERWISE REPRODUCED WITHOUT THE PRIOR WRITTEN CONSENT OF EATON, IN THE CASE OF CONFLICTING CONTRACTUAL PROVISIONS, THIS NOTICE SHALL GOVERN THE STATUS OF THIS DOCUMENT. 2018 EATON CORPORATION - ALL RIGHTS RESERVED.					
CUSTOMER INFO					
NAME					
P.O. NO.					
TAG NO.					
S.O. NO.					
PART NO.	SEE TABLE				