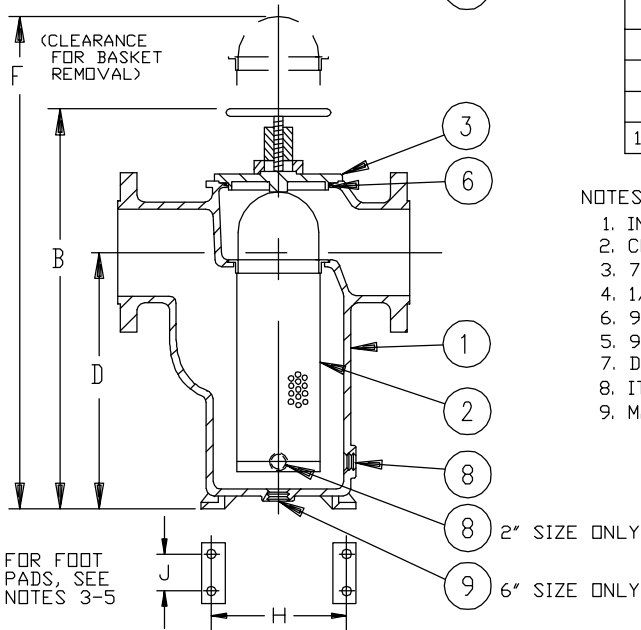
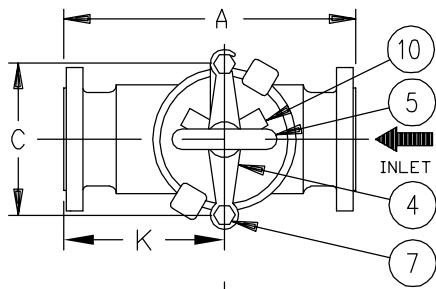


REVISIONS				
REV	DESCRIPTION	BY	ECO	DATE
B	UPDATED TITLE BLOCK	R. DHONDE	0106104	12/25/2014



NO.	PART NAME	MATERIAL
1	BODY	STAINLESS STEEL A351 GR.CF8M
2	SCREEN	
	PERF. DIA.	
	MESH	
3	COVER	STAINLESS STEEL A351 GR.CF8M
4	YOKE	DUCTILE IRON
5	YOKE SCREW	STEEL
6	O-RING	VITON
7	STUD	STEEL
8	DRAIN PLUG	STAINLESS STEEL
9	BODY PLUG	STAINLESS STEEL
10	COVER CLAMP	DUCTILE IRON

NOTES:

1. INLET/OUTLET DIN PN16 RAISED FACED
2. COVER CLAMP (ITEM 10) FOR 4", 6" SIZES.
3. 7/16" SLOTTED FOOT PADS FOR SIZE 2".
4. 1/2" SLOTTED FOOT PADS FOR SIZE 3".
6. 9/16" SLOTTED FOOT PADS FOR SIZE 4".
5. 9/16" HOLED FOOT PADS FOR SIZE 6".
7. DIMENSION "G" (NPT) IS FOR DRAIN PLUG, ITEM 8.
8. ITEM 9, BODY PLUG IS NOT TO BE USED AS DRAIN.
9. MAX. WORKING PRESSURE: 200 PSI @ 100° F (13.8 BAR @ 37.8° C)

PIPE SIZE (NOMINAL)	DIMENSIONS										WEIGHT (DRY) LBS. KGS.	PART NO.
	A IN. MM.	B IN. MM.	C IN. MM.	D IN. MM.	F IN. MM.	G (NOM.) IN. MM.	H IN. MM.	J IN. MM.	K IN. MM.			
2" (50mm)	10.44/265	13.75/349	6.75/172	7.63 /194	20/508	1/2 (15)	5.50/140	2.75/70	5.75/146	36 / 16	ST072020BD20A	
2-1/2"(65mm)	11.63/295	15.63/397	8.00/203	8.88/226	23/584	3/8 (10)	6.50/165	2.88/73	6.38/162	63 / 27	ST072025BD20A	
3" (80mm)	13.13/334	18.75/476	7.94/202	12.00/305	27/686	1/2 (15)	7.00/178	3.13/80	7.81/198	86 / 39	ST072030BD20A	
4" (100mm)	17.25/438	19.88/505	10.69/272	10.69/272	29/737	1/2 (15)	10.00/254	3.88/99	9.63/245	130 / 59	ST072040BD20A	
6" (150mm)	19.63/499	28.50/724	10.69/272	18.31/465	46/1168	1/2 (15)	10.00/254	5.00/127	10.81/275	235 / 107	ST072060BD20A	

DRAWN BY JJ		HYDRAULICS GROUP FILTRATION DIVISION GALESBURG, MICHIGAN, USA • TINTON FALLS, NEW JERSEY, USA	
SCALE AS DRAWN			
CUSTOMER INFO		RESTRICTION RESTRICTED	TITLE MODEL 72 SIMPLEX STRAINER, DIN PN16 RAISED FACE FLANGE, SIZES 2" THRU 6" STAINLESS STEEL
NAME		SHEET 1 OF 1	
P.O. NO.		PROJECTION THIRD ANGLE	DATE 05/31/13
TAG NO.			SIZE A
S.O. NO.			DWG FILENAME SD072025-DIN
PART NO.	SEE TABLE		REV B

EATON CORPORATION - CONFIDENTIAL AND PROPRIETARY NOTICE TO PERSONS RECEIVING THIS DRAWING AND/OR TECHNICAL INFORMATION
 THIS DOCUMENT, INCLUDING THE DRAWING AND INFORMATION CONTAINED THEREON IS CONFIDENTIAL AND IS THE EXCLUSIVE PROPERTY OF EATON AT ANY TIME. BY TAKING THE
 POSSESSION OF THIS DOCUMENT THE RECIPIENT ACKNOWLEDGES AND AGREES THAT THIS DOCUMENT CANNOT BE USED IN ANY MANNER ADVERSE TO THE INTEREST OF EATON AND
 THAT NO PORTION OF THIS DRAWING MAY BE COPIED OR OTHERWISE REPRODUCED WITHOUT THE PRIOR WRITTEN CONSENT OF EATON, IN THE CASE OF CONFLICTING CONTRACTUAL
 PROVISIONS, THIS NOTICE SHALL GOVERN THE STATUS OF THIS DOCUMENT.
 2018 EATON CORPORATION - ALL RIGHTS RESERVED.