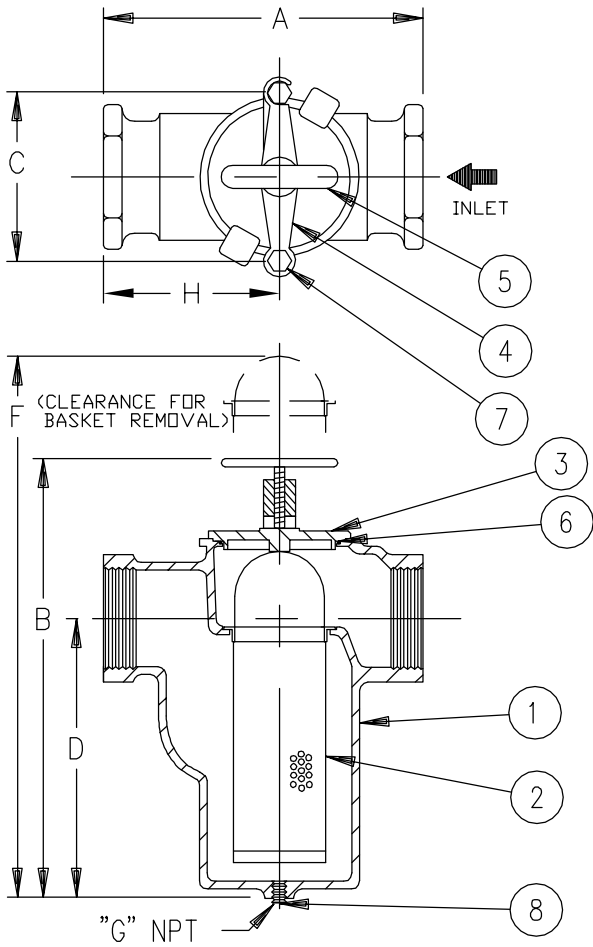


REVISIONS				
REV	DESCRIPTION	BY	ECO	DATE
G	UPDATED TITLE BLOCK	R. DHONDE	0106104	12/25/2014



NO.	PART NAME	MATERIAL
1	BODY	BRONZE
2	SCREEN	
	PERF. DIA.	
	MESH	
3	COVER	BRONZE
4	YOKE	DUCTILE IRON
5	YOKE SCREW	STEEL
6	O-RING	BUNA-N
7	STUD	STEEL
8	PIPE PLUG	BRASS

NOTES:

1. INLET/OUTLET "NPT" THREADED CONNECTIONS PER ASME B1.20.1.
2. MAX. WORKING PRESSURE: 200 PSI @ 100° F (13.8 BAR @ 37.8° C)
3. 1/2" STRAINER WITH REDUCER BUSHING.

PIPE SIZE (NOMINAL)	DIMENSIONS								WEIGHT (DRY)		PART NO.				
	A		B		C		D		F			(NOM.) G	H	LBS.	KGS.
	IN.	MM.	IN.	MM.	IN.	MM.	IN.	MM.	IN.	MM.	IN.	MM.			
*3/8" (10mm)	4.75	121	6.63	168	2.88	73	4.00	102	11	279	3/8 (10)	2.50 (64)	4	1.8	ST0720037T1C
1/2" (15mm)	4.00	102	6.63	168	2.88	73	4.00	102	11	279	3/8 (10)	2.18 (56)	4	1.8	ST0720050T1C
3/4" (20mm)	5.38	137	8.38	213	4.00	102	5.00	127	13	330	1/2 (15)	3.13 (80)	8	3.6	ST0720075T1C
1" (25mm)	5.38	137	8.38	213	4.00	102	5.00	127	13	330	1/2 (15)	3.13 (80)	8	3.6	ST0720100T1C
1-1/4" (32mm)	6.75	172	9.88	251	4.88	124	5.88	149	14	356	1/2 (15)	3.75 (95)	13	5.9	ST0720125T1C
1-1/2" (40mm)	7.38	187	11.00	279	4.88	124	7.00	178	16	406	3/4 (20)	4.13 (95)	16	7.3	ST0720150T1C
2" (50mm)	8.75	222	13.38	340	6.75	172	7.63	194	21	533	1-1/4 (32)	5.13 (130)	32	14.5	ST0720200T1C
2-1/2" (65mm)	10.50	267	14.88	378	8.00	203	8.88	226	26	660	1-1/2 (40)	6.19 (157)	49	22.3	ST0720250T1C
3" (80mm)	11.50	292	17.75	451	8.00	203	11.38	289	28	711	1-1/2 (40)	6.75 (171)	60	27.3	ST0720300T1C

* - SEE NOTE 3

DRAWN BY VAA	RESTRICTION RESTRICTED	TITLE MODEL 72 SIMPLEX STRAINER NPT THREADED CONNECTIONS SIZES 3/8" THRU 3" BRONZE
SCALE AS DRAWN		
CUSTOMER INFO		DATE 08/21/91
NAME	SHEET 1 OF 1	SIZE A
P.O. NO.	PROJECTION THIRD ANGLE	DWG FILENAME SD072011
TAG NO.		REV G
S.O. NO.		
PART NO.	SEE TABLE	



HYDRAULICS GROUP
FILTRATION DIVISION
GALESBURG, MICHIGAN, USA • TINTON FALLS, NEW JERSEY, USA

EATON CORPORATION - CONFIDENTIAL AND PROPRIETARY NOTICE TO PERSONS RECEIVING THIS DRAWING AND/OR TECHNICAL INFORMATION
THIS DOCUMENT, INCLUDING THE DRAWING AND INFORMATION CONTAINED THEREON IS CONFIDENTIAL AND IS THE EXCLUSIVE PROPERTY OF EATON AT ANY TIME. BY TAKING THE POSSESSION OF THIS DOCUMENT THE RECIPIENT ACKNOWLEDGES AND AGREES THAT THIS DOCUMENT CANNOT BE USED IN ANY MANNER ADVERSE TO THE INTEREST OF EATON AND THAT NO PORTION OF THIS DRAWING MAY BE COPIED OR OTHERWISE REPRODUCED WITHOUT THE PRIOR WRITTEN CONSENT OF EATON, IN THE CASE OF CONFLICTING CONTRACTUAL PROVISIONS, THIS NOTICE SHALL GOVERN THE STATUS OF THIS DOCUMENT.
2018 EATON CORPORATION - ALL RIGHTS RESERVED.