

Model 53BTX



- Sizes 3/4" to 4"
- Iron, bronze, carbon steel or stainless steel
- Threaded or flanged



Unique diverter cartridge assures minimal leaks, if any to the basket chamber during cleaning.

A double sealing system on the upper and lower stems guards against any possible leakage between fluid chambers and the environment. If service becomes necessary, just remove four bolts and the cartridge slides right out the top of the strainer body.

Features

- Dynamic sealing design for long life
- Easy-to-operate lever handle—no gear box required
- Unique seat and seal design requires no adjustments
- Teflon® seats for longer service life
- Foot pads for rock solid installation
- Double-stem O-rings for positive sealing
- Easy to access body vent valve
- Drain plugs in each basket cover
- Piston seal strainer basket cover
- Easy access for diverter cartridge removal
- 316 stainless steel ball design
- American Bureau of Shipping (ABS) Type Approved for ship designers, builders and owners

Teflon™ and Viton™ are registered trademarks of The Chemours Company FC, LLC. MONEL® is a registered trademark of Special Metals Corporation group of Companies. HASTELLOY® is a registered trademark of Haynes International Inc.



Continuous operation

The Eaton Model 53BTX duplex basket strainer can operate continuously, eliminating the need to shut down processes for cleaning of strainers. When the first basket is full, a unique flow diverter cartridge shifts flow to a second basket to permit removal and cleaning with no interruption to operations.

Draining this chamber is easy; the cover lifts and swings clear of the chamber opening with no special tools required.

The unique flow diverter cartridge assures minimal, if any fluid bypass into the out-of-service chamber. It features a dynamic sealing system that ensures exceptionally long seat life and positive sealing. Manual internal or external ball support adjustments are not necessary.

Size and material

The compact, low-profile Model 53BTX fits into spaces ordinary strainers may not, yet it still uses full-size strainer baskets with a low-pressure drop performance. Eaton offers basket openings from 3/4" down to 45 microns. Type 316 stainless steel is standard and MONEL® or HASTELLOY® C materials are optional.

Easy basket servicing

One drain plug is on each side of the housing. Additionally, an easy to access vent valve is in the cover. Standard foot mounting pads ensure a rock solid installation no matter where the strainer operates.

Available options include:

- Differential pressure gauges, with or without switches
- Magnetic separators installed in the strainer basket for removing fine ferrous particulate matter from the process media



Powering Business Worldwide

Model 53BTX Ball Type Duplex Basket Strainer

Selection table

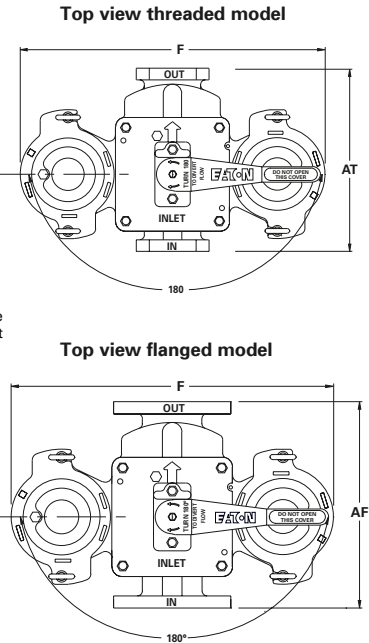
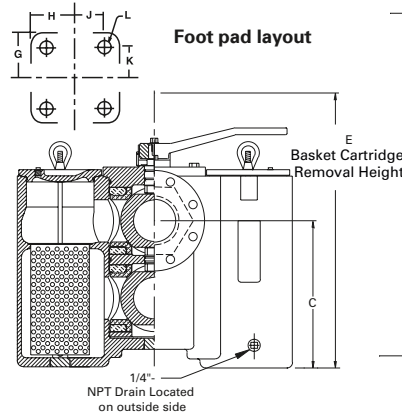
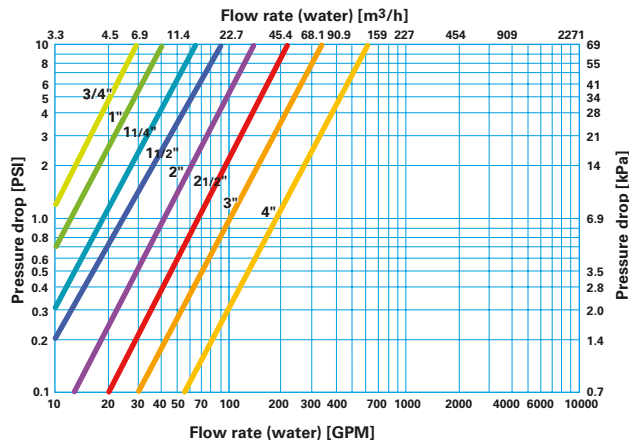
| Size | Body & cartridge material | End connection | Seat/Seal | Divert balls | Pressure rating @ 150 °F (65 °C) |
|--------------------------------------|---------------------------|----------------|--------------|-----------------|----------------------------------|
| 3/4", 1", 1-1/4", 1-1/2", 2", 2-1/2" | Iron | Threaded | TFE/Buna-N®* | Stainless steel | 200 psi (13.8 bar) |
| 3/4", 1", 1-1/4", 1-1/2", 2", 2-1/2" | Bronze | Threaded | TFE/Buna-N®* | Stainless steel | 200 psi (13.8 bar) |
| 3/4", 1", 1-1/4", 1-1/2", 2" | Carbon steel | Threaded | TFE/Buna-N®* | Stainless steel | 200 psi (13.8 bar) |
| 3/4", 1", 1-1/4", 1-1/2", 2" | Stainless steel | Threaded | TFE/Viton® | Stainless steel | 200 psi (13.8 bar) |
| 1", 1-1/2", 2", 2-1/2", 3", 4" | Iron | Flanged 125# | TFE/Buna-N®* | Stainless steel | 200 psi (13.8 bar) |
| 1", 1-1/2", 2", 2-1/2", 3", 4" | Bronze | Flanged 150# | TFE/Buna-N®* | Stainless steel | 200 psi (13.8 bar) |
| 1", 1-1/2", 2", 2-1/2", 3", 4" | Carbon steel | Flanged 150# | TFE/Buna-N®* | Stainless steel | 200 psi (13.8 bar) |
| 1", 1-1/2", 2", 2-1/2", 3", 4" | Stainless steel | Flanged 150# | TFE/Viton® | Stainless steel | 200 psi (13.8 bar) |

*Viton standard for SSTL, optional for iron, bronze and carbon steel.

Cv factors*

| Size | Value | Size | Value |
|--------|-------|--------|-------|
| 3/4" | 13 | 2" | 42 |
| 1" | 13 | 2-1/2" | 65 |
| 1-1/4" | 18 | 3" | 110 |
| 1-1/2" | 25 | 4" | 175 |

* For water with clean, perforated basket



Dimensions (in/mm)

| Pipe size | AF | AT | C | E | F | G | H | J | K | L | Weight – Iron flanged threaded | | Weight – Bronze threaded | | Weight – Carbon & SS flanged threaded | |
|-----------|-------------|-------------|-------------|-------------|-------------|------------|------------|-----------|------------|-----|--------------------------------|-----------|--------------------------|-----------|---------------------------------------|-----------|
| | | | | | | | | | | | (lb / kg) | (lb / kg) | (lb / kg) | (lb / kg) | (lb / kg) | (lb / kg) |
| 3/4 | — | 5.50 / 140 | 5.00 / 127 | 13.38 / 340 | 10.50 / 268 | 3.25 / 83 | 2.13 / 54 | 1.63 / 41 | 2.75 / 70 | 3/8 | — | 37 / 17 | — | 46 / 21 | — | 41 / 19 |
| 1 | 6.88 / 175 | 5.50 / 140 | 5.00 / 127 | 13.38 / 340 | 10.50 / 268 | 3.25 / 83 | 2.13 / 54 | 1.63 / 41 | 2.75 / 70 | 3/8 | 42 / 19 | 37 / 17 | 52 / 24 | 46 / 21 | 47 / 21 | 41 / 19 |
| 1-1/4 | 6.88 / 175 | 7.50 / 190 | 6.81 / 173 | 17.00 / 432 | 13.25 / 330 | 3.25 / 83 | 2.13 / 54 | 1.63 / 41 | 2.75 / 70 | 3/8 | — | 80 / 36 | — | 100 / 45 | — | 89 / 40 |
| 1-1/2 | 9.38 / 238 | 7.50 / 190 | 6.81 / 173 | 17.00 / 432 | 13.25 / 330 | 3.25 / 83 | 2.13 / 54 | 1.63 / 41 | 2.75 / 70 | 3/8 | 90 / 41 | 80 / 36 | 113 / 51 | 100 / 45 | 100 / 45 | 89 / 40 |
| 2 | 10.63 / 270 | 10.00 / 254 | 8.38 / 213 | 21.75 / 552 | 17.38 / 441 | 4.69 / 119 | 2.50 / 64 | 1.81 / 46 | 4.00 / 102 | 5/8 | 167 / 76 | 157 / 71 | 209 / 95 | 197 / 90 | 185 / 84 | 174 / 79 |
| 2-1/2 | 10.75 / 273 | 10.00 / 254 | 8.38 / 213 | 21.75 / 552 | 17.37 / 441 | 4.69 / 119 | 2.50 / 64 | 1.81 / 46 | 4.00 / 102 | 5/8 | 183 / 83 | 157 / 71 | 229 / 104 | 197 / 90 | 203 / 92 | — |
| 3 | 13.50 / 343 | — | 8.88 / 226 | 26.50 / 673 | 22.75 / 578 | 4.69 / 119 | 2.50 / 64 | 1.81 / 46 | 4.00 / 102 | 5/8 | 285 / 129 | — | 357 / 162 | — | 432 / 196 | — |
| 4 | 16.00 / 406 | — | 13.25 / 337 | 33.00 / 838 | 24.75 / 629 | 5.19 / 132 | 3.94 / 100 | 3.25 / 83 | 4.50 / 114 | 5/8 | 389 / 177 | — | 487 / 221 | — | 432 / 196 | — |

Dimensions and weights are for reference only. Contact Eaton for certified drawings. Pressure equalizing valve and piping standard on 4" Model 53BTX duplex strainers.

North America
44 Apple Street
Tinton Falls, NJ 07724
Toll Free: 800 656-3344
(North America only)
Tel: +1 732 212-4700

Greater China
No. 7, Lane 280,
Linhong Road
Changning District, 200335
Shanghai, P.R. China
Tel: +86 21 2899-3687

Europe/Africa/Middle East
Auf der Heide 2
53947 Nettersheim, Germany
Tel: +49 2486 809-0
Friedensstraße 41
68804 Altlußheim, Germany
Tel: +49 6205 2094-0

Asia-Pacific
100G Pasir Panjang Road
#07-08 Interlocal Centre
Singapore 118523
Tel: +65 6825-1620

For more information, please
email us at filtration@eaton.com
or visit www.eaton.com/filtration

US
E8-SSEA-1
05-2023

© 2023 Eaton. All rights reserved. All trademarks and registered trademarks are the property of their respective owners. All information and recommendations appearing in this brochure concerning the use of products described herein are based on tests believed to be reliable. However, it is the user's responsibility to determine the suitability for his own use of such products. Since the actual use by others is beyond our control, no guarantee, expressed or implied, is made by Eaton as to the effects of such use or the results to be obtained. Eaton assumes no liability arising out of the use by others of such products. Nor is the information herein to be construed as absolutely complete, since additional information may be necessary or desirable when particular or exceptional conditions or circumstances exist or because of applicable laws or government regulations.