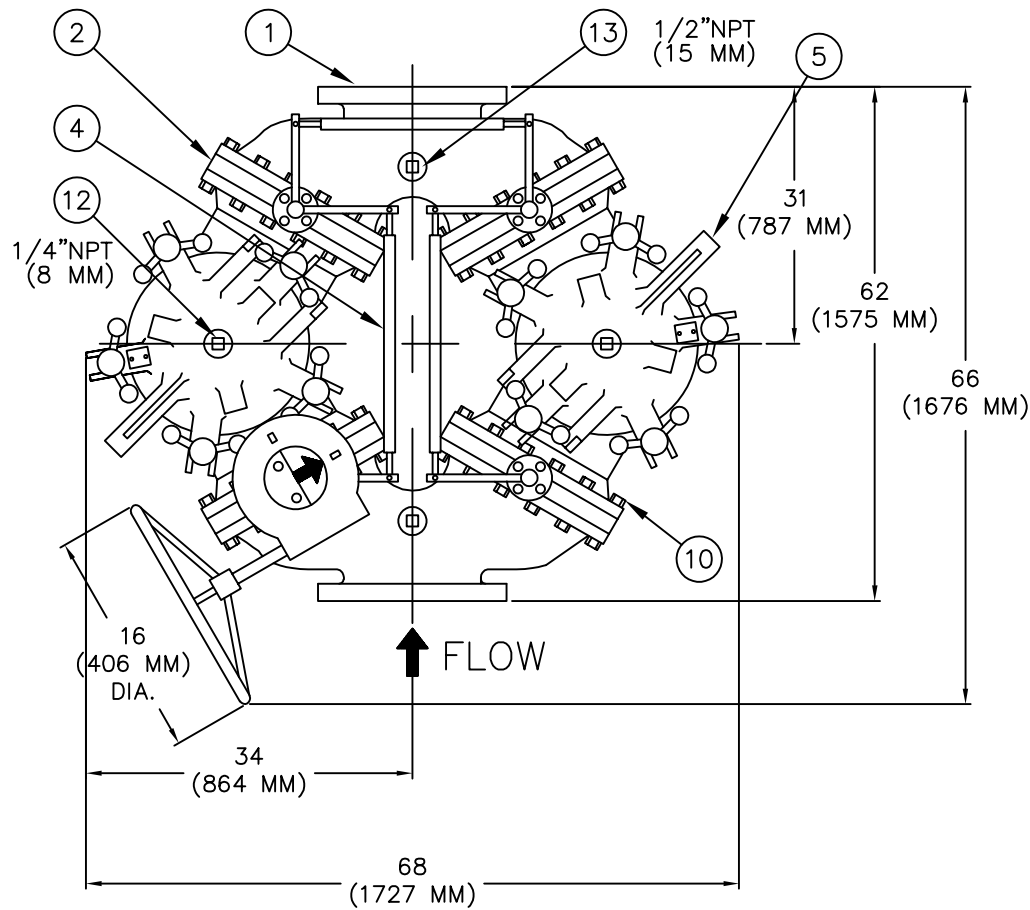


REVISIONS				
REV	DESCRIPTION	BY	ECO	DATE
C	NEW RELEASE	DM	0058909	7/14/2011
D	UPDATED TITLE BLOCK	S. PATIL	0112361	7/24/2015
E	CHANGED DIRECTION OF THE FLOW ARROW	N. INGOLE	0116455	10/30/2015

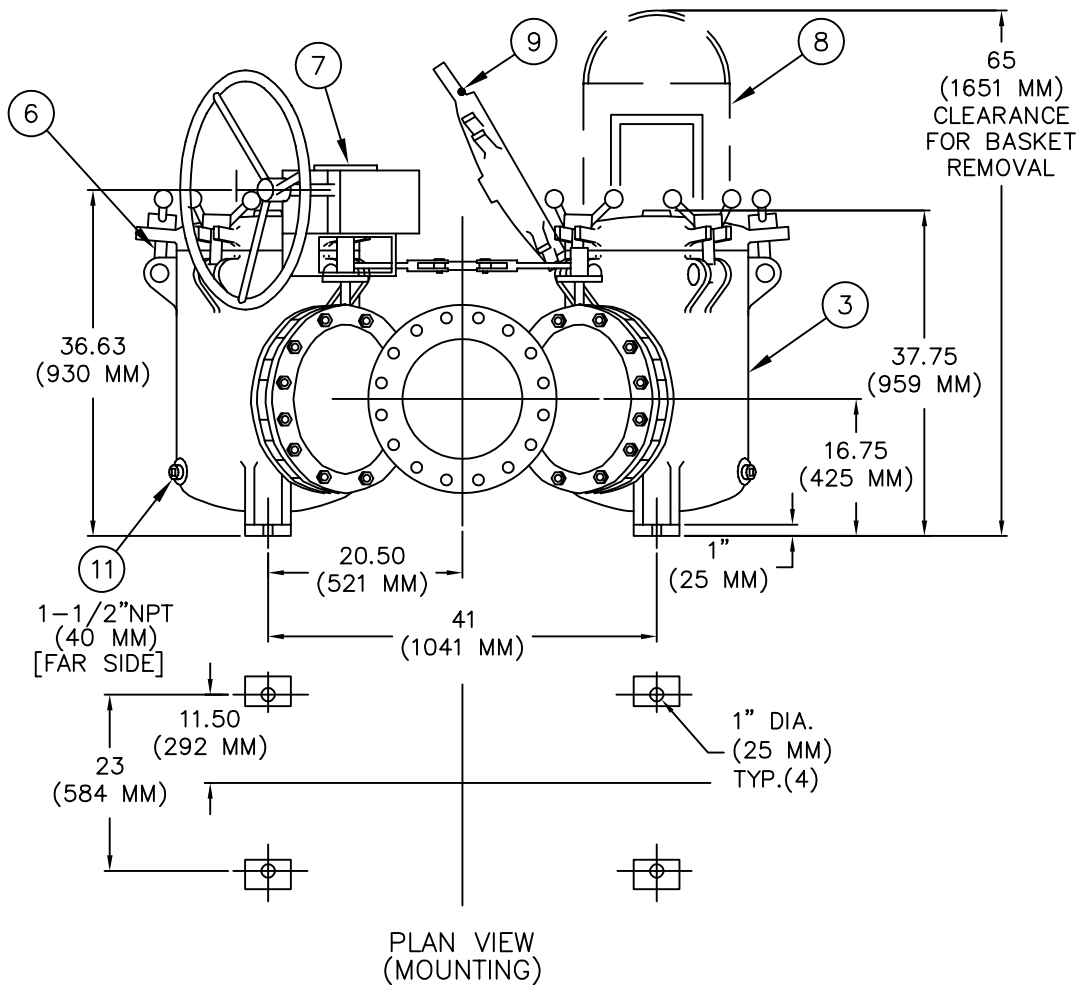


NOTE:

1. INLET/OUTLET FLANGE PER ASME B16.1 CLASS 125 FF FLANGE.
2. MAX. WORKING PRESS.: 200 PSI [13.8 BAR.]
100° F [37.8° C]
3. DIMENSIONS ARE IN INCHES / (MM)
4. WEIGHT: 2650 LBS. (1202 KG.)
5. HANDWHEEL LOCATED LEFT SIDE OF INLET.

CAUTION:

DUE TO THE TYPE OF CONSTRUCTION OF THIS STRAINER, ALL DIMENSIONS MAY VARY PLUS OR MINUS 1.50% OF THE CHARTED FIGURES. THE CUSTOMER IS ADVISED NOT TO FABRICATE ADJOINING PIPING UNTIL RECEIPT OF THE UNIT AT THE JOB SITE.



13	PIPE PLUG (GAGE)	IRON
12	PIPE PLUG (VENT)	IRON
11	PIPE PLUG (DRAIN)	IRON
10	BOLT/NUT	CARBON STEEL
9	O-RING	BUNA-N
8	BASKET PERF. DIA. MESH SIZE	
7	GEAR OPERATOR	IRON
6	SWING BOLTS	CARBON STEEL
5	COVER	CAST IRON A126 CL.C
4	LINKAGE	STEEL
3	BODY	CAST IRON A126 CL.C
2	BUTTERFLY VALVE	IRON /BUNA-N SEAL
1	FLANGED Y	CAST IRON A126 CL.C
ITEM	DESCRIPTION	MATERIAL

PART LIST FOR:

DRAWN BY FM
SCALE AS DRAWN
RESTRICTION RESTRICTED
SHEET 1 OF 1
PROJECTION THIRD ANGLE

EATON HYDRAULICS GROUP
FILTRATION DIVISION
GALESBURG, MICHIGAN, USA • TINTON FALLS, NEW JERSEY, USA

TITLE
MODEL 52 DUPLEX STRAINER 125# FLAT FACE
FLANGE SIZE 12" CAST IRON (HANDWHEEL ON INLET)

DATE 8/16/04	SIZE A	DWG FILENAME SD052112	REV E
-----------------	-----------	--------------------------	----------

EATON CORPORATION - CONFIDENTIAL AND PROPRIETARY NOTICE TO PERSONS RECEIVING THIS DRAWING AND/OR TECHNICAL INFORMATION
THIS DOCUMENT, INCLUDING THE DRAWING AND INFORMATION CONTAINED THEREON IS CONFIDENTIAL AND IS THE EXCLUSIVE PROPERTY OF EATON AT ANY TIME. BY TAKING THE POSSESSION OF THIS DOCUMENT THE RECIPIENT ACKNOWLEDGES AND AGREES THAT THIS DOCUMENT CANNOT BE USED IN ANY MANNER ADVERSE TO THE INTEREST OF EATON AND THAT NO PORTION OF THIS DRAWING MAY BE COPIED OR OTHERWISE REPRODUCED WITHOUT THE PRIOR WRITTEN CONSENT OF EATON, IN THE CASE OF CONFLICTING CONTRACTUAL PROVISIONS, THIS NOTICE SHALL GOVERN THE STATUS OF THIS DOCUMENT.
2015 EATON CORPORATION - ALL RIGHTS RESERVED.

CUSTOMER INFO

NAME	
P.O. NO.	
TAG NO.	
S.O. NO.	
PART NO.	ST052120AF4021