

Model 30R

- Sizes 1- 1/2" to 8"
- Iron
- Threaded or flanged

Features

- Hand removable cover
- Drain plug
- Machined basket seat
- Perforated or mesh 316 stainless steel basket

Options

- Basket perforations from 1/32" to 1/2"
- Basket mesh from 20 to 400
- MONEL® baskets
- Vent valves
- Drain valves
- Gauge/vent taps - 1/4" NPT
- Magnetic basket inserts
- Pressure differential gauges and switches

MONEL® is a registered trademark of Special Metals Corporation group of Companies.



The Eaton Model 30R is a high-quality, low cost simplex basket strainer—perfect for cost sensitive applications.

Whereas the cost of the Model 30R is low, its design incorporates many features found only on more expensive units, including machined basket seats to protect against bypass, ensuring all of the flow is strained. The cover of the Model 30R is a clamp type and is hand removable

without the need for tools. This makes access to the basket quick and easy for cleanings or changeouts and every size strainer comes standard with a drain plug.

The Model 30R is the best choice simplex strainer for low or moderate pressure applications such as swimming pools, cooling towers and large air conditioning installations.

Selection chart

Size	Material	End connections	Seals	Pressure rating*
1-1/2" to 3"	Iron	Threaded	Buna-N®	200 psi (13.8 bar)
1-1/2" to 8"	Iron	Flanged 125#	Buna-N	200 psi (13.8 bar)

* @ 100 °F (38 °C)

Cv factors*

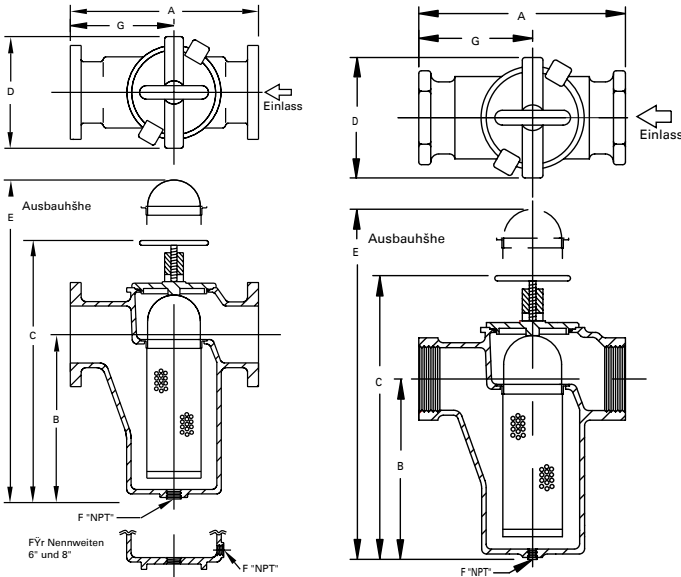
Size	Value	Size	Value
1-1/2"	58	4"	240
2"	90	6"	370
2-1/2"	140	8"	600
3"	200		

* For water with clean, perforated basket

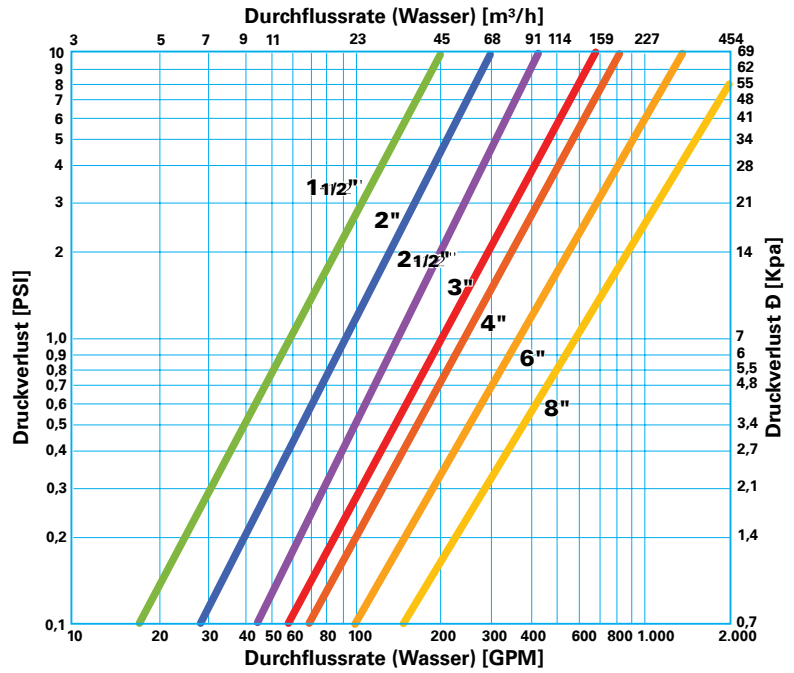


Powering Business Worldwide

Model 30R Economy Basket Strainer



Dimensions and weights are for reference only. Contact Eaton for certified drawings.



Dimensions (in/mm) flanged

Pipe size	A	B	C	D	E	F	G	Dry wt (lb / kg)
1-1/2	7.75 / 197	6.50 / 165	10.63 / 270	6.00 / 152	14.88 / 378	3/4	4.44 / 113	12 / 5.5
2	9.63 / 245	7.50 / 191	11.63 / 295	7.50 / 191	17.38 / 441	1-1/4	5.63 / 143	27 / 12.3
2-1/2	11.00 / 279	9.13 / 232	15.25 / 387	8.00 / 203	22.38 / 568	1-1/4	5.88 / 149	45 / 20.5
3	11.88 / 302	9.13 / 232	15.25 / 387	8.00 / 203	22.38 / 568	1-1/4	6.50 / 165	59 / 26.6
4	13.75 / 349	9.63 / 245	16.63 / 422	9.25 / 235	30.00 / 762	1-1/2	8.44 / 214	71 / 32.2
6	17.50 / 445	12.38 / 315	26.13 / 664	14.75 / 375	35.00 / 889	2	10.31 / 262	150 / 68.1
8	23.63 / 600	17.75 / 451	32.63 / 829	14.75 / 375	48.00 / 1219	2	14.50 / 368	230 / 104.3

Dimensions (in/mm) threaded

Pipe size	A	B	C	D	E	F	G	Dry wt (lb / kg)
1-1/2	7.00 / 178	6.50 / 165	10.63 / 270	6.00 / 152	14.88 / 378	3/4 / 20	3.88 / 99	7 / 3.2
2	8.50 / 216	7.50 / 191	11.63 / 295	7.50 / 191	17.38 / 441	1-1/4 / 32	4.81 / 122	20 / 9.1
2-1/2	11.50 / 292	9.13 / 232	15.25 / 387	8.00 / 203	22.38 / 568	1-1/4 / 32	6.00 / 152	34 / 15.5
3	11.50 / 292	9.13 / 232	15.25 / 387	8.00 / 203	22.63 / 575	1-1/4 / 32	6.00 / 152	34 / 15.5

North America
44 Apple Street
Tinton Falls, NJ 07724
Toll Free: 800 656-3344
(North America only)
Tel: +1 732 212-4700

Europe/Africa/Middle East
Auf der Heide 2
53947 Nettersheim, Germany
Tel: +49 2486 809-0

Internormen Product Line
Friedensstraße 41
68804 Altlufsheim, Germany
Tel: +49 6205 2094-0

Begerow Product Line
An den Nahewiesen 24
55450 Langenlonsheim, Germany
Tel: +49 6704 204-0

China
No. 3, Lane 280,
Linhong Road
Changning District, 200335
Shanghai, P.R. China
Tel: +86 21 5200-0099

Singapore
4 Loyang Lane #04-01/02
Singapore 508914
Tel: +65 6825-1668

Brazil
Av. Julia Gaioli, 474 – Bonsucesso
07251-500 – Guarulhos, Brazil
Tel: +55 11 2465-8822

For more information, please
email us at filtration@eaton.com
or visit www.eaton.com/filtration

© 2014 Eaton. All rights reserved. All trademarks and registered trademarks are the property of their respective owners. All information and recommendations appearing in this brochure concerning the use of products described herein are based on tests believed to be reliable. However, it is the user's responsibility to determine the suitability for his own use of such products. Since the actual use by others is beyond our control, no guarantee, expressed or implied, is made by Eaton as to the effects of such use or the results to be obtained. Eaton assumes no liability arising out of the use by others of such products. Nor is the information herein to be construed as absolutely complete, since additional information may be necessary or desirable when particular or exceptional conditions or circumstances exist or because of applicable laws or government regulations.

US
EF-SSEA-9
6-2014