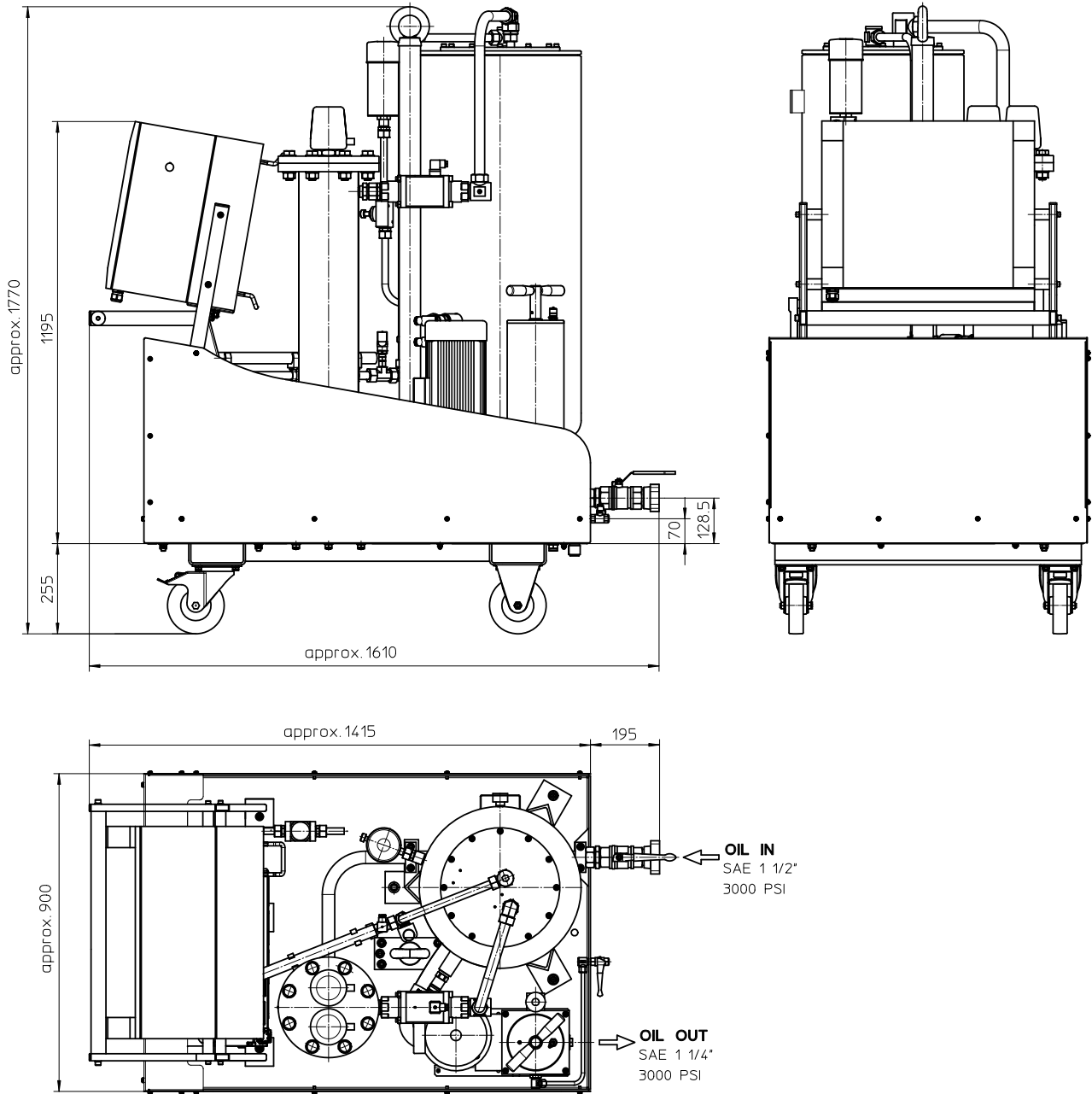


Series IFPM 72



Weight: approx. 528 kg

Dimensions: mm

Designs and performance values are subject to change.

Fluid Purifier System

Series IFPM 72

Description:

Effects of Water Contamination:

Water is one of the most common contaminants and the second most destructive besides particulate contamination. Some of the most damaging problems water contamination can cause are:

- Fluid breakdown
 - Additive depletion
 - Reduction of the lubrication properties of the fluid
 - Oil oxidation
- Internal corrosion
- Abrasive wear in system components
- Reduced dielectric strength

Principle of Operation:

The contaminated fluid is drawn into the Fluid Purifier System by a vacuum.

The fluid is passing a heater which is raising the temperature in order to increase the dewatering speed.

The fluid then enters through a solenoid valve into the vacuum chamber. In the vacuum chamber a big free surface is created with filling material. Here the water is absorbed by the air. Through an oil mist separator the humid air is released to the atmosphere with a vacuum pump.

With a gear pump the vacuum chamber is drained and the fluid is pumped back to the system through a high efficiency particulate removal filter.

The standard installed water sensor allows a permanent control of the water saturation of the fluid.

Type index:

Fluid Purifier System: (ordering example)

IFPM.	72.	6VG.	10.	B.	V.	-.
1	2	3	4	5	6	7
P23.	D01.	VP07.	VS5.	A		
8	9	10	11	12		

- 1 series:**
IFPM = Fluid Purifier System, mobile
- 2 nominal size:** 72
- 3 filter material:**
10VG, 6VG, 3VG, 1VG microglass
- 4 filter element collapse rating:**
10 = Δp 10 bar (1000 kPa)
- 5 filter element design:**
B = both sides open
- 6 sealing material:**
V = Viton (FPM)
- 7 filter element specification:**
- = standard
VA = stainless steel
- 8 pump unit:**
P23 = pump unit 236, NG 80.50
- 9 motor:**
D01 = rotary current motor 50 Hz:
1,5 kW, 3-phase, 220...240/380...420V
rotary current motor 60 Hz:
1,8 kW, 3-phase, 220...277/380...480V
- 10 vacuum pump:**
VP07 = vacuum pump 07:
50 Hz: 1,25 kW, 3-phase, 220...240/380...420V
60 Hz: 1,50 kW, 3-phase, 220...277/380...480V
- 11 clogging sensor:**
VS5 = VS5.1,5.V.-.NO.-.B.GS5, electric,
at p1 and p2, 1,5 bar (150 kPa), see sheet no. 1641
- 12 supply voltage:**
A = 380V-415V; 50/60 Hz; 3Ph + N + PE
(delivery with 32A CEE plug for 3-phase current)
B = 440V-480V; 60 Hz; 3Ph + PE
E = 380V-415V; 50/60 Hz; 3Ph + PE
X = other voltage on request

Filter element: (ordering example)

01NR.	630.	6VG.	10.	B.	V.	-
1	2	3	4	5	6	7

- 1 Bauart:**
01NR = standard-return-line filter element
according to DIN 24550, T4
- 2 nominal size:** 630
- 3 - 7** | see type index- Fluid Purifier Systems

Technical data:

inlet connection:	1 ½" SAE-flange 3000 PSI
outlet connection:	1 ¼" SAE-flange 3000 PSI
circulation flow rate:*	70,3 l/min (50 Hz) / 84,4 l/min (60 Hz)
operating vacuum:	-0,6 bar (-60 kPa)
heater power:	supply voltage A + E: 6000 Watt/400V supply voltage B: 6000 Watt/460V
filter type:	NF 631
seal material:	Viton (FPM)
viscosity:	12...700 mm ² /s
dewatering rate:**	54 l/day
protection class:	IP54
ambient temperature:	0°C to +40°C
fluid temperature:	10°C to +80°C
external protection:	25 A

* At a viscosity of the fluid of 32 mm²/s.

** Dewatering rate of free water, at a hydraulic oil of the viscosity class ISO VG32 and a fluid temperature of 60°C.

Test methods:

Filter elements are tested according to the following ISO standards:

ISO 2941	Verification of collapse/burst resistance
ISO 2942	Verification of fabrication integrity
ISO 2943	Verification of material compatibility with fluids
ISO 3723	Method for end load test
ISO 3724	Verification of flow fatigue characteristics
ISO 3968	Evaluation of pressure drop versus flow characteristics
ISO 16889	Multi-pass method for evaluating filtration performance

Note: Spare parts see maintenance manual.



North America

44 Apple Street
Tinton Falls, NJ 07724
Toll Free: 800 656-3344
(North America only)
Tel: +1 732 212-4700

Europe/Africa/Middle East

Auf der Heide 2
53947 Nettersheim, Germany
Tel: +49 2486 809-0

Friedensstraße 41
68804 Altlußheim, Germany
Tel: +49 6205 2094-0

An den Nahewiesen 24
55450 Langenlonsheim, Germany
Tel: +49 6704 204-0

China

No. 3, Lane 280,
Linhong Road
Changning District, 200335
Shanghai, P.R. China
Tel: +86 21 5200-0099

Singapore

100G Pasir Panjang Road #07-08
Singapore 118523
Tel: +65 6825-1668

Brazil

Rua Clark, 2061 - Macuco
13279-400 - Valinhos, Brazil
Tel: +55 11 3616-8400

**For more information, please
email us at filtration@eaton.com
or visit www.eaton.com/filtration**

© 2019 Eaton. All rights reserved. All trademarks and registered trademarks are the property of their respective owners. All information and recommendations appearing in this brochure concerning the use of products described herein are based on tests believed to be reliable. However, it is the user's responsibility to determine the suitability for his own use of such products. Since the actual use by others is beyond our control, no guarantee, expressed or implied, is made by Eaton as to the effects of such use or the results to be obtained. Eaton assumes no liability arising out of the use by others of such products. Nor is the information herein to be construed as absolutely complete, since additional information may be necessary or desirable when particular or exceptional conditions or circumstances exist or because of applicable laws or government regulations.