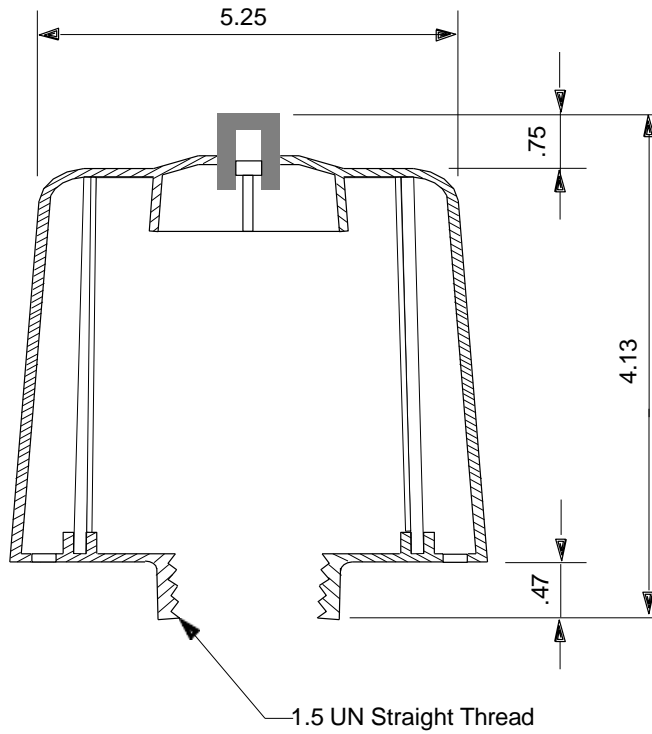


Series BR 210



DIRT-Gate media is made of a strong graded matrix especially designed for removing airborne contamination. This media is pleated to maximize surface area (high dirt holding capacity) and provides high efficiency (99% at 2 micron) with very low pressure drop.

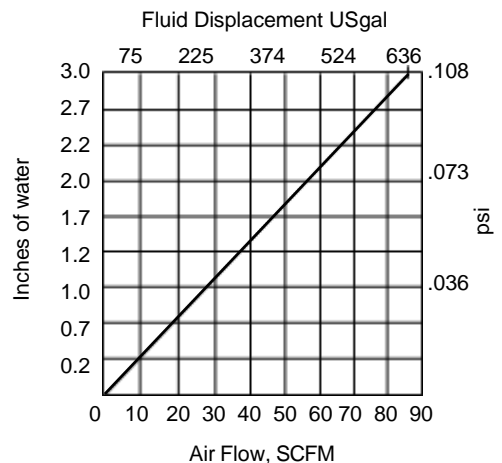
Features & Benefits

- Rugged ABS plastic housing can be exposed to temperatures as high as 250°F, and is corrosion resistant.
- Visual mechanical indicator, which triggers at Δp 1 psid (during exhalation).
- Easy installation. Lightweight design requires only hand tightening.
- Low pressure drop across filter media reduces stress on reservoir and system components.
- Plated steel core prevents filter media distortion.

Technical data

Housing material:	ABS Plastic
Temperatures:	up to 250°F
Efficiency:	99% at 2 micron
Weight:	0.66 lbs.

Pressure drop:



NOTE:

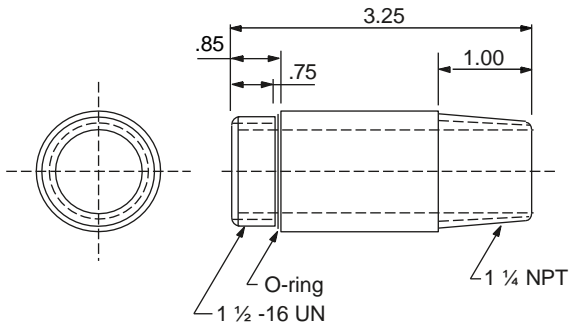
Mobile systems may actuate the indicator due to vibrations, in which case the element should be changed after 500 hours of operation.

Dimensions: inches

Designs and performance values are subject to change.

Adapters (Installation/Dimensions)

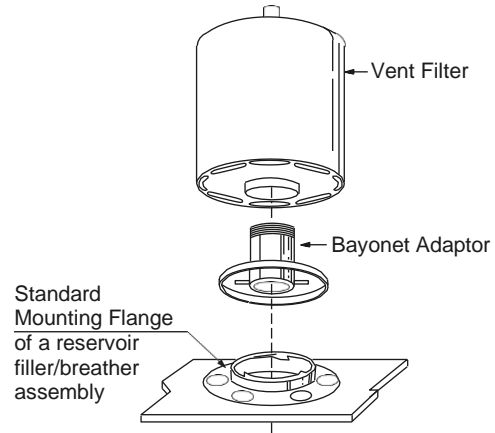
Threaded Pipe Adaptor



MODELS AND PART NUMBERS

PART NUMBERS Applicable	Description	Vent Filter
924710	Bayonet, no check	BR210
P-077002	Threaded pipe	BR210

Bayonet adaptor



All Eaton Vent filters are easily applied to reservoirs via Spin-On adaptors.

North America
 18684 Lake Drive East
 Chanhassen, MN 55317
 Toll Free: +1 800-656-3344
 (North America only)
 Tel: +1 732-212-4700

Greater China
 No. 7, Lane 280,
 Linhong Road
 Changning District, 200335
 Shanghai, P.R. China
 Tel: +86 21 5200-0099

Europe/Africa/Middle East
 Auf der Heide 2
 53947 Nettersheim, Germany
 Tel: +49 2486 809-0

Asia-Pacific
 100G Pasir Panjang Road
 #07-08 Interlocal Centre
 Singapore 118523
 Tel: +65 6825-1668

Friedensstraße 41
 68804 Altlufheim, Germany
 Tel: +49 6205 2094-0
 An den Nahewiesen 24
 55450 Langenlonsheim, Germany
 Tel: +49 6704 204-0

**For more information, please
 email us at filtration@eaton.com
 or visit www.eaton.com/filtration**

© 2023 Eaton. All rights reserved. All trademarks and registered trademarks are the property of their respective owners. All information and recommendations appearing in this brochure concerning the use of products described herein are based on tests believed to be reliable. However, it is the user's responsibility to determine the suitability for his own use of such products. Since the actual use by others is beyond our control, no guarantee, expressed or implied, is made by Eaton as to the effects of such use or the results to be obtained. Eaton assumes no liability arising out of the use by others of such products. Nor is the information herein to be construed as absolutely complete, since additional information may be necessary or desirable when particular or exceptional conditions or circumstances exist or because of applicable laws or government regulations.