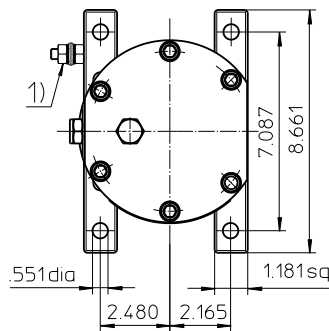
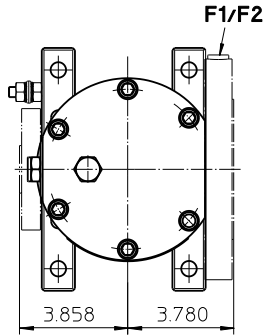


Series ELA 636

NPS 3" CLASS 150-300 PSI

1) Connection for the potential equalization, only for application in the explosive area.

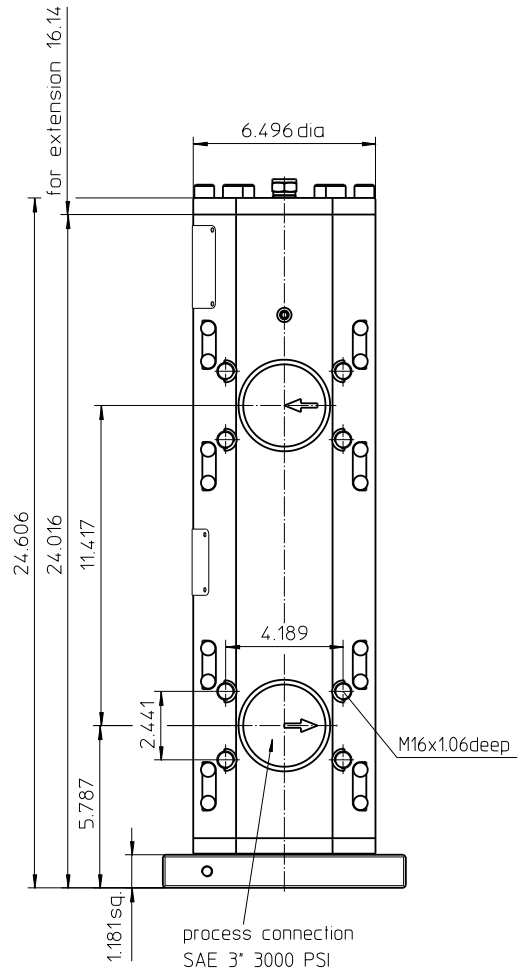
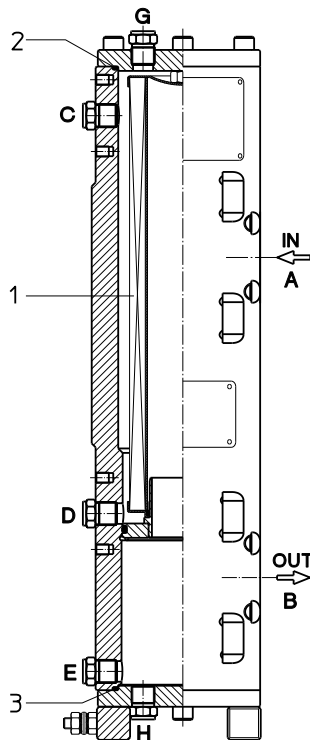
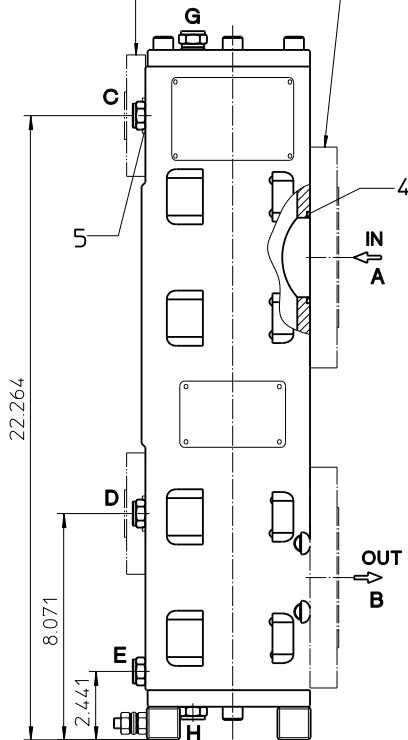


Assignment of connection and functions:

- A: process inlet SAE 3" 3000 PSI
- B: process outlet SAE 3" 3000 PSI
- C: air bleeding NPT 1/2"
- D: drain, dirt side NPT 1/2"
- E: drain, clean side NPT 1/2"
- F1: measuring connection BSPP 1/4 dirt side
- F2: measuring connection BSPP 1/4 clean side
- G: air bleeding NPT 1/2"
- H: drain NPT 1/2"

execution with adapter ANSI 3/4" B16.5 CLASS 150/300 PSI

execution with adapter ANSI 3" B16.5 CLASS 150/300 PSI



Weight: approx. 120 lbs.

Dimensions: inches

Designs and performance values are subject to change.



Powering Business Worldwide

Pressure Filter

Series ELA 636

NPS 3" CLASS 150-300 PSI

Description:

Stainless steel-inline filter series ELA 636 have a working pressure up to 580 PSI. Pressure peaks can be absorbed with a sufficient safety margin.

The filter element consists of star-shaped, pleated filter material which is supported on the inside by a perforated core tube and is bonded to the end caps with a high-quality adhesive. The flow direction is from outside to inside.

For cleaning the stainless steel mesh element (see special leaflets 21070-4 and 39448-4) or changing the filter element, remove the cover and take out the element. The mesh elements are not guaranteed to maintain 100% performance after cleaning.

For filtration finer than 40 µm use disposable elements made of microglass. Filter elements as fine as 5 µm(c) are available; finer filter elements are available upon request.

Eaton filter elements are known for a high intrinsic stability and an excellent filtration capability, a high dirt-retaining capacity and a long service life.

Eaton filter elements are suitable for all petroleum based fluids, HW-emulsions, most synthetic hydraulic fluids and lubrication oils.

Ship classifications available upon request.

Type index:

Complete filter: (ordering example)

ELA. 636. 10VG. 30. E. P. VA. FS. A. -. VA.

1	2	3	4	5	6	7	8	9	10	11
---	---	---	---	---	---	---	---	---	----	----

IS21. -. -

12	13	14
----	----	----

- | | |
|----|--|
| 1 | series:
ELA = stainless steel-inline filter according to ASME-code |
| 2 | nominal size: 636 |
| 3 | filter material:
80G, 40G, 25G, 10G stainless steel wire mesh
25VG, 16VG, 10VG, 6VG, 3VG microglass
25API, 10API microglass according to API |
| 4 | filter element collapse rating:
30 = Δp 435 PSI |
| 5 | filter element design:
E = single-end open |
| 6 | sealing material:
P = Nitrile (NBR)
V = Viton (FPM) |
| 7 | filter element specification:
- = standard
VA = stainless steel |
| 8 | process connection:
FS = flange connection SAE 3000 PSI (standard)
FA1 = flange ANSI CLASS 300 PSI ¹⁾
FA2 = flange ANSI CLASS 300 PSI ²⁾
FA11 = flange ANSI CLASS 150 PSI ¹⁾
FA12 = flange ANSI CLASS 150 PSI ²⁾ |
| 9 | process connection size:
A = 3" |
| 10 | air bleeding/drain dirt side:
- = standard (NPT ½")
FA1 = flange ANSI ¾" CLASS 300 PSI ¹⁾
FA2 = flange ANSI ¾" CLASS 300 PSI ²⁾
FA11 = flange ANSI ¾" CLASS 150 PSI ¹⁾
FA12 = flange ANSI ¾" CLASS 150 PSI ²⁾ |
| 11 | filter housing specification:
VA = stainless steel, see sheet-no. 70657 |
| 12 | specification pressure vessel:
IS21 = ASME VIII Div.1 with U-stamp, see sheet-no. 43415
IS23 = ASME VIII Div.1 without U-stamp, see sheet-no. 55218 |
| 13 | shut-off :
- = without |
| 14 | clogging indicator:
- = without |

¹⁾ sealing surface rough grind 1600-3600 µin

²⁾ sealing surface rough grind < 640 µin

Filter element: (ordering example)

01NLM. 636. 10VG. 30. E. P. VA

1	2	3	4	5	6	7
---	---	---	---	---	---	---

- | | |
|---|---|
| 1 | series:
01NLM = standard filter element according to DIN 24550, T3 with hex nut |
| 2 | nominal size: 636 |
| 3 | - 7 see type index-complete filter |

Technical data:

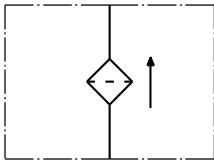
operating temperature:	+14°F to +212°F
operating medium:	mineral oil, other media on request
max. operating pressure (pressure vessel):	580 PSI
test pressure acc. to ASME VIII Div. 1:	1,3 x operating pressure = 754 PSI
test pressure acc. to API 614, Chapter 1:	1,5 x operating pressure = 870 PSI
standard-process connection:	flange connection SAE-flange 3000 PSI
housing material:	stainless steel, see sheet-no. 70657
sealing material:	Nitrile (NBR) or Viton (FPM), other materials on request
installation position:	vertical
bleeder connection:	NPT ½"
drain connection dirt side:	NPT ½"
drain connection clean side:	NPT ½"
volume tank:	1.6 Gal.
operating pressure adapter flanges:	according to B16.5 CLASS 150/300 PSI

Classified under the Pressure Equipment Directive 2014/68/EU for mineral oil (fluid group 2), Article 4, Para. 3. Classified under ATEX Directive 2014/34/EU according to specific application (see questionnaire sheet-no. 34279-4)

Pressure drop flow curves:

Precise flow rates see 'Interactive Product Specifier', respectively Δp-curves; depending on filter fineness and viscosity.

Symbol:



Spare parts:

item	qty.	designation	dimension	article-no.	
1	1	filter element	01.NLM636...		
2	1	O-ring	120 x 3.5	305146 (NBR)	305202 (FPM)
3	1	O-ring	120 x 3.5	305146 (NBR)	305202 (FPM)
4	2	O-ring (only with execution with adapter)	74 x 3,5	346556 (NBR)	352127(FPM)
5	2	O-ring (only with execution with adapter)	24,99 x 3,53	304381 (NBR)	315784 (FPM)

Test methods:

Filter elements are tested according to the following ISO standards:

ISO 2941	Verification of collapse/burst resistance
ISO 2942	Verification of fabrication integrity
ISO 2943	Verification of material compatibility with fluids
ISO 3723	Method for end load test
ISO 3724	Verification of flow fatigue characteristics
ISO 3968	Evaluation of pressure drop versus flow characteristics
ISO 16889	Multi-pass method for evaluating filtration performance



North America

18684 Lake Drive East
Chanhassen, MN 55317
Toll Free: +1 800-656-3344
(North America only)
Tel: +1 732-212-4700

Europe/Africa/Middle East

Auf der Heide 2
53947 Nettersheim, Germany
Tel: +49 2486 809-0

Friedensstraße 41
68804 Altlußheim, Germany
Tel: +49 6205 2094-0

An den Nahewiesen 24
55450 Langenlonsheim, Germany
Tel: +49 6704 204-0

Greater China

No. 7, Lane 280,
Linhong Road
Changning District, 200335
Shanghai, P.R. China
Tel: +86 21 2899-3687

Asia-Pacific

100G Pasir Panjang Road
#07-08 Interlocal Centre
Singapore 118523
Tel: +65 6825-1620

**For more information, please
email us at filtration@eaton.com
or visit www.eaton.com/filtration**

© 2024 Eaton. All rights reserved. All trademarks and registered trademarks are the property of their respective owners. All information and recommendations appearing in this brochure concerning the use of products described herein are based on tests believed to be reliable. However, it is the user's responsibility to determine the suitability for his own use of such products. Since the actual use by others is beyond our control, no guarantee, expressed or implied, is made by Eaton as to the effects of such use or the results to be obtained. Eaton assumes no liability arising out of the use by others of such products. Nor is the information herein to be construed as absolutely complete, since additional information may be necessary or desirable when particular or exceptional conditions or circumstances exist or because of applicable laws or government regulations.