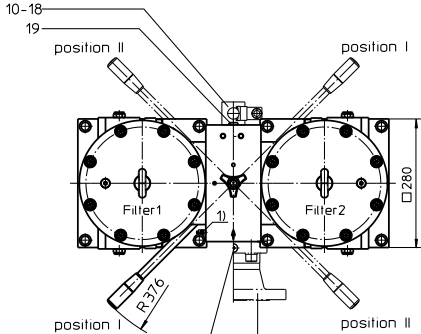
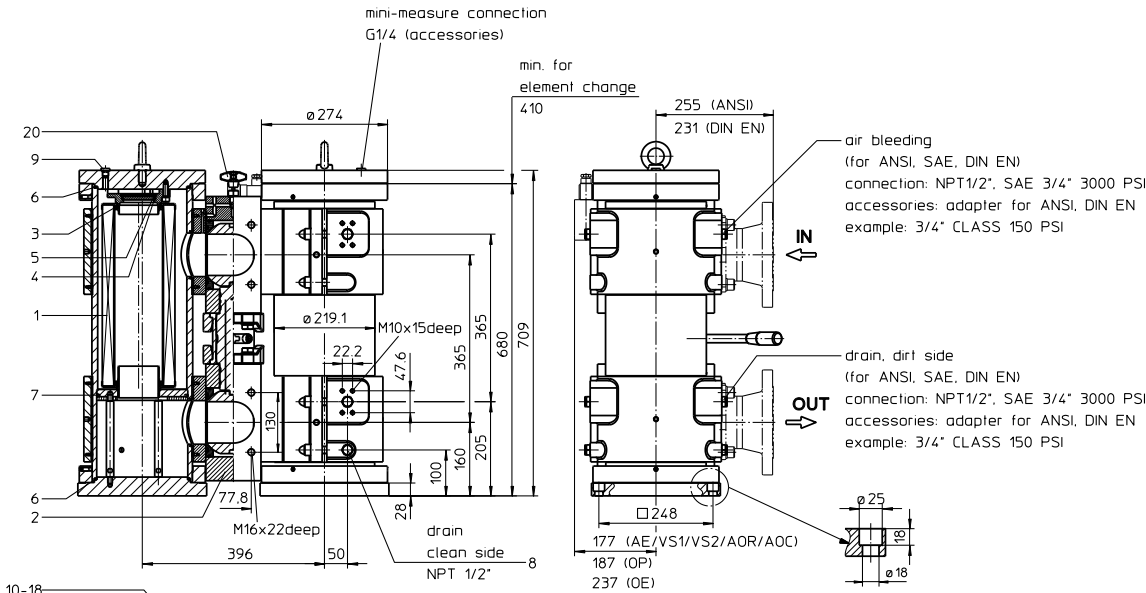


**PRESSURE FILTER, change-over**  
**Series DA 1015 NPS 4" CLASS 150 PSI**

Sheet No.  
**2181 C**



mini-measure connection  
 G1/4 at inlet and outlet

process connection  
 (for ANSI, SAE, DIN EN)  
 connection: SAE 4" 3000 PSI  
 accessories: adapter for ANSI, DIN EN  
 example: 4" B16.5 CLASS 150 PSI

1) Connection for the potential equalisation at inlet and outlet, only for application in the explosive area.

Position I: Filter 1 in operation  
 Position II: Filter 2 in operation

**1. Type index:**

**1.1. Complete filter: (ordering example)**

**DA. 1015. 10VG. 10. B. P. -. FS. B. -. -. AE. AV. IS21. F. F**

1	2	3	4	5	6	7	8	9	10	11	12	13	14	15	16
---	---	---	---	---	---	---	---	---	----	----	----	----	----	----	----

- 1 **series:**  
DA = pressure filter change-over, according to ASME-code
- 2 **nominal size:** 1015
- 3 **filter-material and filter-fineness:**  
80 G = 80 µm, 40 G = 40 µm, 25 G = 25 µm, 10 G = 10 µm stainless steel wire mesh  
25 VG = 20 µm<sub>(G)</sub>, 16 VG = 15 µm<sub>(G)</sub>, 10 VG = 10 µm<sub>(G)</sub>, 6 VG = 7 µm<sub>(G)</sub>, 3 VG = 5 µm<sub>(G)</sub> Interpor fleece (glass fibre)  
25 API = 20 µm, 10 API = 10 µm Interpor fleece (glass fibre) according to API  
10 P = 10 µm paper
- 4 **resistance of pressure difference for filter element:**  
10 = Δp 10 bar
- 5 **filter element design:**  
B = both sides open
- 6 **sealing material:**  
P = Nitrile (NBR), V = Viton (FPM)
- 7 **filter element specification:**  
- = standard, VA = stainless steel
- 8 **process connection:**  
FS = SAE-flange connection 3000 PSI  
FA11 = ANSI-flange connection CLASS 150 PSI, sealing surface R<sub>z</sub> = 160 µm (not finer than 40 µm)  
FA12 = ANSI-flange connection CLASS 150 PSI, sealing surface R<sub>z</sub> = 16 µm  
FD1 = flange connection DIN EN 1092-1, design B1  
FD2 = flange connection DIN EN 1092-1, design B2
- 9 **process connection size:**  
B = 4"
- 10 **filter housing specification:**  
- = standard  
IS12 = internal parts of change-over armature stainless steel, see sheet-no. 41028
- 11 **internal valve:**  
- = without, S1 = with by-pass valve Δp 3,5 bar
- 12 **clogging indicator or clogging sensor:**  
- = without, OP = visual, see sheet-no. 1628  
AOR = visual, see sheet-no. 1606, OE = visual-electrical, see sheet-no. 1628  
AOC = visual, see sheet-no. 1606, VS1 = electronical, see sheet-no. 1607  
AE = visual-electrical, see sheet-no. 1609, VS2 = electronical, see sheet-no. 1608
- 13 **shut-off valve:**  
- = without, AV = shut-off valve, see sheet-no. 1655
- 14 **specification pressure vessel:**  
- = standard (PED 97/23/EC)  
IS20 = ASME VIII Div.1 with ASME equivalent material, see sheet-no. 55217  
IS21 = ASME VIII Div.1 with U-stamp, see sheet-no. 43415  
IS23 = ASME VIII Div.1 without U-stamp, see sheet-no. 55218
- 15 **switch lever:**  
F = toward IN/OUT, B = opposite IN/OUT
- 16 **air bleeding/drain:**  
F = toward IN/OUT, B = opposite IN/OUT

**1.2. Filter element: (ordering example)**

**01NR. 1000. 10VG. 10. B. P. -**

1	2	3	4	5	6	7
---	---	---	---	---	---	---

- 1 **series:**  
01NR = standard-return-line filter element according to DIN 24550, T4
- 2 **nominal size:** 1000
- 3 - 7 see type index complete filter

weight: approx. 415 kg

Changes of measures and design are subject to alteration!



Friedensstrasse 41, 68804 Altlussheim, Germany

phone +49 - (0)6205 - 2094-0 e-mail info-internormen@eaton.com  
 fax +49 - (0)6205 - 2094-40 url [www.eaton.com/filtration](http://www.eaton.com/filtration)

## 2. Accessories:

- SAE-counter flanges, see sheet-no. 1652
- adapter for connection acc. to EN1092-1, see sheet-no. 1657
- adapter for ANSI-connection B16.5 CLASS 150 PSI, see sheet-no. 1658
- measure- and bleeder-connections, see sheet-no. 1650
- drain- and bleeder connection, see sheet-no. 1659

## 3. Spare parts:

item	qty.	designation	dimension	article-no.
1	2	filter element	01NR.1000 ...	
2	1	change over UKK	DN 100	
3	4	O-ring	90 x 4	306941 (NBR)   307031 (FPM)
4	2	O-ring	62 x 4	308045 (NBR)   311472 (FPM)
5	2	circlip	DIN472-75x2,5-ST	311471
6	4	O-ring	200 x 4	334555 (NBR)   334554 (FPM)
7	2	O-ring	185 x 6	335381 (NBR)   335306 (FPM)
8	12	screw plug	NPT ½"	307766
9	2	screw plug	G ¼"	305003
10	1	clogging indicator, visual	AOR or AOC	see sheet-no. 1606
11	1	clogging indicator, visual-electrical	OP	see sheet-no. 1628
12	1	clogging indicator, visual-electrical	OE	see sheet-no. 1628
13	1	clogging indicator, visual-electrical	AE	see sheet-no. 1609
14	1	clogging sensor, electronical	VS1	see sheet-no. 1607
15	1	clogging sensor, electronical	VS2	see sheet-no. 1608
16	1	O-ring	15 x 1,5	315357 (NBR)   315427 (FPM)
17	1	O-ring	22 x 2	304708 (NBR)   304721 (FPM)
18	2	O-ring	14 x 2	304342 (NBR)   304722 (FPM)
19	2	screw plug	G ¼"	305003
20	1	pressure balance valve	DN 10	305000

item 19 execution only with clogging indicator or clogging sensor

## 4. Description:

Pressure filters, change-over series DA 1015 are suitable for operating pressure up to 40 bar.

Pressure peaks can be absorbed with a sufficient margin of safety.

Change-over ball valve which, integrated in the middle of the housing, makes it possible to switch from the dirty filter-side to the clean filter-side without interrupting operation.

The filter element consists of star-shaped, pleated filter material which is supported on the inside by a perforated core tube and is bonded to the end caps with a high-quality adhesive. The flow direction is from outside to the inside.

These filters can be installed as suction filters.

For cleaning (see special leaflet 21070-4 and 34448-4) the mesh element respectively to change the glass fibre element remove the cover and take out the element.

Filter finer than 40 µm should use throw-away elements made of paper or Interpor fleece (glass fibre). Filter elements as fine as 5 µm<sub>(c)</sub> are available; finer filter elements on request.

Internormen Product Line filter elements are known as elements with a high intrinsic stability and an excellent filtration capability, a high dirt-retaining capacity and a long service life.

Internormen Product Line filter are suitable for all petroleum based fluids, HW-emulsions, most synthetic hydraulic fluids and lubrication oils. The inspection according to TÜV, according to ASME VIII Div.1 and the major „Shipyards Classification Societies“ D.N.V.; B.V.; G.L.; L.R.S.; R.I.N.A.; A.B.S. and others are possible. If inspection is required please indicate in your order.

## 5. Technical data:

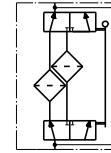
temperature ranges	
- calculation temperature (pressure vessel):	- 10°C to +100°C
- medium temperature:	- 10°C to +80°C
- ambient temperature:	- 40°C to +60°C
- survival temperature:	- 40°C to +100°C (short-time)
operating medium:	mineral oil, other media on request
max. operating pressure housing:	40 bar
test pressure acc. to PED 97/23/EC:	1,43 x operating pressure = 57 bar
test pressure acc. to ASME VIII Div. 1:	1,3 x operating pressure = 52 bar
test pressure acc. to API 614, Chapter 1:	1,5 x operating pressure = 60 bar
connection system:	SAE-flange connection 3000 PSI
housing material:	steel
sealing material:	Nitrile (NBR) or Viton (FPM), other materials on request
installation position:	vertical
bleeder connection :	NPT ½" and SAE ¼" 3000 PSI
drain connection dirt side :	NPT ½" and SAE ¼" 3000 PSI
drain connection clean side :	NPT ½"
volume tank :	2x 19 l
operating pressure adapter flanges:	according to B16.5 CLASS 150 PSI / DIN EN 1092-1

Classified under the Pressure Equipment Directive 97/23/EC for mineral oil (fluid group 2), Article 3, Para. 3.  
Classified under ATEX Directive 94/9/EC according to specific application (see questionnaire sheet-no. 34279-4)

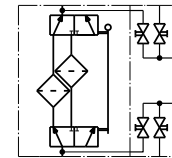
E 2181 C

## 6. Symbols:

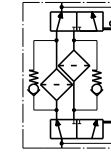
without indicator



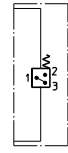
with shut-off valve



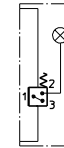
with by-pass valve



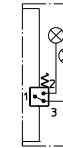
with electrical indicator  
AE 30 and AE 40



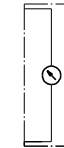
with visual-electrical indicator  
AE 50 and AE 62



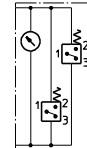
with visual-electrical indicator  
AE 70 and AE 80



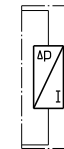
with visual indicator  
AOR/AOC/OP



with visual-electrical indicator  
OE



with electronical sensor  
VS1



with electronical sensor  
VS2



## 7. Pressure drop flow curves:

Precise flow rates see 'Interactive Product Specifier', respectively Δp- curves; depending on filter fineness and viscosity.

## 8. Test methods:

Filter elements are tested according to the following ISO standards:

ISO 2941	Verification of collapse/burst resistance
ISO 2942	Verification of fabrication integrity
ISO 2943	Verification of material compatibility with fluids
ISO 3723	Method for end load test
ISO 3724	Verification of flow fatigue characteristics
ISO 3968	Evaluation of pressure drop versus flow characteristics
ISO 16889	Multi-pass method for evaluating filtration performance