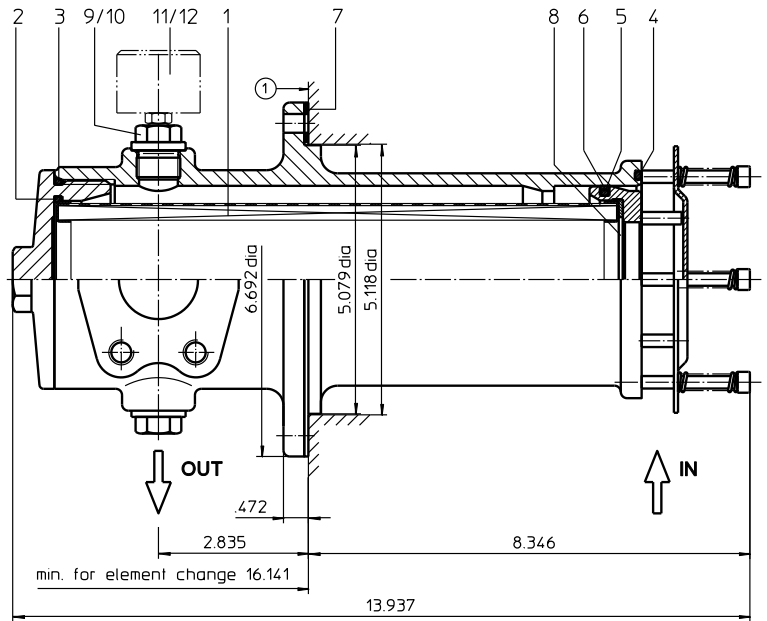
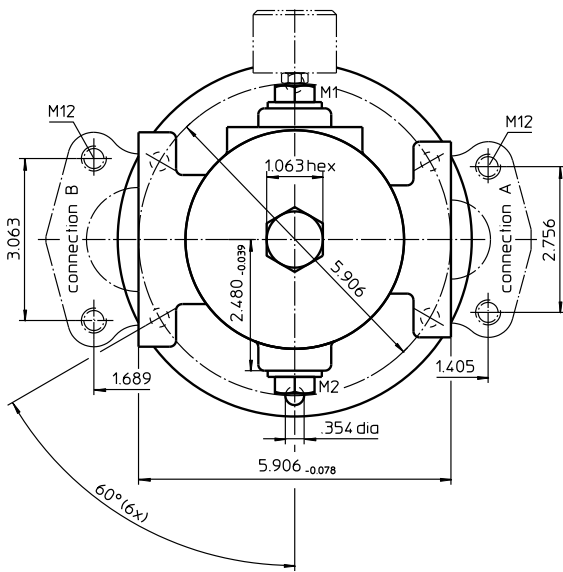


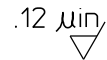
Series AS 220



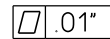
mounting surface



surface quality



flatness tolerance



Weight approx.: 10 lbs.

Dimensions: inches

Designs and performance values are subject to change.



Powering Business Worldwide

Suction Filter

Series AS 220

Description:

The AS-filters can be installed horizontally or vertically in the tank and connected to the suction line. They are easy to maintain. The filter housing is made of high quality aluminum material.

The filter element consists of a star-shaped pleated filter material which is supported on the inside by a perforated core tube and is bonded to the end caps.

Eaton filter elements are known as stable elements which have excellent filtration capabilities and a high dirt retaining capacity, therefore having a long service life.

To change the filter element, the filter cover is unscrewed. When the filter cover is loosened, a plate valve closes the suction side of the filter and prevents dirty oil from flowing back into the tank or, if the filter is installed horizontally, the fluid from escaping from the tank. After the servicing respectively after changing the element the filter is again ready for operation.

Eaton filter can be used for petroleum-based fluids, HW emulsions, water glycols, most synthetic fluids and lubrication fluids. Consult factory for specific fluid applications.

Type index:

Complete filter: (ordering example)

AS. 220. 40G. -. B. P. -. FS. 8. -. O1. -

1	2	3	4	5	6	7	8	9	10	11	12
---	---	---	---	---	---	---	---	---	----	----	----

1 series:

AS = suction filter

2 nominal size: 220

3 filter-material:

40G stainless steel wire mesh

4 filter element collapse rating:

- = not specified

5 filter element design:

B = both sides open

6 sealing material:

P = Nitrile (NBR)

V = Viton (FPM)

7 filter element specification:

- = standard

VA = stainless steel

8 process connection:

FS = SAE-flange connection 3000 PSI

9 no. of version:

version		7	4	8
connection A	type	-	FS	FS
	size	-	7	7
connection B	type	FS	-	FS
	size	8	-	8

type: FS = SAE-flange 3000 PSI

size: - = no connection

7 = 1 1/2"

8 = 2"

10 filter housing specification:

- = standard

11 clogging indicator at M1:

- = without

O1 = visual, see sheet-no. 1616

E4.-0,25 = pressure switch, see sheet-no. 1616

12 clogging indicator at M2:

possible indicators see position 11 of the type index

To add an indicator to your filter, use the corresponding indicator data sheet to find the indicator details and add them to the filter assembly model code.

Filter element: (ordering example)

01AS. 220. 40G. -. B. -. -

1	2	3	4	5	6	7
---	---	---	---	---	---	---

1 series:

01AS. = suction filter element according to company standard

2 nominal size: 220

3 - 5 / 7 see type index-complete filter

6 seling material:

- = without

Accessories:

- SAE-counter flanges, see sheet-no. 1652

Technical data:

operating temperature:	+14°F to +212°F
operating medium	mineral oil, other media on request
process connection:	SAE-flange 3000 PSI
housing material standard:	G-ALSi10Mgwa DIN 1725 (3.2381.61)
sealing material:	Nitrile (NBR) or Viton (FPM), other materials on request
installation position:	optional
volume tank:	.42 Gal.

Classified under the Pressure Equipment Directive 2014/68/EU for mineral oil (fluid group 2), Article 4, Para. 3.
 Classified under ATEX Directive 2014/34/EU according to specific application (see questionnaire sheet-no. 34279-4).

Pressure drop flow curves:

Filter calculation/sizing

The pressure drop of the assembly at a given flow rate Q is the sum of the housing Δp and the element Δp and is calculated as follows:

$$\Delta p_{assembly} = \Delta p_{housing} + \Delta p_{element}$$

$$\Delta p_{housing} = (\text{see } \Delta p = f(Q) - \text{characteristics})$$

$$\Delta p_{element} (PSI) = Q (GPM) \times \frac{MSK}{1000} \left(\frac{PSI}{GPM} \right) \times \nu (SUS) \times \frac{\rho}{0.876} \left(\frac{kg}{dm^3} \right)$$

For ease of calculation our Filter Selection tool is available online at www.eaton.com/hydraulic-filter-evaluation

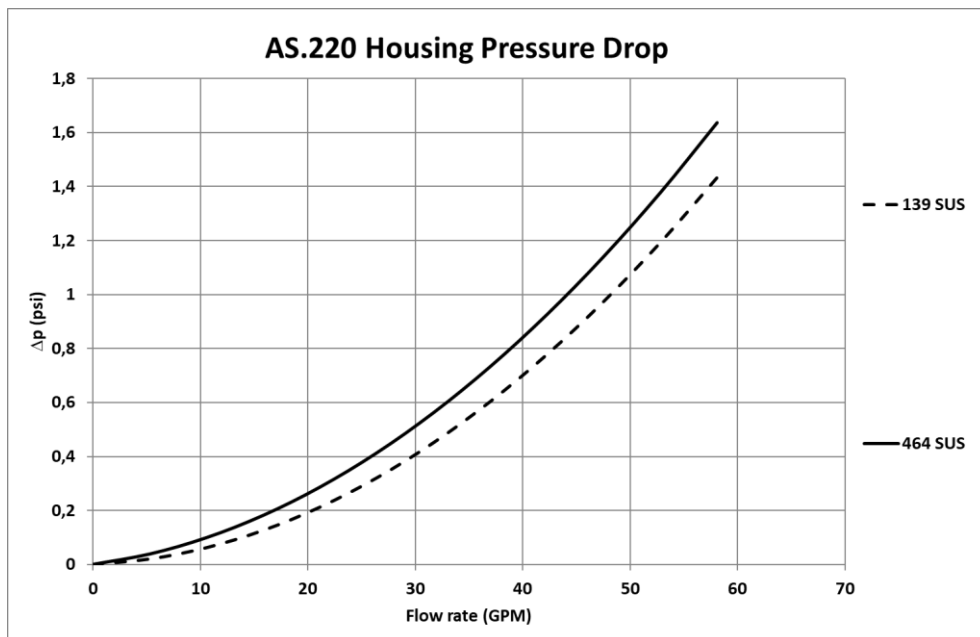
Material gradient coefficients (MSK) for filter elements

The material gradient coefficients in mbar/(l/min) apply to mineral oil (HLP) with a density of 0.876 kg/dm³ and a kinematic viscosity of 139 SUS (30 mm²/s). The pressure drop changes proportionally to the change in kinematic viscosity and density.

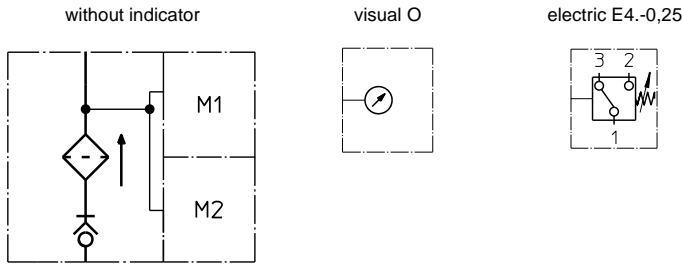
AS 220	40G
	0.0491

$\Delta p = f(Q)$ – characteristics according to ISO 3968

The pressure drop characteristics apply to mineral oil (HLP) with a density of 0.876 kg/dm³. The pressure drop changes proportionally to the density.



Symbols:



Spare parts:

item	qty.	designation	dimensions	article-no.	
1	1	filter element	01AS.220...		
2	1	O-ring	75 x 3	302215 (NBR)	304729 (FPM)
3	1	O-ring	88 x 3	304417 (NBR)	310266 (FPM)
4	1	O-ring	96 x 4	305190 (NBR)	308148 (FPM)
5	1	O-ring	78 x 3,5	311610 (NBR)	314696 (FPM)
6	1	sliding ring	20165-4	305194	
7	1	gasket	0.079 thick	305135	
8	1	sliding washer	20164-4	305199	
9	2	screw plug	BSPP 1/2	309730	
10	2	gasket	A 21 x 26	309815	
11	1	clogging indicator, visual	O1	301722	
12	1	pressure switch, electric	E4.-0,25	301725	

Test methods:

Filter elements are tested according to the following ISO standards:

ISO 2941	Verification of collapse/burst resistance
ISO 2942	Verification of fabrication integrity
ISO 2943	Verification of material compatibility with fluids
ISO 3723	Method for end load test
ISO 3724	Verification of flow fatigue characteristics
ISO 3968	Evaluation of pressure drop versus flow characteristics
ISO 16889	Multi-pass method for evaluating filtration performance

North America
 44 Apple Street
 Tinton Falls, NJ 07724
 Toll Free: 800 656-3344
 (North America only)
 Tel: +1 732 212-4700

Europe/Africa/Middle East
 Auf der Heide 2
 53947 Nettersheim, Germany
 Tel: +49 2486 809-0

Friedensstraße 41
 68804 Altlußheim, Germany
 Tel: +49 6205 2094-0

An den Nahewiesen 24
 55450 Langenlonsheim, Germany
 Tel: +49 6704 204-0

Greater China
 No. 7, Lane 280,
 Linhong Road
 Changning District, 200335
 Shanghai, P.R. China
 Tel: +86 21 5200-0099

Asia-Pacific
 100G Pasir Panjang Road
 #07-08 Interlocal Centre
 Singapore 118523
 Tel: +65 6825-1668

**For more information, please
 email us at filtration@eaton.com
 or visit www.eaton.com/filtration**

© 2021 Eaton. All rights reserved. All trademarks and registered trademarks are the property of their respective owners. All information and recommendations appearing in this brochure concerning the use of products described herein are based on tests believed to be reliable. However, it is the user's responsibility to determine the suitability for his own use of such products. Since the actual use by others is beyond our control, no guarantee, expressed or implied, is made by Eaton as to the effects of such use or the results to be obtained. Eaton assumes no liability arising out of the use by others of such products. Nor is the information herein to be construed as absolutely complete, since additional information may be necessary or desirable when particular or exceptional conditions or circumstances exist or because of applicable laws or government regulations.