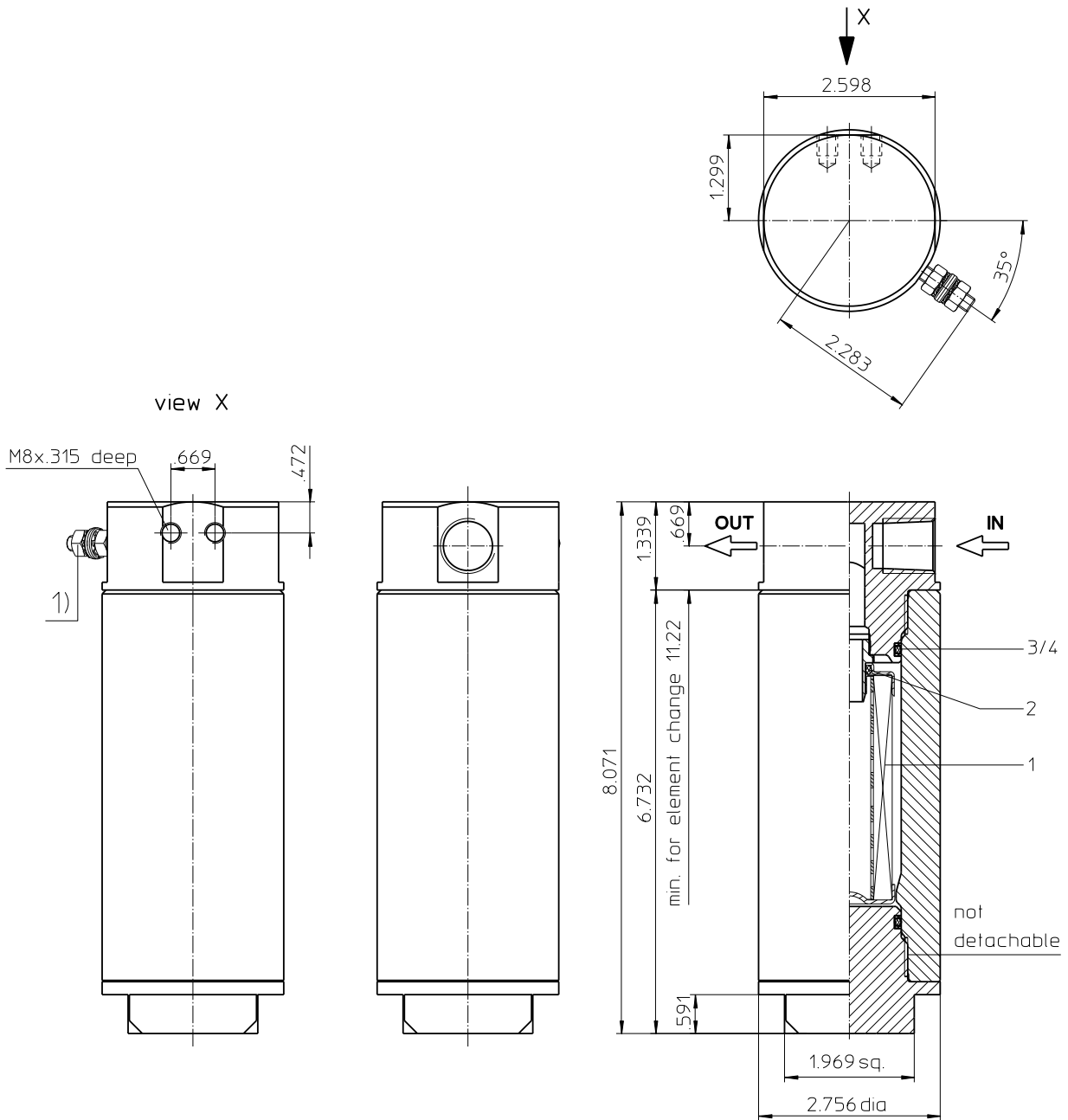


# Series EHP 31

## 11600/20300 PSI



Weight: approx. 13 lbs.

Dimensions: inches

Designs and performance values are subject to change.

# Stainless Steel-Pressure Filter Series EHP 31 11600/20300 PSI

## Description:

Stainless steel pressure filter series EHP 31 have a working pressure up to 11600 or 20300 PSI. Pressure peaks can be absorbed with a sufficient safety margin. The EHP-filter is in-line mounted.

The filter element consists of star-shaped, pleated filter material, which is supported on the inside by a perforated core tube and is bonded to the end caps with a high-quality adhesive. The flow direction is from outside to inside. Filter elements are available down to 5  $\mu\text{m}_{(c)}$ . Finer filtration is available upon request.

Eaton filter elements are known for high intrinsic stability and an excellent filtration capability, a high dirt-retaining capacity and a long service life.

Eaton filter elements are available up to a pressure resistance of  $\Delta p$  2320 PSI and a rupture strength of  $\Delta p$  3625 PSI.

Eaton filter can be used for petroleum-based fluids, HW emulsions, water glycols, most synthetic fluids and lubrication fluids. Consult factory for specific fluid applications.

The internal valve is integrated into the filter head. After reaching the bypass pressure setting, the bypass valve will send unfiltered partial flow around the filter.

## Type index:

### Complete filter: (ordering example)

**EHP. 31. 10VG. HR. E. P. VA. NPT. 3. -. VA. 800**

1	2	3	4	5	6	7	8	9	10	11	12
---	---	---	---	---	---	---	---	---	----	----	----

- 1 series:**  
EHP = stainless steel-pressure filter
- 2 nominal size:** 31
- 3 filter-material:**  
80G, 40G, 25G, stainless steel wire mesh  
25VG, 16VG, 10VG, 6VG, 3VG microglass
- 4 filter element collapse rating:**  
30 =  $\Delta p$  435 PSI  
HR =  $\Delta p$  2320 PSI (rupture strength  $\Delta p$  3625 PSI)
- 5 filter element design:**  
E = single-end open
- 6 sealing material:**  
P = Nitrile (NBR)  
V = Viton (FPM)
- 7 filter element specification:**  
- = standard  
VA = stainless steel  
IS06 = for HFC application, see sheet-no. 31601
- 8 process connection:**  
UG2 = autoclave medium pressure  
NPT = thread connection
- 9 process connection size:**  
2 = MP 3/8" (9/16"-18UNF)  
3 = NPT 1/2"
- 10 internal valve:**  
- = without  
S1 = with by-pass valve  $\Delta p$  51 PSI  
S2 = with by-pass valve  $\Delta p$  102 PSI
- 11 filter housing specification:**  
VA = stainless steel
- 12 pressure level:**  
800 = max. operating pressure 11600 PSI  
1400 = max. operating pressure 20300 PSI

### Filter element: (ordering example)

**01E. 30. 10VG. HR. E. P. VA**

1	2	3	4	5	6	7
---	---	---	---	---	---	---

- 1 series:**  
01E. = filter element according to company standard
- 2 nominal size:** 30
- 3 - 7** see type index-complete filter

## Technical data:

operating temperature:	+14 °F to +212 °F				
operating medium:	mineral oil, other media on request				
max. operating pressure:	<table border="1"><tr><td>11600 PSI</td><td>20300 PSI</td></tr></table>	11600 PSI	20300 PSI		
11600 PSI	20300 PSI				
test pressure:	<table border="1"><tr><td>16600 PSI</td><td>29000 PSI</td></tr></table>	16600 PSI	29000 PSI		
16600 PSI	29000 PSI				
process connection:	thread connection				
housing material:	<table border="1"><tr><td>EN10088-3 - 1.4462</td><td>11600 PSI</td></tr><tr><td>EN10088-3 - 1.4418 + QT900</td><td>20300 PSI</td></tr></table>	EN10088-3 - 1.4462	11600 PSI	EN10088-3 - 1.4418 + QT900	20300 PSI
EN10088-3 - 1.4462	11600 PSI				
EN10088-3 - 1.4418 + QT900	20300 PSI				
sealing material:	Nitrile (NBR) or Viton (FPM), other materials on request				
installation position:	vertical				
volume tank:	.03 Gal.				

Pressure stage 11600: Classified under the Pressure Equipment Directive 2014/68/EU for mineral oil (fluid group 2), Article 4, Para. 3.  
 Pressure stage 20300: Classified under the Pressure Equipment Directive 2014/68/EU for mineral oil (fluid group 2), Category I (Modul A)  
 Classified under ATEX Directive 2014/34/EU according to specific application (see questionnaire sheet-no. 34279-4).

## Pressure drop flow curves:

### Filter calculation/sizing

The pressure drop of the assembly at a given flow rate Q is the sum of the housing  $\Delta p$  and the element  $\Delta p$  and is calculated as follows:

$$\Delta p_{assembly} = \Delta p_{housing} + \Delta p_{element}$$

$$\Delta p_{housing} = (\text{see } \Delta p = f(Q) - \text{characteristics})$$

$$\Delta p_{element} (PSI) = Q (GPM) \times \frac{MSK}{1000} \left( \frac{PSI}{GPM} \right) \times v(SUS) \times \frac{\rho}{0.876} \left( \frac{kg}{dm^3} \right)$$

For ease of calculation our Filter Selection tool is available online at [www.eaton.com/hydraulic-filter-evaluation](http://www.eaton.com/hydraulic-filter-evaluation)

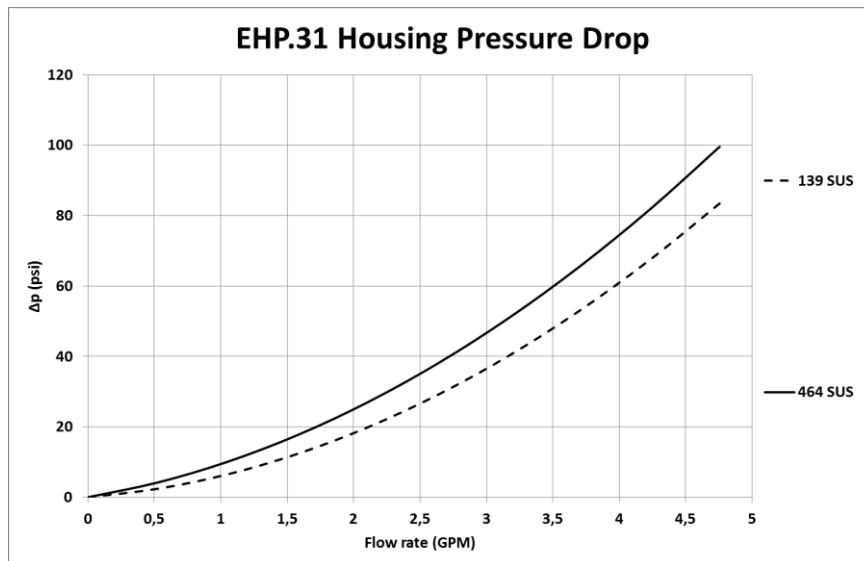
### Material gradient coefficients (MSK) for filter elements

The material gradient coefficients in psi/gpm apply to mineral oil (HLP) with a density of 0.876 kg/dm<sup>3</sup> and a kinematic viscosity of 139 SUS (30 mm<sup>2</sup>/s). The pressure drop changes proportionally to the change in kinematic viscosity and density.

EHP	VG					G		
	3VG	6VG	10VG	16VG	25VG	25G	40G	80G
31	12.554	8.716	5.580	4.794	3.275	0.2539	0.2369	0.1623

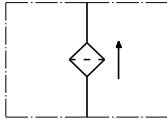
### $\Delta p = f(Q)$ – characteristics according to ISO 3968

The pressure drop characteristics apply to mineral oil (HLP) with a density of 0.876 kg/dm<sup>3</sup>. The pressure drop changes proportionally to the density.

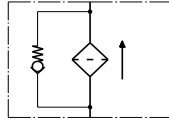


## Symbols:

filter without by-pass valve



filter with by-pass valve



## Spare parts:

item	qty.	designation	dimension	article-no.	
1	1	filer element	01E.30...		
2	1	O-ring	11 x 3	312603 (NBR)	312727 (FPM)
3	1	O-ring	34 x 3	330601 (NBR)	340165 (FPM)
4	2	support ring	40 x 2,6 x 1	330602	

## Test methods:

Filter elements are tested according to the following ISO standards:

ISO 2941	Verification of collapse/burst resistance
ISO 2942	Verification of fabrication integrity
ISO 2943	Verification of material compatibility with fluids
ISO 3723	Method for end load test
ISO 3724	Verification of flow fatigue characteristics
ISO 3968	Evaluation of pressure drop versus flow characteristics
ISO 16889	Multi-pass method for evaluating filtration performance

**North America**  
 44 Apple Street  
 Tinton Falls, NJ 07724  
 Toll Free: 800 656-3344  
 (North America only)  
 Tel: +1 732 212-4700

**Greater China**  
 No. 7, Lane 280,  
 Linhong Road  
 Changning District, 200335  
 Shanghai, P.R. China  
 Tel: +86 21 5200-0099

**Europe/Africa/Middle East**  
 Auf der Heide 2  
 53947 Nettersheim, Germany  
 Tel: +49 2486 809-0

**Asia-Pacific**  
 100G Pasir Panjang Road  
 #07-08 Interlocal Centre  
 Singapore 118523  
 Tel: +65 6825-1668

Friedensstraße 41  
 68804 Altluisheim, Germany  
 Tel: +49 6205 2094-0

An den Nahewiesen 24  
 55450 Langenlonsheim, Germany  
 Tel: +49 6704 204-0

**For more information, please  
 email us at [filtration@eaton.com](mailto:filtration@eaton.com)  
 or visit [www.eaton.com/filtration](http://www.eaton.com/filtration)**

© 2021 Eaton. All rights reserved. All trademarks and registered trademarks are the property of their respective owners. All information and recommendations appearing in this brochure concerning the use of products described herein are based on tests believed to be reliable. However, it is the user's responsibility to determine the suitability for his own use of such products. Since the actual use by others is beyond our control, no guarantee, expressed or implied, is made by Eaton as to the effects of such use or the results to be obtained. Eaton assumes no liability arising out of the use by others of such products. Nor is the information herein to be construed as absolutely complete, since additional information may be necessary or desirable when particular or exceptional conditions or circumstances exist or because of applicable laws or government regulations.