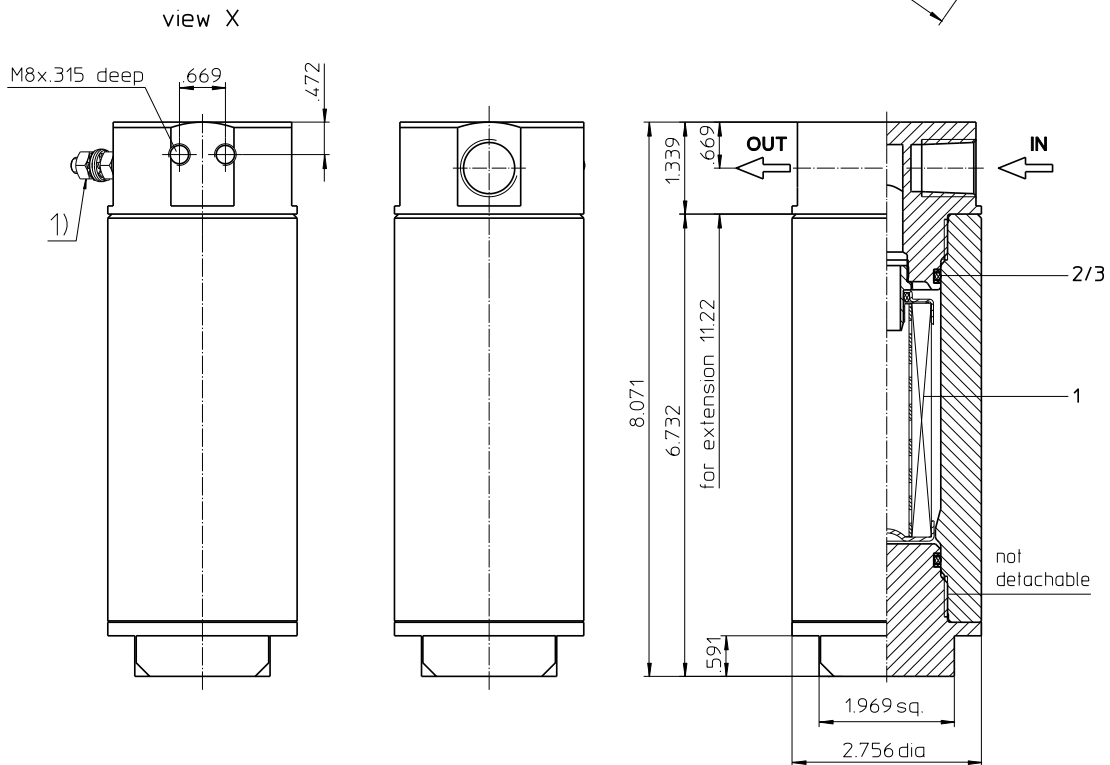
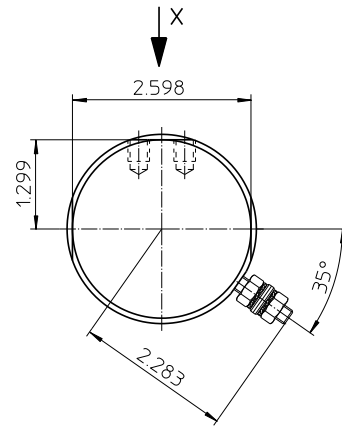


Series EHP 31

11600/20300 PSI

2) Connection for the potential equalization, only for application in the explosive area.



Weight: approx. 13 lbs.

Dimensions: inches

Designs and performance values are subject to change.

Stainless Steel-Pressure Filter Series EHP 31 11600/20300 PSI

Description:

Stainless steel pressure filter series EHP 31 have a working pressure up to 11600 or 20300 PSI. Pressure peaks can be absorbed with a sufficient safety margin. The EHP-filter is in-line mounted.

The filter element consists of star-shaped, pleated filter material, which is supported on the inside by a perforated core tube and is bonded to the end caps with a high-quality adhesive. The flow direction is from outside to inside. Filter elements are available down to 5 $\mu\text{m}_{(c)}$. Finer filtration is available upon request.

Eaton filter elements are known for high intrinsic stability and an excellent filtration capability, a high dirt-retaining capacity and a long service life.

Eaton filter elements are available up to a pressure resistance of Δp 2320 PSI and a rupture strength of Δp 3625 PSI.

Eaton filter can be used for petroleum-based fluids, HW emulsions, water glycols, most synthetic fluids and lubrication fluids. Consult factory for specific fluid applications.

The internal valve is integrated into the filter head. After reaching the bypass pressure setting, the bypass valve will send unfiltered partial flow around the filter.

Type index:

Complete filter: (ordering example)

EHP. 31. 10VG. HR. E. P. VA. NPT. 3. -. VA. 800

1	2	3	4	5	6	7	8	9	10	11	12
---	---	---	---	---	---	---	---	---	----	----	----

- 1 | series:**
EHP = stainless steel-pressure filter
- 2 | nominal size:** 31
- 3 | filter-material:**
80G, 40G, 25G , stainless steel wire mesh
25VG, 16VG, 10VG, 6VG, 3VG microglass
- 4 | filter element collapse rating:**
30 = Δp 435 PSI
HR = Δp 2320 PSI (rupture strength Δp 3625 PSI)
- 5 | filter element design:**
E = single-end open
- 6 | sealing material:**
P = Nitrile (NBR)
V = Viton (FPM)
- 7 | filter element specification:**
- = standard
VA = stainless steel
IS06 = for HFC application, see sheet-no. 31601
- 8 | process connection:**
UG2 = autoclave medium pressure
NPT = thread connection
- 9 | process connection size:**
2 = MP 3/8" (9/16"-18UNF)
3 = NPT 1/2
- 10 | internal valve:**
- = without
S1 = with by-pass valve Δp 51 PSI
S2 = with by-pass valve Δp 102 PSI
- 11 | filter housing specification:**
VA = stainless steel
- 12 | pressure level:**
800 = max. operating pressure 11600 PSI
1400 = max. operating pressure 20300 PSI

Filter element: (ordering example)

01E. 30. 10VG. HR. E. P. VA

1	2	3	4	5	6	7
---	---	---	---	---	---	---

- 1 | series:**
01E. = filter element according to company standard
- 2 | nominal size:** 30
- 3 | - 7 |** see type index-complete filter

Technical data:

operating temperature:	+14 °F to +212 °F
operating medium:	mineral oil, other media on request
max. operating pressure:	11600 PSI 20300 PSI
test pressure:	16600 PSI 29000 PSI
process connection:	thread connection
housing material:	EN10088-3 - 1.4462 11600 PSI
	EN10088-3 - 1.4418 + QT900 20300 PSI
sealing material:	Nitrile (NBR) or Viton (FPM), other materials on request
installation position:	vertical
volume tank:	.03 Gal.

Pressure stage 11600: Classified under the Pressure Equipment Directive 2014/68/EU for mineral oil (fluid group 2), Article 4, Para. 3.
 Pressure stage 20300: Classified under the Pressure Equipment Directive 2014/68/EU for mineral oil (fluid group 2), Category I (Modul A)
 Classified under ATEX Directive 2014/34/EU according to specific application (see questionnaire sheet-no. 34279-4).

Pressure drop flow curves:

Filter calculation/sizing

The pressure drop of the assembly at a given flow rate Q is the sum of the housing Δp and the element Δp and is calculated as follows:

$$\Delta p_{assembly} = \Delta p_{housing} + \Delta p_{element}$$

$$\Delta p_{housing} = (\text{see } \Delta p = f(Q) - \text{characteristics})$$

$$\Delta p_{element} (PSI) = Q (GPM) \times \frac{MSK}{1000} \left(\frac{PSI}{GPM} \right) \times \nu (SUS) \times \frac{\rho}{0.876} \left(\frac{kg}{dm^3} \right)$$

For ease of calculation our Filter Selection tool is available online at www.eaton.com/hydraulic-filter-evaluation

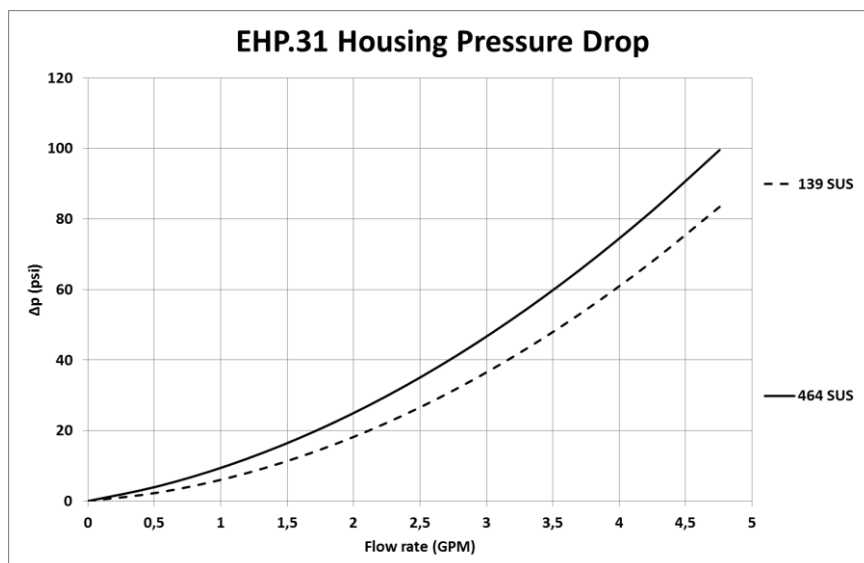
Material gradient coefficients (MSK) for filter elements

The material gradient coefficients in psi/gpm apply to mineral oil (HLP) with a density of 0.876 kg/dm³ and a kinematic viscosity of 139 SUS (30 mm²/s). The pressure drop changes proportionally to the change in kinematic viscosity and density.

EHP	VG					G		
	3VG	6VG	10VG	16VG	25VG	25G	40G	80G
31	12.554	8.716	5.580	4.794	3.275	0.2539	0.2369	0.1623

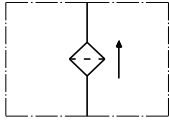
$\Delta p = f(Q)$ – characteristics according to ISO 3968

The pressure drop characteristics apply to mineral oil (HLP) with a density of 0.876 kg/dm³. The pressure drop changes proportionally to the density.

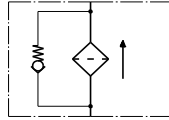


Symbols:

filter without by-pass valve



filter with by-pass valve



Spare parts:

item	qty.	designation	dimension	article-no.
1	1	filter element	01E.30....	
2	1	O-ring	34 x 3	330601 (NBR) 340165 (FPM)
3	2	support ring	40 x 2,6 x 1	330602

Test methods:

Filter elements are tested according to the following ISO standards:

ISO 2941	Verification of collapse/burst resistance
ISO 2942	Verification of fabrication integrity
ISO 2943	Verification of material compatibility with fluids
ISO 3723	Method for end load test
ISO 3724	Verification of flow fatigue characteristics
ISO 3968	Evaluation of pressure drop versus flow characteristics
ISO 16889	Multi-pass method for evaluating filtration performance

North America
 18684 Lake Drive East
 Chanhassen, MN 55317
 Toll Free: +1 800-656-3344
 (North America only)
 Tel: +1 732-212-4700

Greater China
 No. 7, Lane 280,
 Linhong Road
 Changning District, 200335
 Shanghai, P.R. China
 Tel: +86 21 2899-3687

Europe/Africa/Middle East
 Auf der Heide 2
 53947 Nettersheim, Germany
 Tel: +49 2486 809-0

Friedensstraße 41
 68804 Altlußheim, Germany
 Tel: +49 6205 2094-0

An den Nahewiesen 24
 55450 Langenlonsheim, Germany
 Tel: +49 6704 204-0

Asia-Pacific
 100G Pasir Panjang Road
 #07-08 Interlocal Centre
 Singapore 118523
 Tel: +65 6825-1620

**For more information, please
 email us at filtration@eaton.com
 or visit www.eaton.com/filtration**

© 2024 Eaton. All rights reserved. All trademarks and registered trademarks are the property of their respective owners. All information and recommendations appearing in this brochure concerning the use of products described herein are based on tests believed to be reliable. However, it is the user's responsibility to determine the suitability for his own use of such products. Since the actual use by others is beyond our control, no guarantee, expressed or implied, is made by Eaton as to the effects of such use or the results to be obtained. Eaton assumes no liability arising out of the use by others of such products. Nor is the information herein to be construed as absolutely complete, since additional information may be necessary or desirable when particular or exceptional conditions or circumstances exist or because of applicable laws or government regulations.