

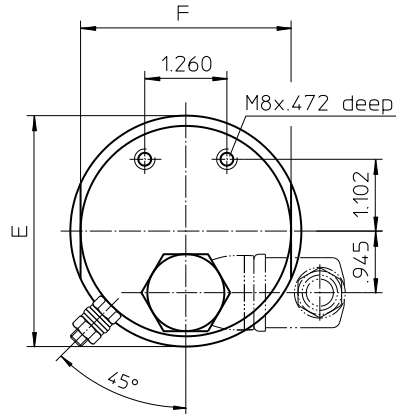
# Series EH 60-150

## 6000 PSI

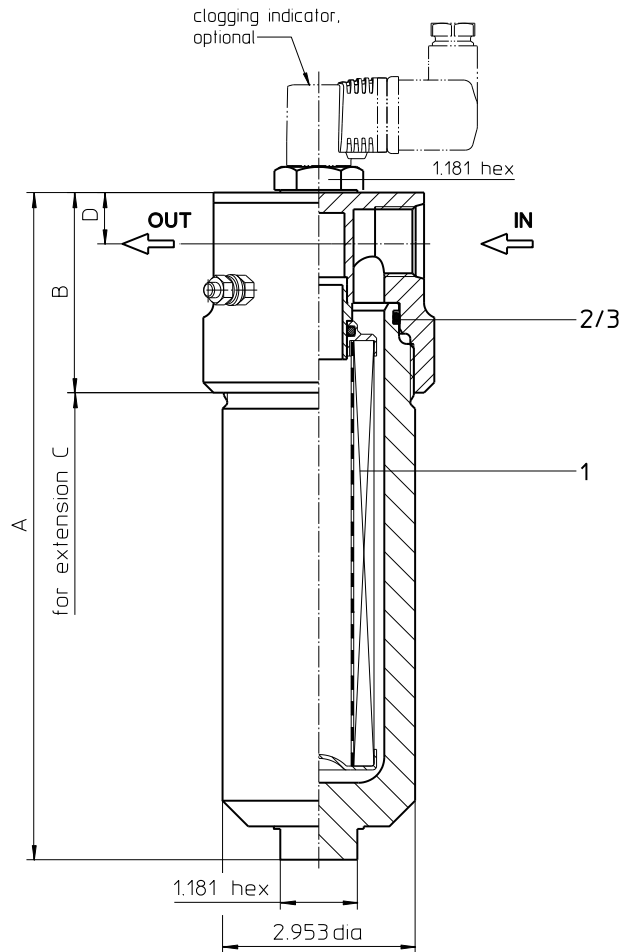
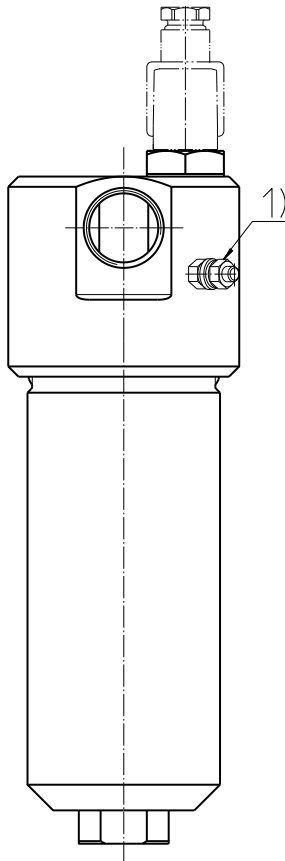
**Dimensions:**

type	EH 60	EH 90	EH 150
connection	-8 SAE or NPT 1/2"	-12 SAE or NPT 3/4"	-16 SAE or NPT 1"
A	7.67	10.23	14.56
B	3.07	3.07	3.30
C	8.46	11.02	15.35
D	.78	.78	.90
E	3.54	3.54	3.74
F	3.22	3.22	3lbs.
weight lbs.	13	16	20
volume tank	.08 Gal.	.10 Gal.	.16 Gal.

Connection assignments as shown in the table are standard.  
To exchange connections see item 9 in the type index.



- 1) Connection for the potential equalization, only for application in the explosive area.



# Pressure Filter

## Series EH 60-150

### 4568 PSI

#### Description:

Stainless steel-pressure filter series EH 60-150 have a working pressure up to 6000 PSI. Pressure peaks can be absorbed with a sufficient safety margin. The EH-filter is in-line mounted.

The filter element consists of star-shaped, pleated filter material, which is supported on the inside by a perforated core tube and is bonded to the end caps with a high-quality adhesive. The flow direction is from outside to inside. Filter elements are available down to 5  $\mu\text{m}_{(c)}$ .

Eaton filter elements are known for high intrinsic stability and an excellent filtration capability, a high dirt-retaining capacity and a long service life.

Eaton filter elements are available up to a pressure resistance of  $\Delta p$  2320 PSI and a rupture strength of  $\Delta p$  3625 PSI.

Eaton filter are suitable for all petroleum based fluids, HW-emulsions, most synthetic hydraulic fluids and lubrication oils.

The internal valve is integrated into the filter head. After reaching the bypass pressure setting, the bypass valve will send unfiltered partial flow around the filter.

The reversing valve provides another level of protection for the filter element. The reverse flow will not be filtered.

## 1. Type index:

### 1.1. Complete filter: (ordering example)

<b>EH. 90. 10VG. HR. E. P. VA. UG. 4. VA. - . - . AE</b>												
1	2	3	4	5	6	7	8	9	10	11	12	13

- 1 series:**  
EH = stainless steel-pressure filter
- 2 nominal size:** 60, 90, 150
- 3 filter-material:**  
80G, 40G, 25G stainless steel wire mesh  
25VG, 16VG, 10VG, 6VG, 3VG microglass
- 4 filter element collapse rating:**  
30 =  $\Delta p$  435 PSI  
HR =  $\Delta p$  2320 PSI (rupture strength  $\Delta p$  3625 PSI)
- 5 filter element design:**  
E = single-end open
- 6 sealing material:**  
P = Nitrile (NBR)  
V = Viton (FPM)
- 7 filter element specification:**  
- = standard  
VA = stainless steel
- 8 process connection:**  
UG = thread connection  
NPT = thread connection according to ANSI B1.20.1
- 9 process connection size:**  
3 = -8 SAE or NPT 1/2"  
4 = -12 SAE or NPT 3/4"  
5 = -16 SAE or NPT 1"
- 10 filter housing specification:**  
VA = stainless steel
- 11 specification pressure vessel:**  
- = standard (PED 2014/68/EU)  
IS20 = ASME VIII Div.1 with ASME equivalent material, see sheet-no. 55217 (max. operating pressure 4060 PSI)
- 12 internal valve:**  
- = without  
S1 = with by-pass valve  $\Delta p$  51 PSI  
S2 = with by-pass valve  $\Delta p$  102 PSI  
R = reversing valve,  $Q \leq 18.50$  GPM
- 13 clogging indicator or clogging sensor:**  
- = without  
AOR = visual, see sheet-no. 1606  
AOC = visual, see sheet-no. 1606  
AE = visual-electric, see sheet-no. 1615  
VS5 = electronic, see sheet-no. 1619

To add an indicator/sensor to your filter, use the corresponding indicator data sheet to find the indicator details and add them to the filter assembly model code.

### 1.2. Filter element: (ordering example)

<b>01E. 90. 10VG. HR. E. P. VA</b>						
1	2	3	4	5	6	7

- 1 series:**  
01E. = filter element according to company standard
- 2 nominal size:** 60, 90, 150
- 3 - 7** see type index-complete filter

## Technical data:

operating temperature:	14 °F to +212 °F
operating medium	mineral oil, other media on request
max. operating pressure:	6000 PSI
test pressure:	8700 PSI
max. operating pressure at IS20:	4060 PSI
test pressure at IS20:	5278 PSI
process connection:	manifold mounted
housing material:	EN10088-1.4571 (316 Ti according to AISI)
sealing material:	Nitrile (NBR) or Viton (FPM), other materials on request
installation position:	vertical

Classified under the Pressure Equipment Directive 2014/68/EU for mineral oil (fluid group 2), Article 4, Para. 3.  
 Classified under ATEX Directive 2014/34/EU according to specific application (see questionnaire sheet-no. 34279-4).

## Pressure drop flow curves:

### Filter calculation/sizing

The pressure drop of the assembly at a given flow rate Q is the sum of the housing  $\Delta p$  and the element  $\Delta p$  and is calculated as follows:

$$\Delta p_{assembly} = \Delta p_{housing} + \Delta p_{element}$$

$$\Delta p_{housing} = (\text{see } \Delta p = f(Q) \text{ - characteristics})$$

$$\Delta p_{element} (PSI) = Q (GPM) \times \frac{MSK}{1000} \left( \frac{PSI}{GPM} \right) \times \nu (SUS) \times \frac{\rho}{0.876} \left( \frac{kg}{dm^3} \right)$$

For ease of calculation our Filter Selection tool is available online at [www.eaton.com/hydraulic-filter-evaluation](http://www.eaton.com/hydraulic-filter-evaluation)

### Material gradient coefficients (MSK) for filter elements

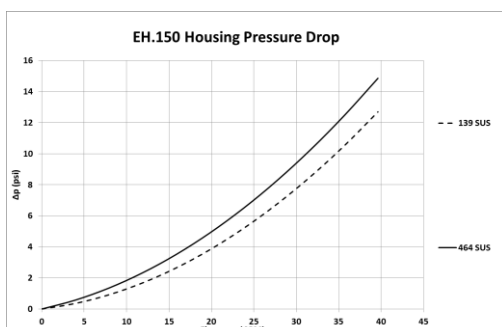
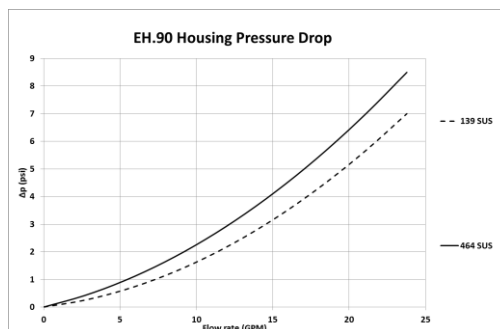
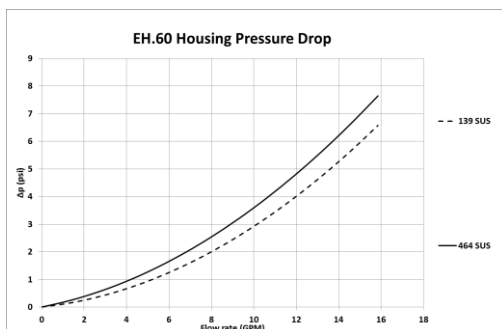
The material gradient coefficients in psi/gpm apply to mineral oil (HLP) with a density of 0.876 kg/dm<sup>3</sup> and a kinematic viscosity of 139 SUS (30 mm<sup>2</sup>/s). The pressure drop changes proportionally to the change in kinematic viscosity and density.

EH	VG					G		
	3VG	6VG	10VG	16VG	25VG	25G	40G	80G
60	6.748	4.685	2.999	2.577	1.760	0.2002	0.1868	0.1280
90	4.059	2.818	1.804	1.550	1.059	0.1210	0.1130	0.0774
150	2.422	1.681	1.076	0.925	0.632	0.0723	0.0675	0.0462

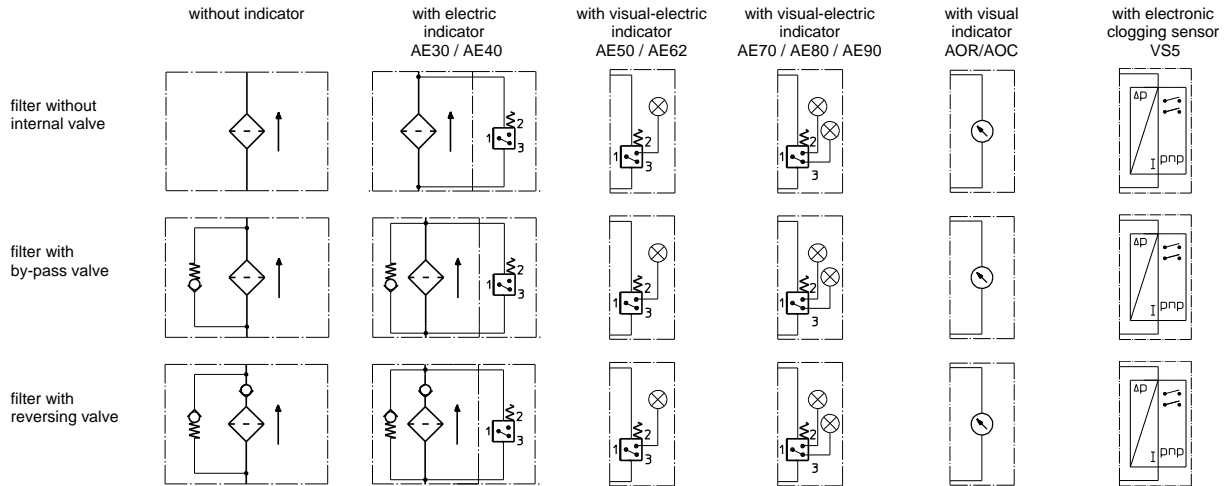
### $\Delta p = f(Q)$ – characteristics according to ISO 3968

The pressure drop characteristics apply to mineral oil (HLP) with a density of 0.876 kg/dm<sup>3</sup>. The pressure drop changes proportionally to the density.

\_\_\_ 139 SUS    \_\_\_ 464 SUS



## Symbols:



## Spare parts:

item	qty.	designation	dimension			article-no.	
			EH 60	EH 90	EH 150		
1	1	filter element	01E.60...	01E.90...	01E.150...		
2	1	O-ring	56 x 3			305072 (NBR)	305322 (FPM)
3	1	support ring	63 x 2,6 x 1			312309	

## Test methods:

Filter elements are tested according to the following ISO standards:

ISO 2941	Verification of collapse/burst resistance
ISO 2942	Verification of fabrication integrity
ISO 2943	Verification of material compatibility with fluids
ISO 3723	Method for end load test
ISO 3724	Verification of flow fatigue characteristics
ISO 3968	Evaluation of pressure drop versus flow characteristics
ISO 16889	Multi-pass method for evaluating filtration performance

**North America**  
18684 Lake Drive East  
Chanhassen, MN 55317  
Toll Free: +1 800-656-3344  
(North America only)  
Tel: +1 732-212-4700

**Greater China**  
No. 7, Lane 280,  
Linhong Road  
Changning District, 200335  
Shanghai, P.R. China  
Tel: +86 21 2899-3687

**Europe/Africa/Middle East**  
Auf der Heide 2  
53947 Nettersheim, Germany  
Tel: +49 2486 809-0

**Asia-Pacific**  
100G Pasir Panjang Road  
#07-08 Interlocal Centre  
Singapore 118523  
Tel: +65 6825-1620

Friedensstraße 41  
68804 Altlußheim, Germany  
Tel: +49 6205 2094-0  
An den Nahewiesen 24  
55450 Langenlonsheim, Germany  
Tel: +49 6704 204-0

**For more information, please  
email us at [filtration@eaton.com](mailto:filtration@eaton.com)  
or visit [www.eaton.com/filtration](http://www.eaton.com/filtration)**

© 2024 Eaton. All rights reserved. All trademarks and registered trademarks are the property of their respective owners. All information and recommendations appearing in this brochure concerning the use of products described herein are based on tests believed to be reliable. However, it is the user's responsibility to determine the suitability for his own use of such products. Since the actual use by others is beyond our control, no guarantee, expressed or implied, is made by Eaton as to the effects of such use or the results to be obtained. Eaton assumes no liability arising out of the use by others of such products. Nor is the information herein to be construed as absolutely complete, since additional information may be necessary or desirable when particular or exceptional conditions or circumstances exist or because of applicable laws or government regulations.