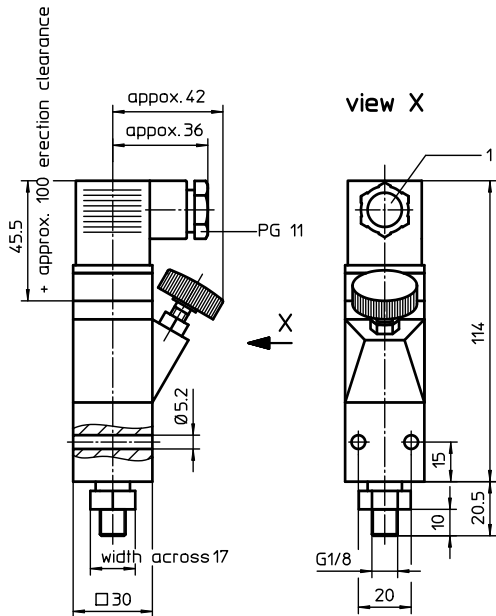
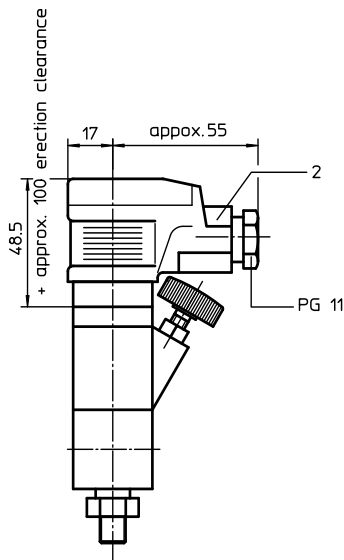


### Clogging indicator E6 ... GS



### Clogging indicator E6 ... SS3



### 1. Type index: (ordering example)

#### E 6. 1,5. GS

1	2	3
---	---	---

#### 1 series:

E6 = pressure switch, contact maker and contact breaker

#### 2 switching pressure:

1,5 = 1,5 bar  
2,5 = 2,5 bar

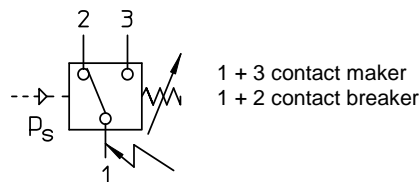
#### 3 connection:

GS = line adapter DIN 43650-A, three-channel plug  
SS3 = line adapter DIN 43650-A, three-channel plug with LED indication of switching position

### 2. Technical data:

max. pressure:	to 100 bar
temperature range:	- 20 °C to + 80 °C
type of protection:	IP 55
connection of cable:	PG 11
max. contact load with GS-line adapter:	U <sub>max</sub> = 250 V AC I <sub>max</sub> = 2 A P <sub>max</sub> = 500 VA
distribution voltage with SS3-line adapter:	U <sub>max</sub> = 24 V DC
max. contact load with SS3-line adapter:	I <sub>max</sub> = 2 A P <sub>max</sub> = 48 VA

### 3. Symbol:



### 4. Spare parts:

item	qty.	designation	dimension	article-no.
1	1	GS	DIN 43650-A	312492
2	1	SS3	DIN 43650-A	312478