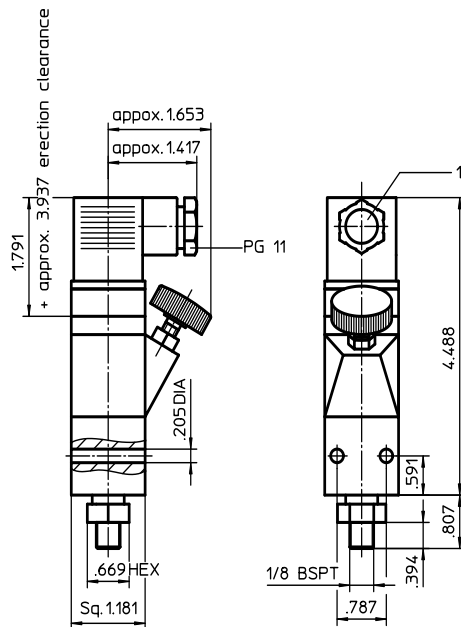


CLOGGING INDICATOR

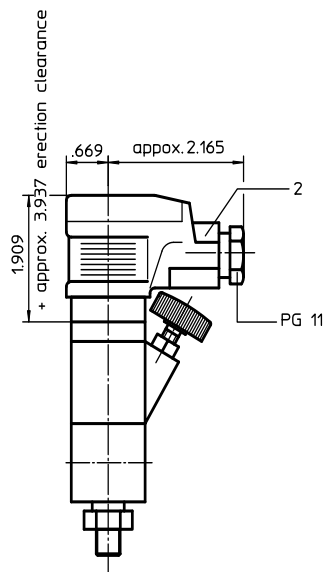
Series E6

Sheet No.
1600 B

Clogging indicator E6 ... GS



Clogging indicator E6 ... SS3



1. Type index: (ordering example)

E 6. 1,5. GS

1	2	3
---	---	---

1 series:

E6 = pressure switch, contact maker and contact breaker

2 switching pressure:

1,5 = 22 PSI

2,5 = 36 PSI

3 connection:

GS = line adapter DIN 43650-A, three-channel plug

SS3 = line adapter DIN 43650-A, three-channel plug with LED indication of switching position

2. Technical data:

max. pressure:

to 1450 PSI

temperature range:

- 4°F to + 176°F

type of protection:

IP 55

connection of cable:

PG 11

max. contact load with GS-line adapter:

$U_{max} = 250$ V AC

$I_{max} = 2$ A

$P_{max} = 500$ VA

distribution voltage with SS3-line adapter:

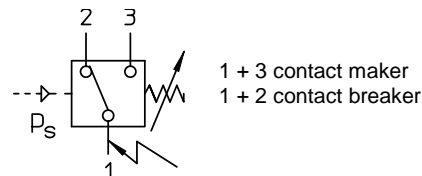
$U_{max} = 24$ V DC

max. contact load with SS3-line adapter:

$I_{max} = 2$ A

$P_{max} = 48$ VA

3. Symbol:



4. Spare parts:

item	qty.	designation	dimension	article-no.
1	1	GS	DIN 43650-A	312492
2	1	SS3	DIN 43650-A	312478