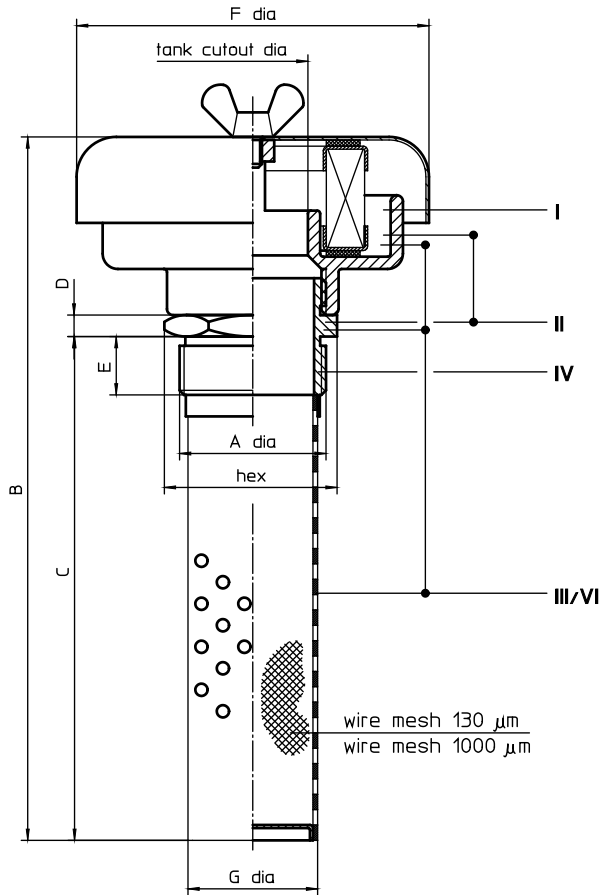


# BREATHER FILTER

## Series NBF 25-85, BF-WP 45-90

Sheet No.  
**6000 U**



### 1. Type index:

#### 1.1. Complete filter: (ordering example)

**NBF. 25. 3VL. B. P. G. 5. III. C**

1	2	3	4	5	6	7	8	9
---	---	---	---	---	---	---	---	---

- 1 **series:**  
NBF = breather filter
- 2 **nominal size:** 25, 40, 55, 85
- 3 **filter-material and filter-fineness:**  
10P = 10μm paper  
3VL = filtration efficiency D100 = 3
- 4 **filter element design:**  
B = bothsides open
- 5 **sealing material:**  
P = Nitrile (NBR); V = Viton (FPM), only for 3VL
- 6 **connection:**  
G = thread connection
- 7 **connection size:**  
5 = 1" BSPP; (size 25)      8 = 2" BSPP, (size 55)  
7 = 1 1/2" BSPP; (size 40)      A = 3" BSPP, (size 85)
- 8 **execution:**  
I = only air filter  
II = only air filter with double nipple  
III = complete as shown with filler filter 130 μm  
IV = only fill assembly, (fill screen with double nipple and cap)  
V = air filter with NPT adapter  
VI = complete as shown with filler filter 1000 μm
- 9 **tank weld coupling:**  
- = without  
C = with tank weld coupling (only for assemblies with clogging indicator consult factory)

#### 1.2. Filter element: (ordering example)

**01NBF. 25-40. 3VL. B. P      01NBF. 55-85. 3VL. B. P**

1	2	3	4	5	1	2	3	4	5
---	---	---	---	---	---	---	---	---	---

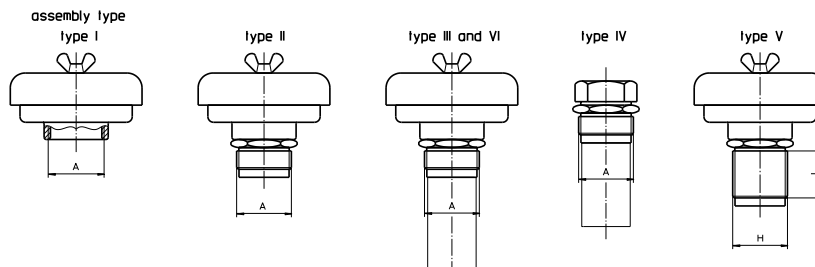
filter element for NBF 25-40

filter element for NBF 55-85

- 1 **series:**  
01NBF = breather filter element
- 2 **nominal size:** 25-40, 55-85
- 3 - 5 see type index-complete filter

### 2. Technical data/Performance:

type	air flow in GPM		type	air flow in GPM	
	3VL	10P		3VL	10P
NBF 25	120		NBF 55	480	
NBF 40	300		NBF 85	925	



### 3. Dimensions: inch

type	hex	A	tank cutout dia	B	C	D	E	F	G	H	I	weight lbs.
NBF 25	1.61	1" BSPP	1.62	7.32	4.72	.23	.70	4.52	1.10	1" NPT	1.50	1.76
NBF 40	2.16	1 1/2" BSPP	2.18	9.13	6.49	.27	.74	4.52	1.65	1 1/2" NPT	1.60	2.64
NBF 55	2.75	2" BSPP	2.62	13.07	9.05	.27	.94	7.48	2.12	2" NPT	2.13	5.50
NBF 85	3.94	3" BSPP	3.75	14.52	10.43	.35	1.14	7.48	3.22	3" NPT	2.25	5.60

EDV 02/22\_US

Designs and performance values are subject to change.

## Spin on-vent filter

### 1. Type index:

#### 1.1. Complete filter: (ordering example)

**BF-WP. 90. 10P. P. G. 7. III. C**

1	2	3	4	5	6	7	8
---	---	---	---	---	---	---	---

- 1 | **series:**  
BF-WP = spin on-vent filter
- 2 | **nominal size:** 45, 90
- 3 | **filter-material and filter-fineness:**  
10P = 10µm paper  
10VG = 10 µm<sub>(c)</sub> microglass
- 4 | **sealing material:**  
P = Nitrile (NBR)  
V = Viton (FPM)
- 5 | **connection:**  
G = thread connection
- 6 | **connection size:**  
5 = 1" BSPP; (size 45)  
7 = 1 ½" BSPP; (size 90)
- 7 | **execution:**  
I = only air filter  
II = only air filter with double nipple  
III = complete as shown with filler filter 130 µm  
VI = complete as shown with filler filter 1000 µm
- 8 | **tank weld coupling:**  
- = without  
C = with tank weld coupling (only for assemblies with clogging indicator consult factory)

#### 1.2. Filter element: (ordering example)

**01WP. 90. 10P. P**

1	2	3	4
---	---	---	---

- 1 | **series:**  
WP = spin-on cartridge
- 2 | - 4 | see type index-complete filter

### 2. Technical data:

type	air flow in GPM, Δp approx. 0,14 PSI	
	10P	10VG
BF-WP 45	106	17
BF-WP 90	198	37

### 3. Dimensions: inch

type	hex	A	A1	tank cutout DIA	B	C	D	E	F	G	weight lbs.
BF-WP 45	1.61	1" BSPP	¾" BSPP	1.62	13.18	4.72	5.70	.70	3.62	1.10	1.76
BF-WP 90	2.16	1 ½" BSPP	1 ¼" BSPP	2.18	16.14	6.49	6.88	.78	5.03	1.65	2.20

