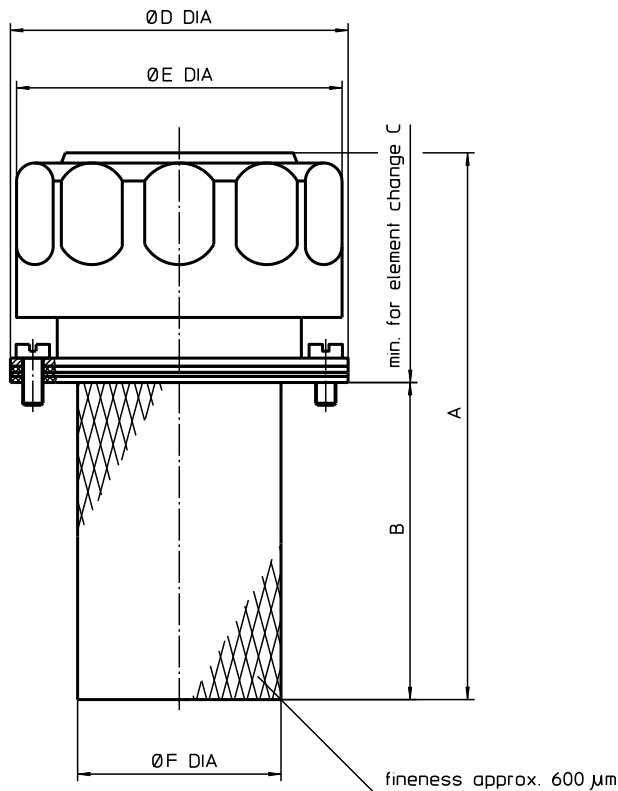


# BREATHER FILTER

## Series EBF 30 and 50 - Bayoner Design

Sheet No.  
**6002 F**



### 1. Type index:

#### 1.1. Complete filter: (ordering example)

**EBF. 50. 10P. V1**

1	2	3	4
---	---	---	---

**1 series:**

EBF = breather filter

**2 nominal size: 30, 50**

**3 filter-material and filter-fineness:**

10 P = 10 µm paper

**4 internal valve:**

- = without

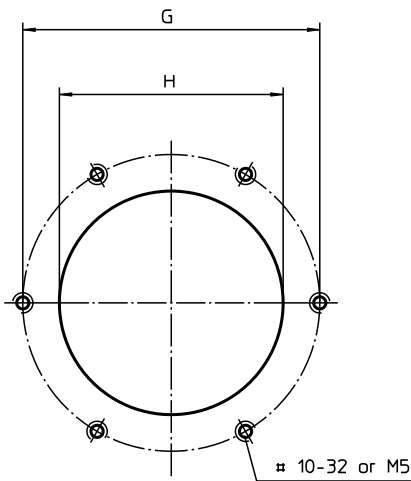
V1 = preload valve 5 PSI ± 10 %, only for nominal size 50 available

#### Material:

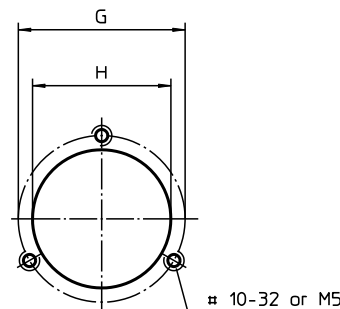
filter cap: steel, nickel plated

filter flange: steel, nickel plated

filter screen: steel, galvanized



reservoir cutout EBF 50



reservoir cutout EBF 30

### 2. Dimensions: inch

type	A	B	C	D	E	F	G	H	Q1	Q2	weight lbs.
EBF 30	4.37	2.48	3.14	2.04	1.81	1.14	1.61	1.34	52	80	.22
EBF 50	5.28	3.07	3.94	3.26	3.14	1.96	2.87	2.16	158	265	.66

Q1 = Gallon at Δp of .145 PSI

Q2 = Gallon at Δp of .435 PSI

EDV 08/12

Changes of measures and design are subject to alteration!