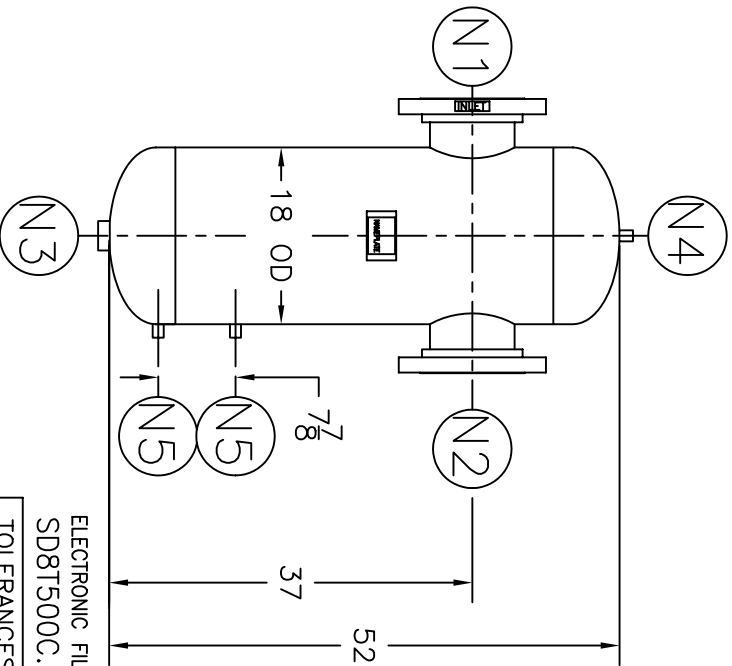
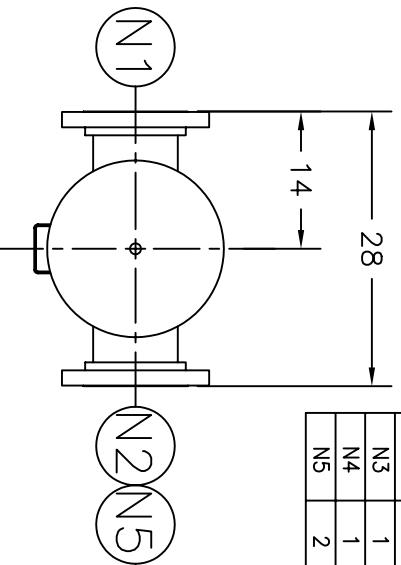


NOZZLE SCHEDULE			
ITEM	QTY.	NAME	DESCRIPTION
N1	1	INLET	8" - 300# FRSO ASME B16.5
N2	1	OUTLET	8" - 300# FRSO ASME B16.5
N3	1	DRAIN	2" NPT 3000# COUPLING
N4	1	VENT	1/2" NPT 3000# COUPLING
N5	2	W.G. CONNECTIONS	1/2" NPT 3000# COUPLING

REV	DATE	CHANGE	ECR	BY	APP
A	01/21/99	NEW ISSUE	7110	AB	DP
B	11/1/05	REVISED TITLE BLOCK	D507	FM	LH



NOTES:

1. UNITS ARE TO BE DESIGNED, FABRICATED, AND CODE STAMPED (IF REQUIRED) IN ACCORDANCE WITH ASME B & PV CODE, SECTION VIII, DIVISION 1 IN COMPLIANCE TO CURRENT PUBLISHED ADDENDA.
2. ALL DIMENSIONS ARE IN INCHES.
3. ALL BOLT HOLES ARE TO STRADDLE NATURAL CENTERLINES.
4. SHIPPING WEIGHT: 700 POUNDS.
5. DESIGN DATA:
 DESIGN PRESSURE- 500 PSIG
 DESIGN TEMPERATURE- 650° F
 MIN. DESIGN METAL TEMP.- -20° F @ 500 PSIG
 HYDROTEST PRESSURE- 750 PSIG
 CORROSION ALLOWANCE- 0 INCHES
6. MATERIAL: CARBON STEEL.

ELECTRONIC FILE NAME:
SD8T500C.DWG

TOLERANCES UNLESS OTHERWISE SPECIFIED
PER ENGINEERING STANDARD ES- --

UNAUTHORIZED USE, MANUFACTURE OR
REPRODUCTION IN WHOLE OR IN PART IS
PROHIBITED. DRAWING, DESIGN AND
OTHER DISCLOSURES PROPERTY OF
EATON FILTRATION, LLC



EATON FILTRATION, LLC
900 FAIRMOUNT AVENUE, ELIZABETH, NEW JERSEY 07207
NAME
**8" TYPE "T" GAS/LIQUID
SEPARATOR 300# FLG CSTL**

CUSTOMER:
REG. NO.:
P.O. NO.:
TAG NO.:
PART NO.: 8T500C

DRAWN	AB	DATE	01/21/99	CHECKED	DP	DATE	01/21/99	
APP	--	DATE	--	SCALE	NTS	ECR	7110	
SIZE	DWG	SD8T500C						REV
A	NO							B