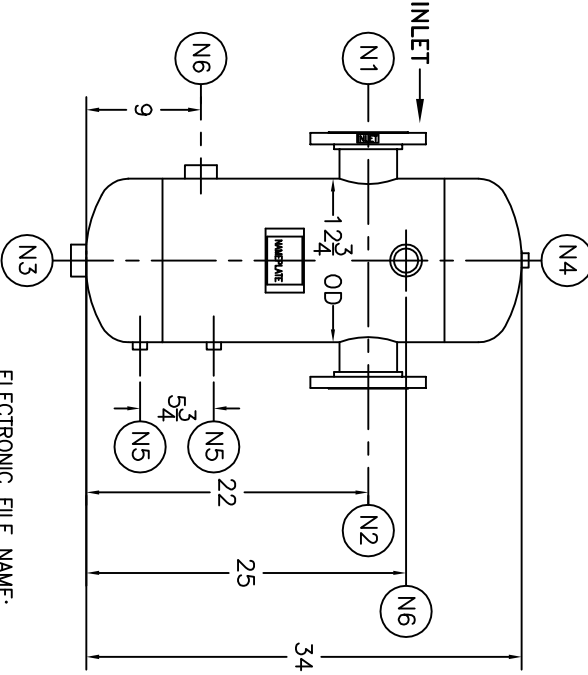
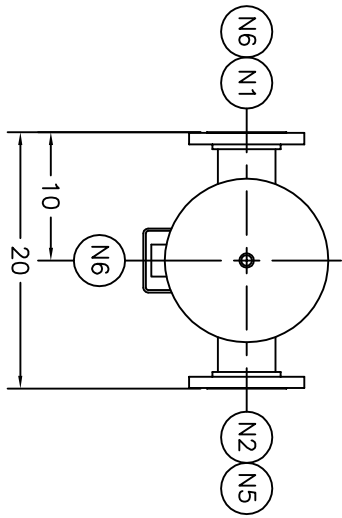


NOZZLE SCHEDULE		
ITEM	QTY.	NAME DESCRIPTION
N1	1	INLET 4" - 300# RESQ. B16.5 W/ XH PIPE
N2	1	OUTLET 4" - 300# RESQ. B16.5 W/ XH PIPE
N3	1	DRAIN 1-1/2" - NPT 3000# COUPLING
N4	1	VENT 1/2" - NPT 3000# COUPLING
N5	2	W.G. CONNS. 1/2" - NPT 3000# COUPLING
N6	2	INSPECTION 1-1/2" - NPT 3000# COUPLING W/ PLUG

REV	DATE	CHANGE	ECR	BY	APP
A	4/7/05	NEW RELEASE	D084	FM	LH
B	11/1/05	REVISED TITLE BLOCK	D507	FM	LH



NOTES:

1. UNITS ARE TO BE DESIGNED, FABRICATED AND "U" OR "UM" STAMPED (IF REQ'D) IN ACCORDANCE WITH ASME B & PV CODE, SECTION VIII, DIVISION 1 IN COMPLIANCE TO CURRENT PUBLISHED ADDENDA.
2. ALL DIMENSIONS ARE IN INCHES.
3. ALL BOLT HOLES ARE TO STRADDLE NATURAL CENTERLINES.
4. SHIPPING WEIGHT: 250 POUNDS
5. DESIGN DATA:
 DESIGN PRESSURE- 500 PSIG
 DESIGN TEMPERATURE- 650°F
 MIN. DESIGN METAL TEMP.- -20°F AT 500 PSIG
 HYDROTEST PRESSURE- 650 PSIG
 CORROSION ALLOWANCE- 0 INCHES
6. MATERIAL: CARBON STEEL

STANDARD

CUSTOMER:
 REG. NO.:
 P.O. NO.:
 TAG NO.:
 PART NO.: 4T500C ;4T500CU, & 4T500CM

ELECTRONIC FILE NAME:
 SD4T500C.DWG

TOLERANCES UNLESS OTHERWISE SPECIFIED
 PER ENGINEERING STANDARD ES- - -

UNAUTHORIZED USE, MANUFACTURE OR
 REPRODUCTION IN WHOLE OR IN PART IS
 PROHIBITED. DRAWING, DESIGN AND
 OTHER DISCLOSURES PROPERTY OF
 EATON FILTRATION, LLC

		EATON FILTRATION, LLC 900 FAIRMOUNT AVENUE, ELIZABETH, NEW JERSEY 07207						
		4" TYPE "T" GAS/LIQUID SEPARATOR, 300# FLG. CS						
DRAWN	FM	DATE	4/7/05	CHECKED	ABN	DATE	4/7/05	
APP	LH	DATE	4/7/05	SCALE	NTS	ECR	D084	
SIZE	DWG NO		SD4T500C		REV			B